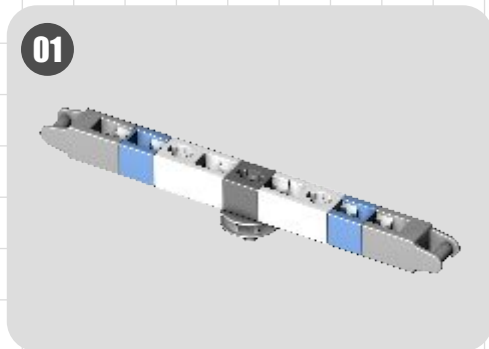
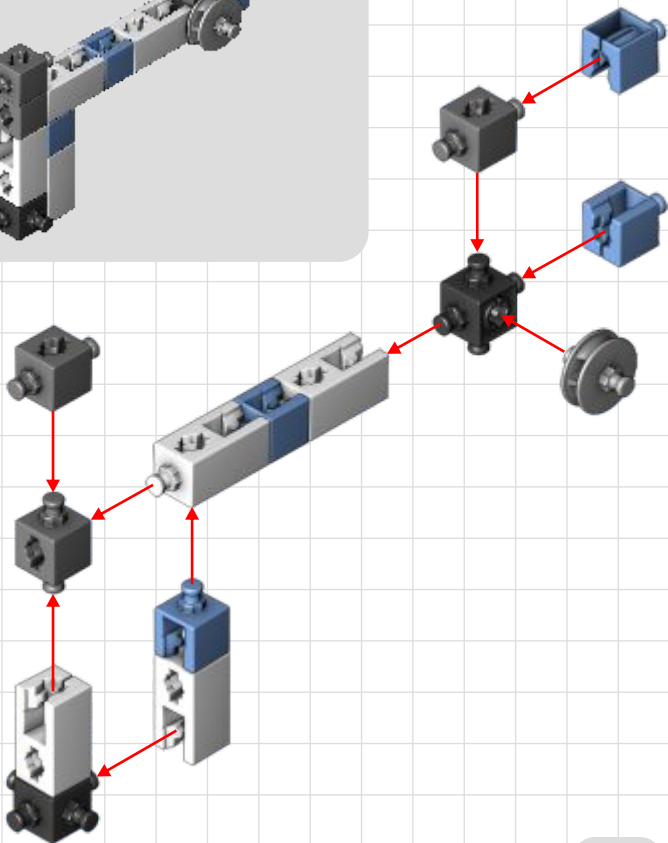
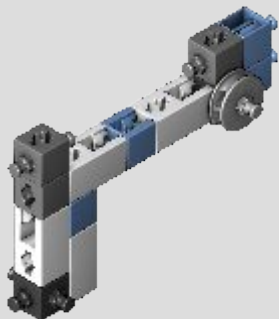


01

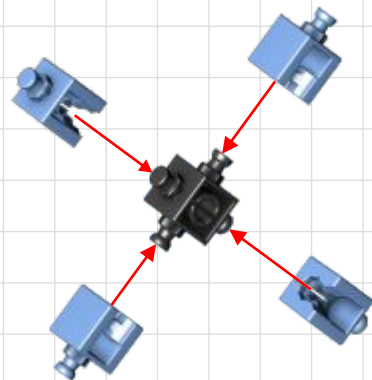
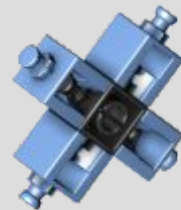


01

02

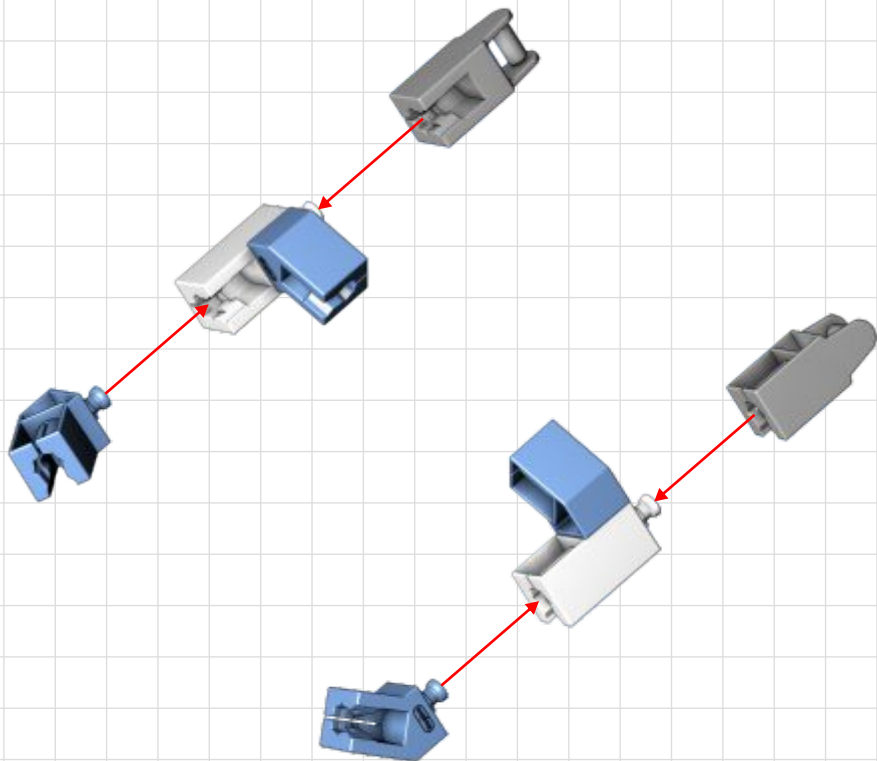
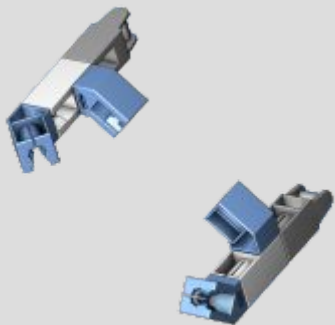


03



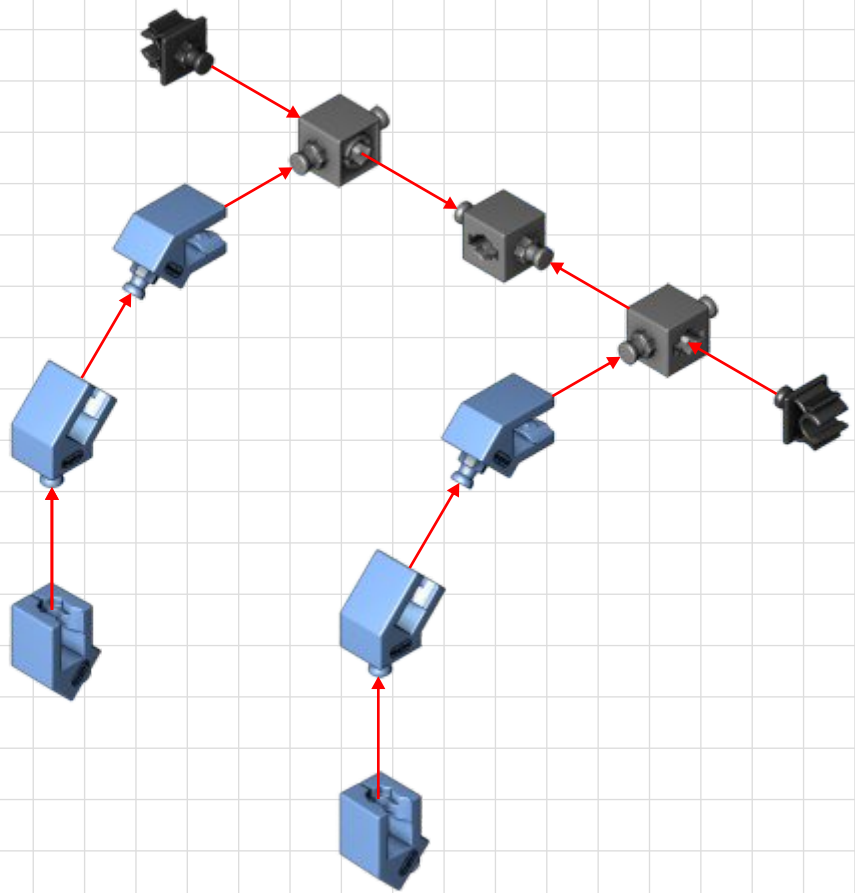
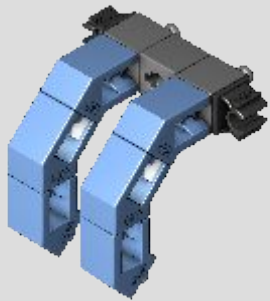
02

04

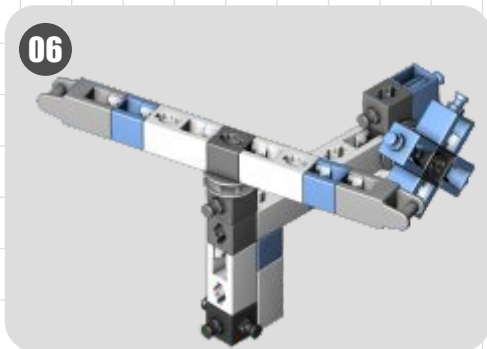
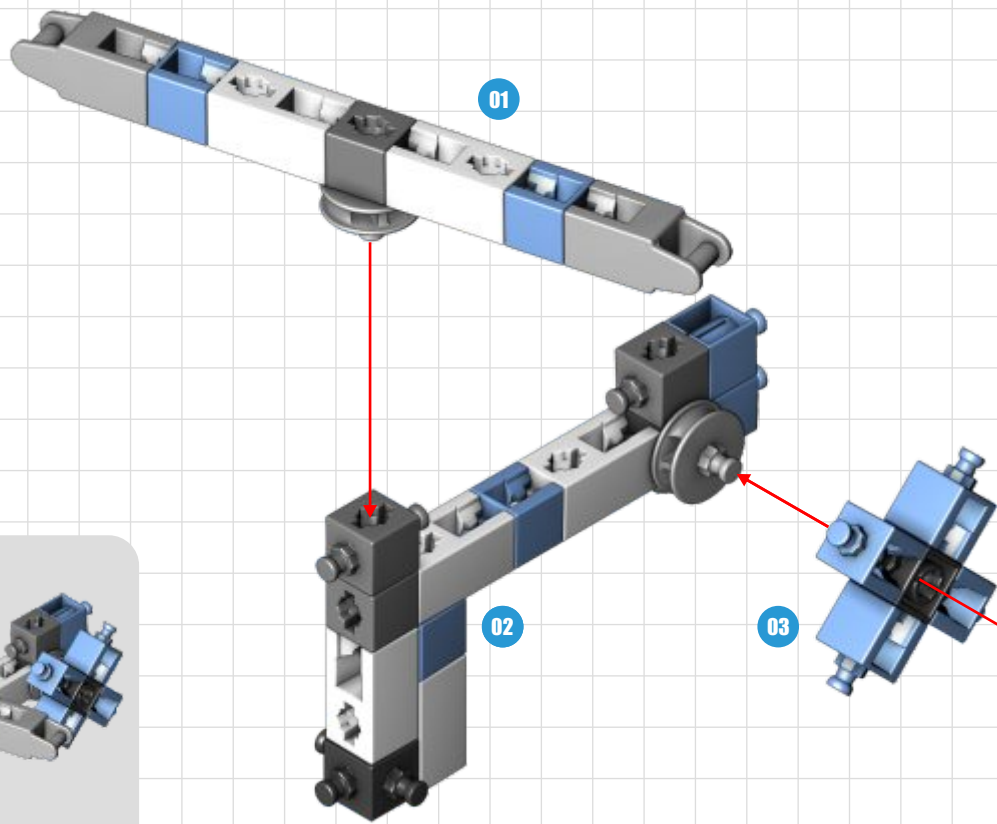


03

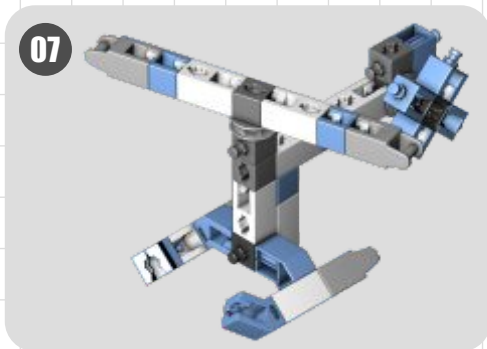
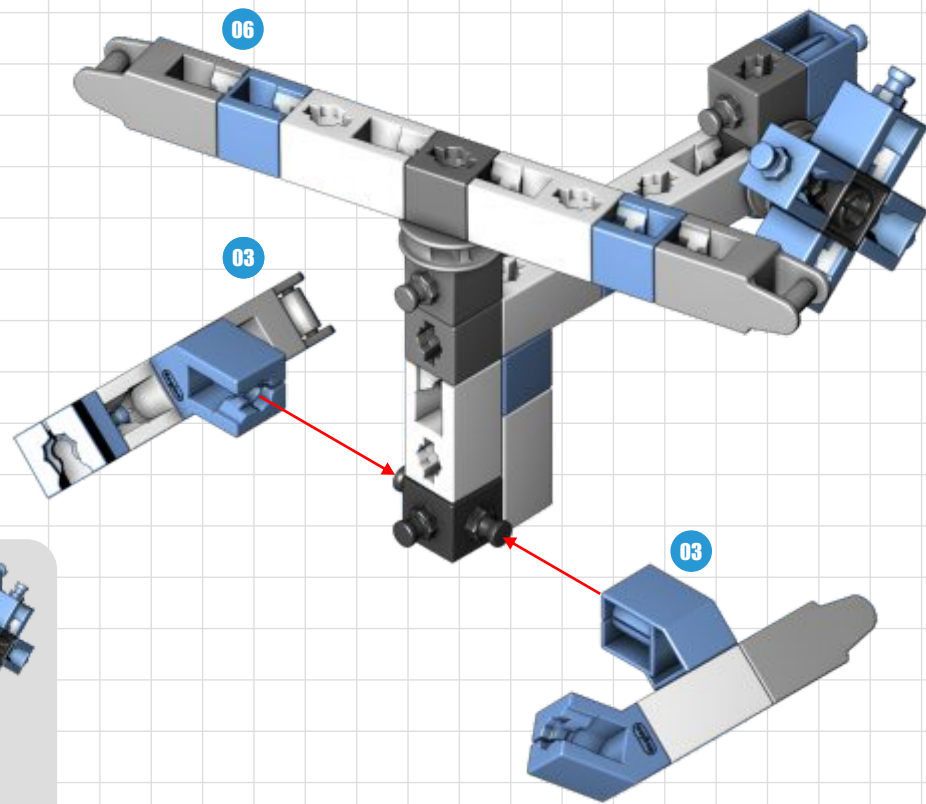
05



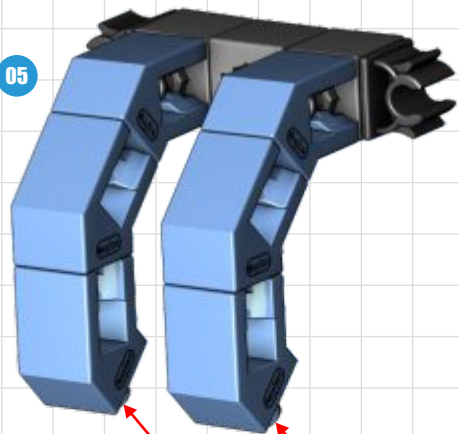
04



05



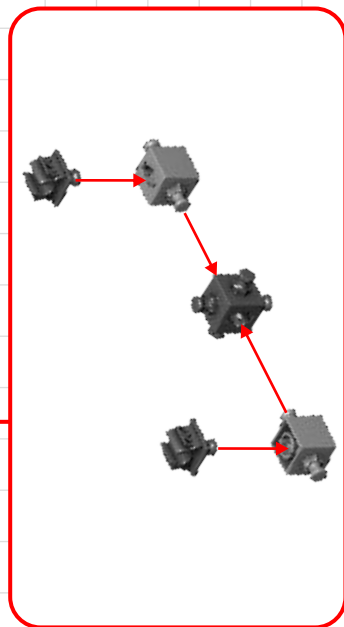
05



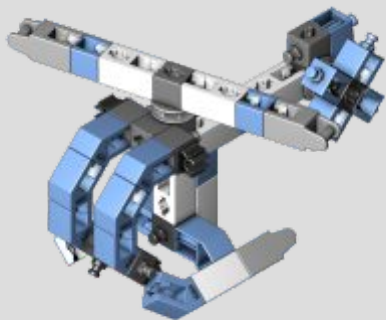
08



07

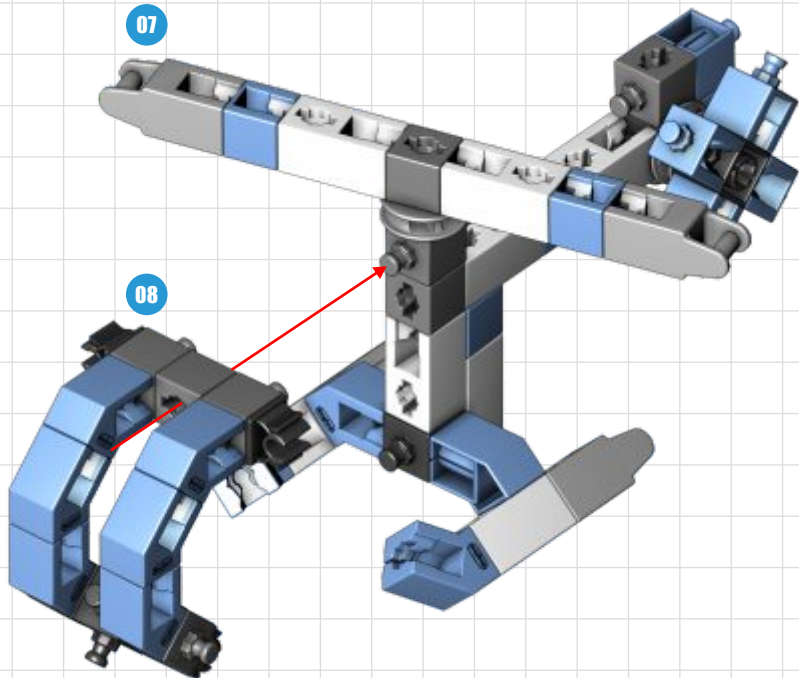


09

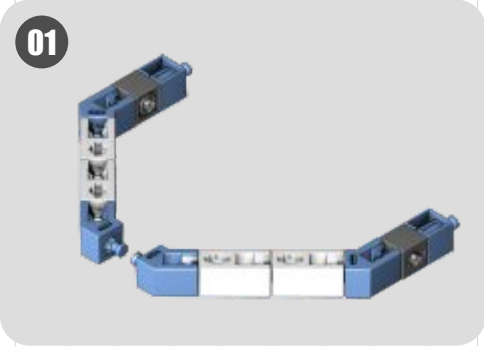
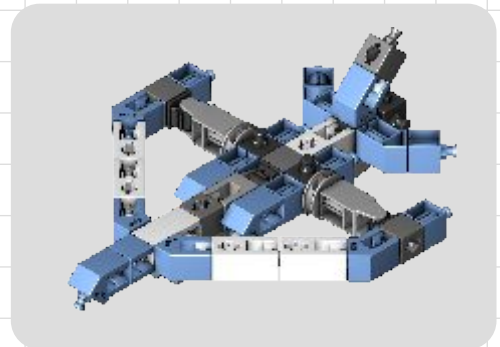


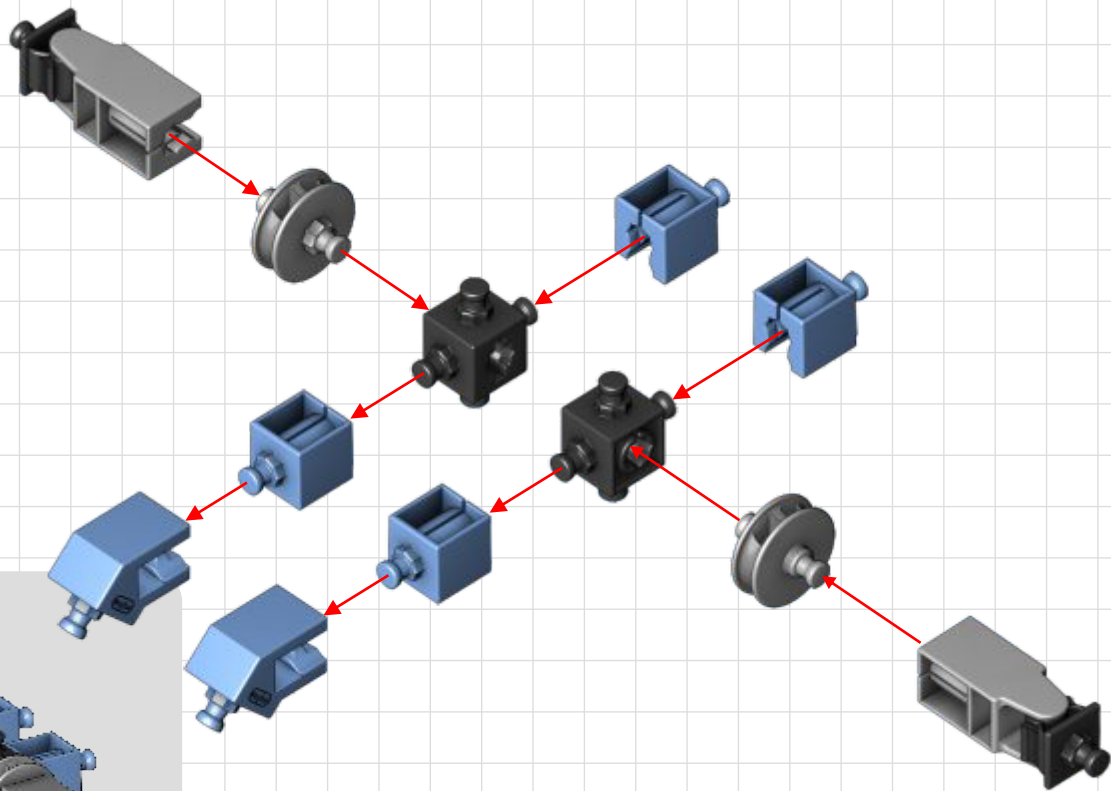
07

08

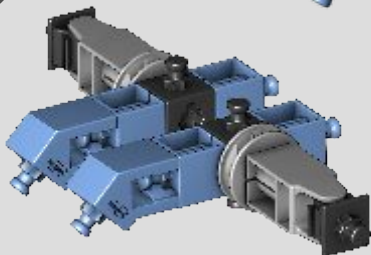


08

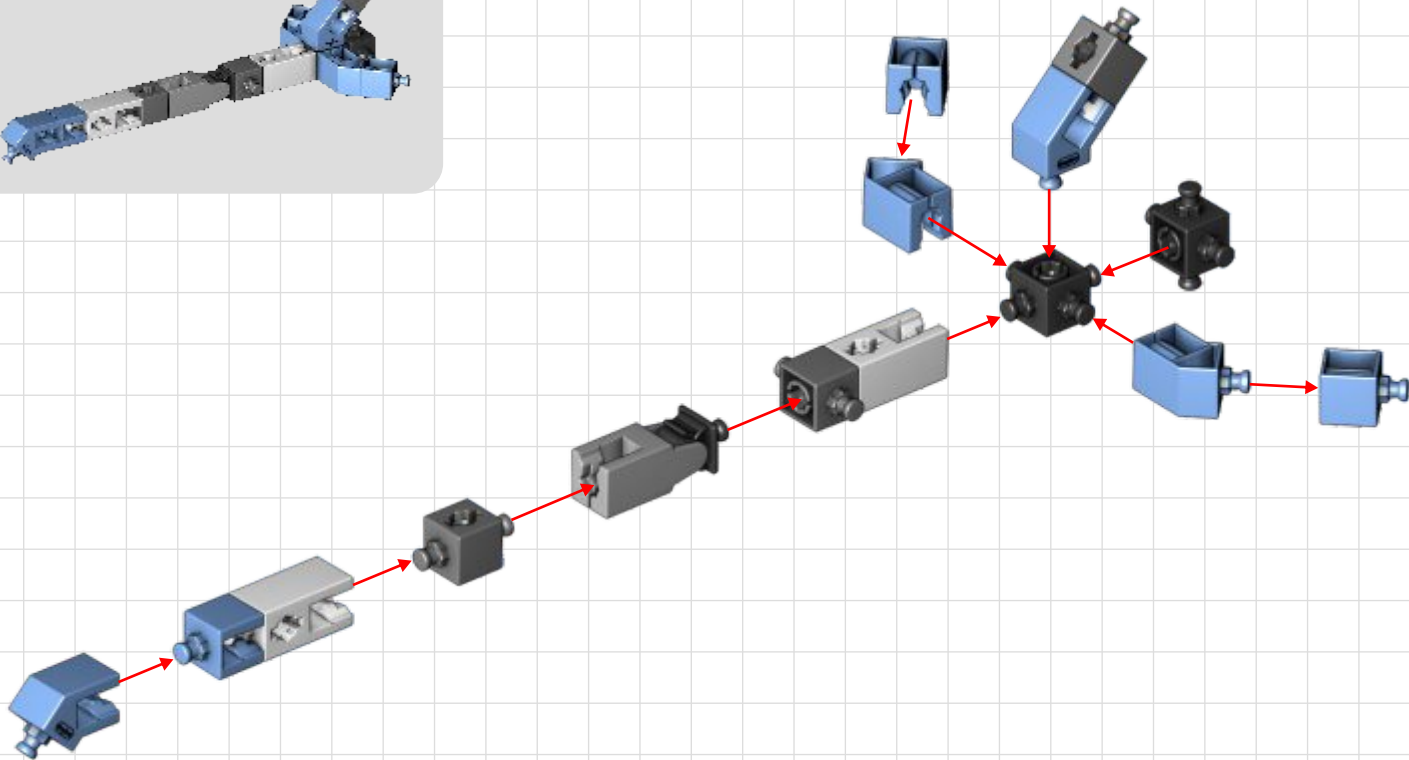
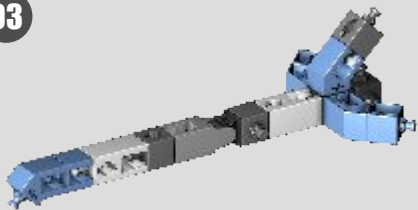




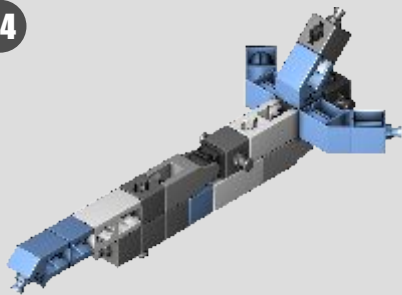
02



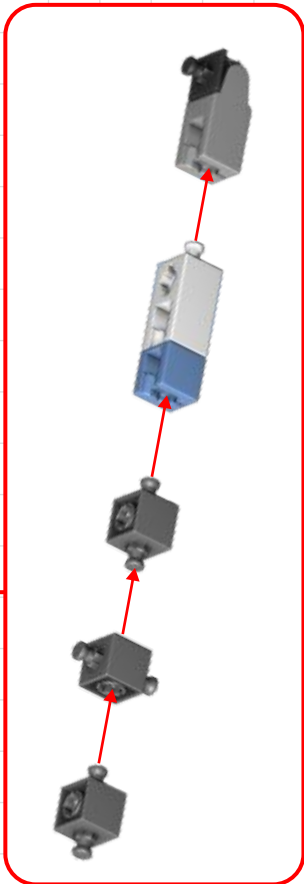
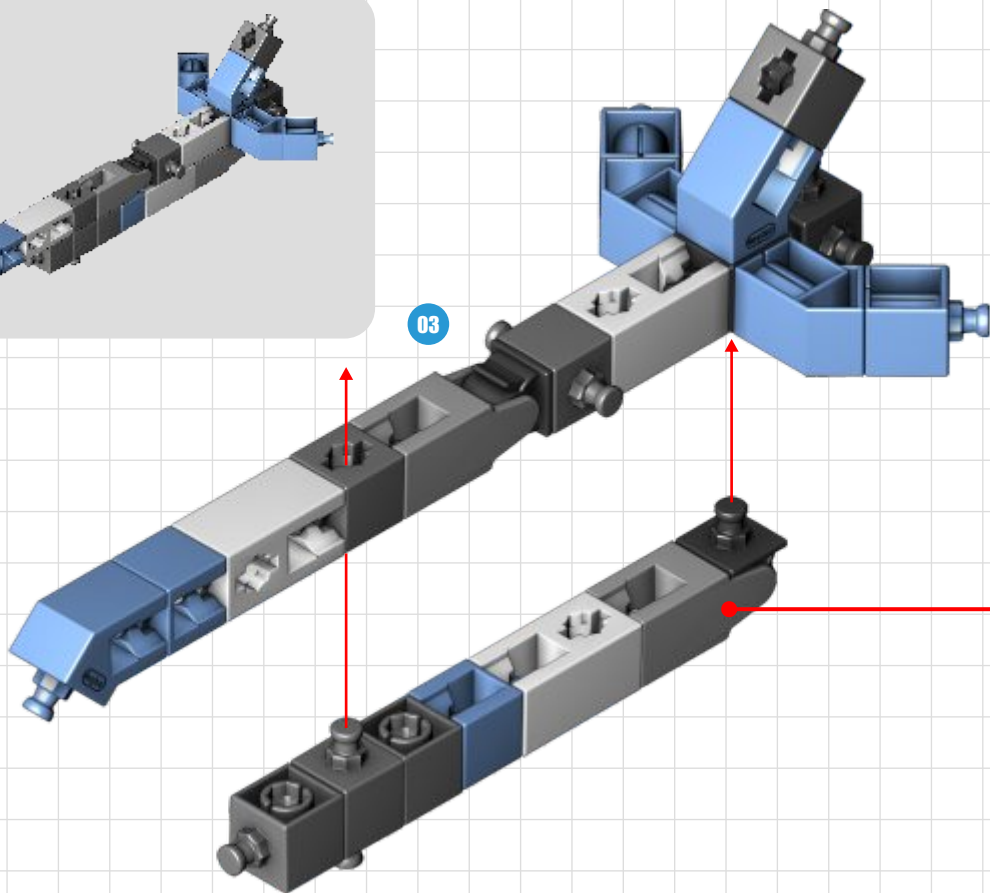
03



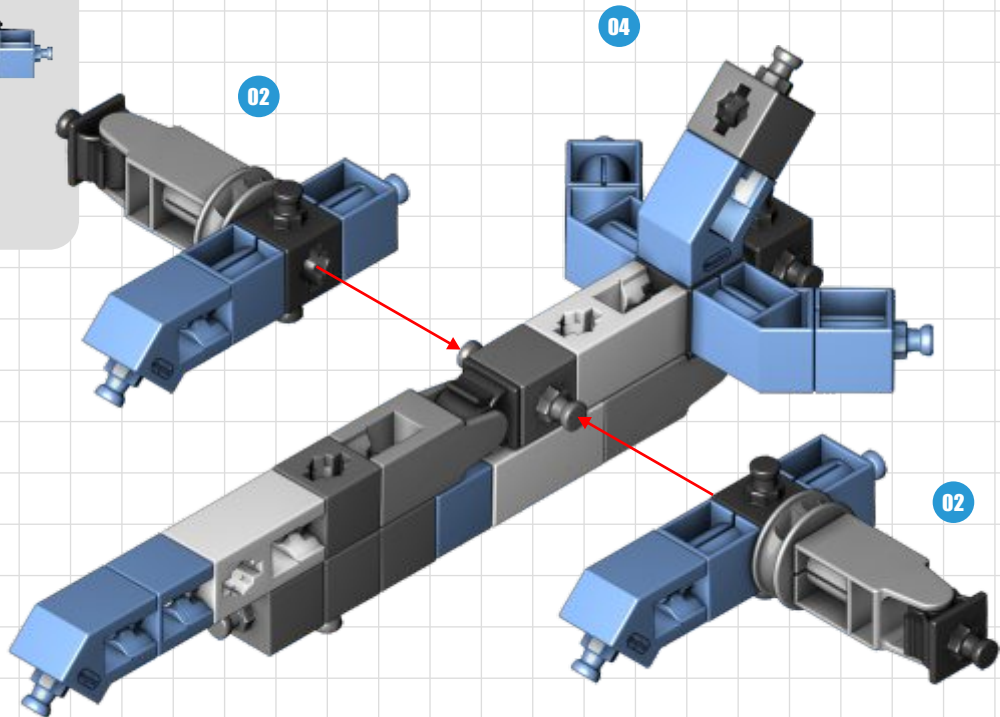
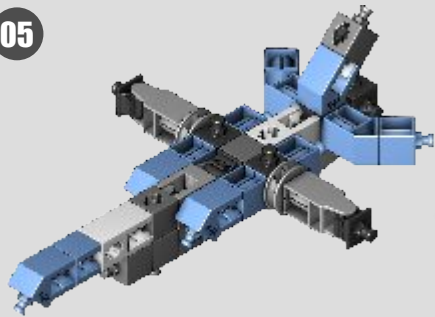
04

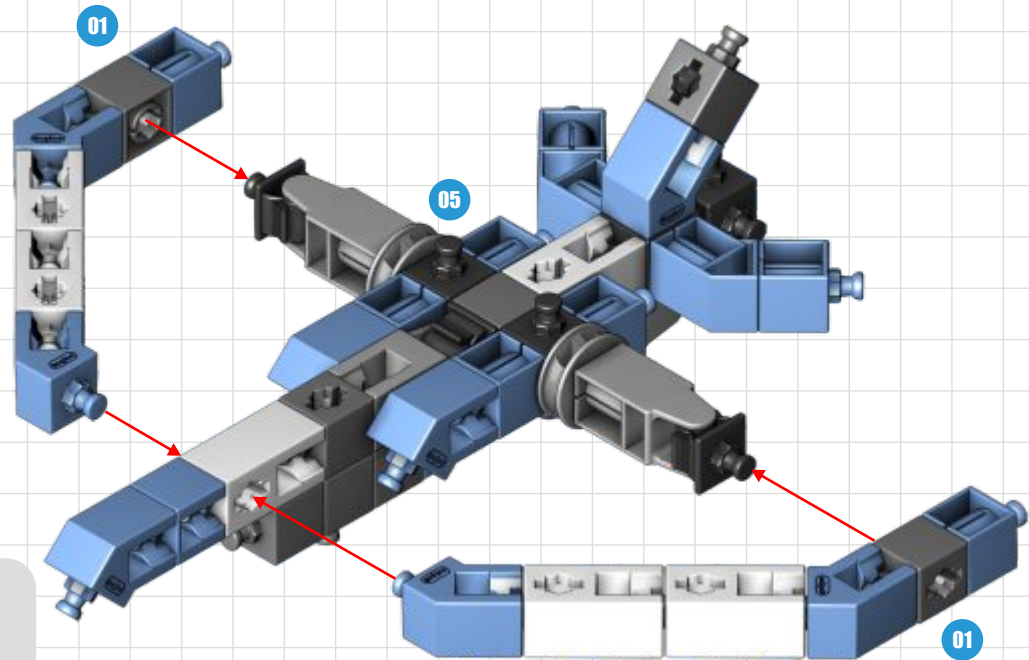


03

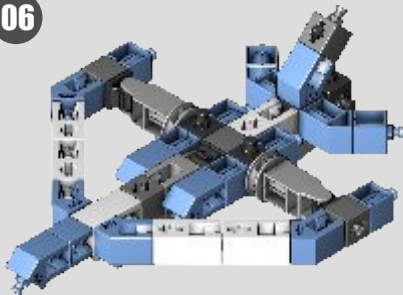


05





06





x4



x2



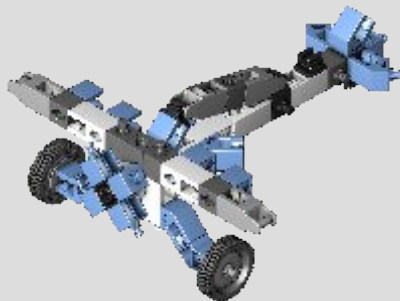
x2



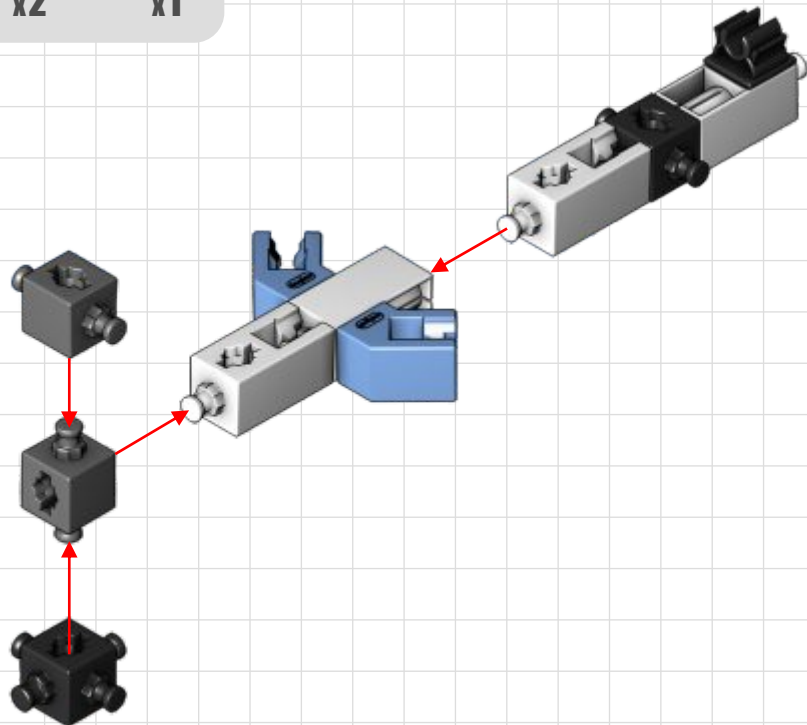
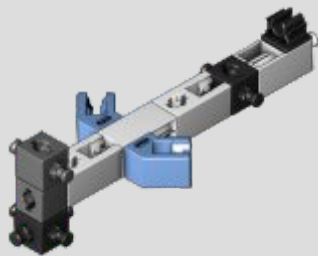
x2



x1



01





x1



x1



x1

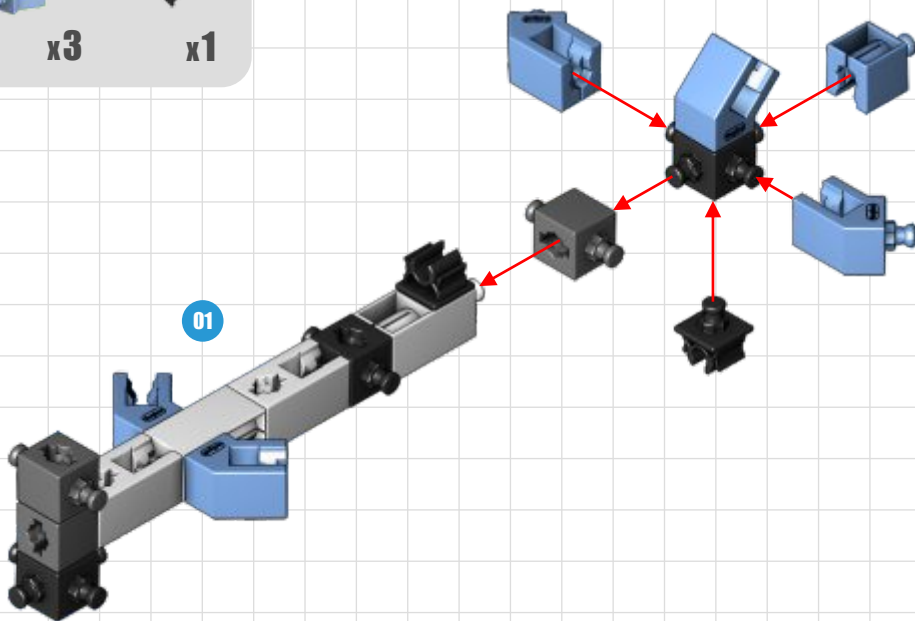


x3

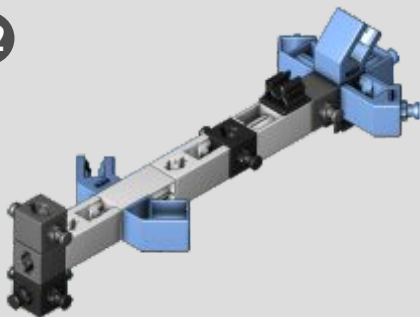


x1

01



02





x2



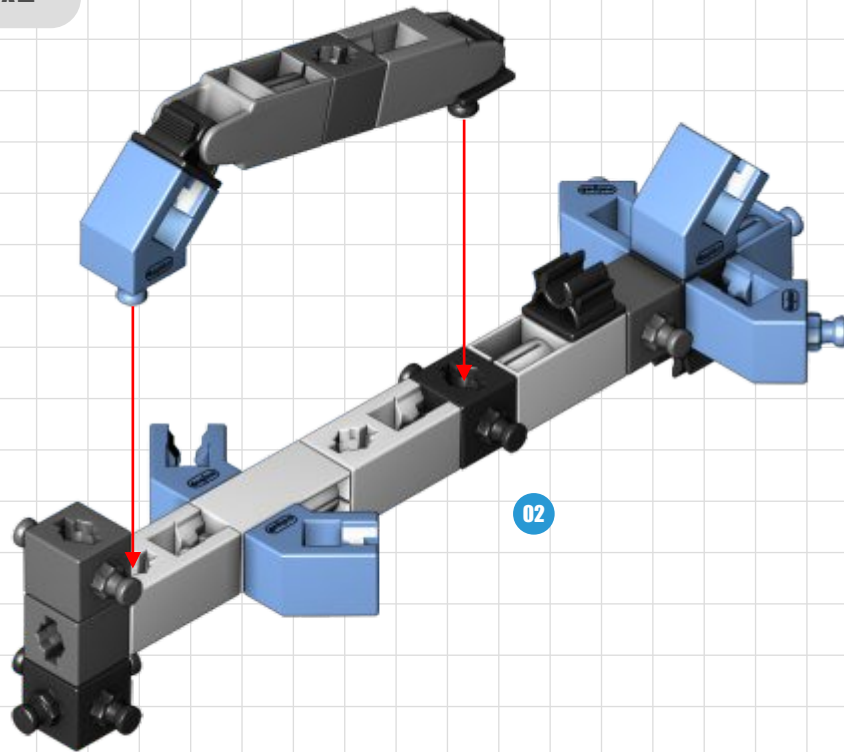
x1



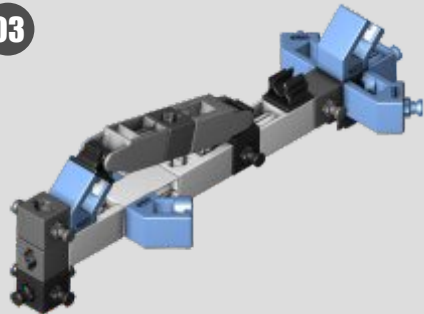
x1



x2



03





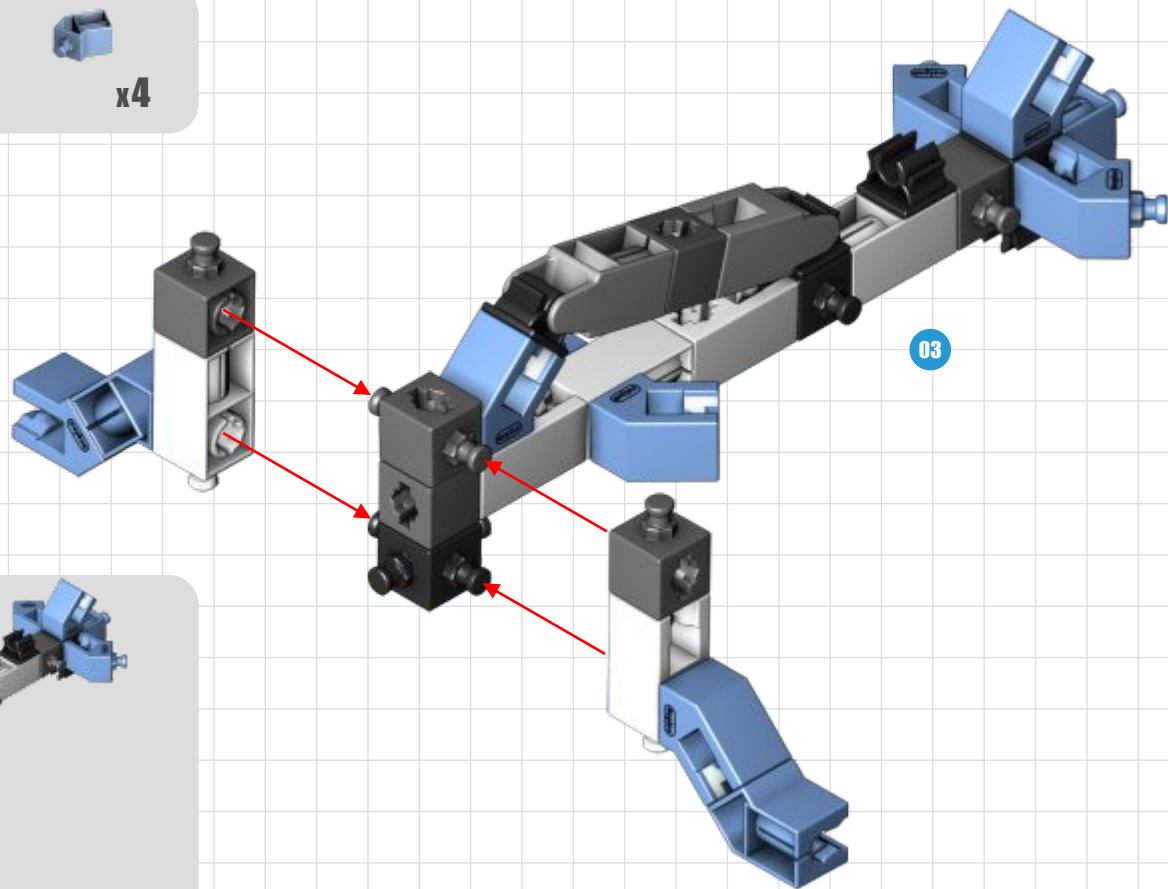
x2



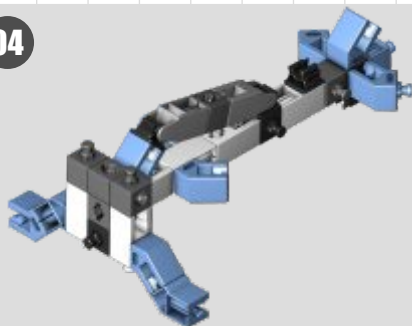
x2



x4



04





x2



x2



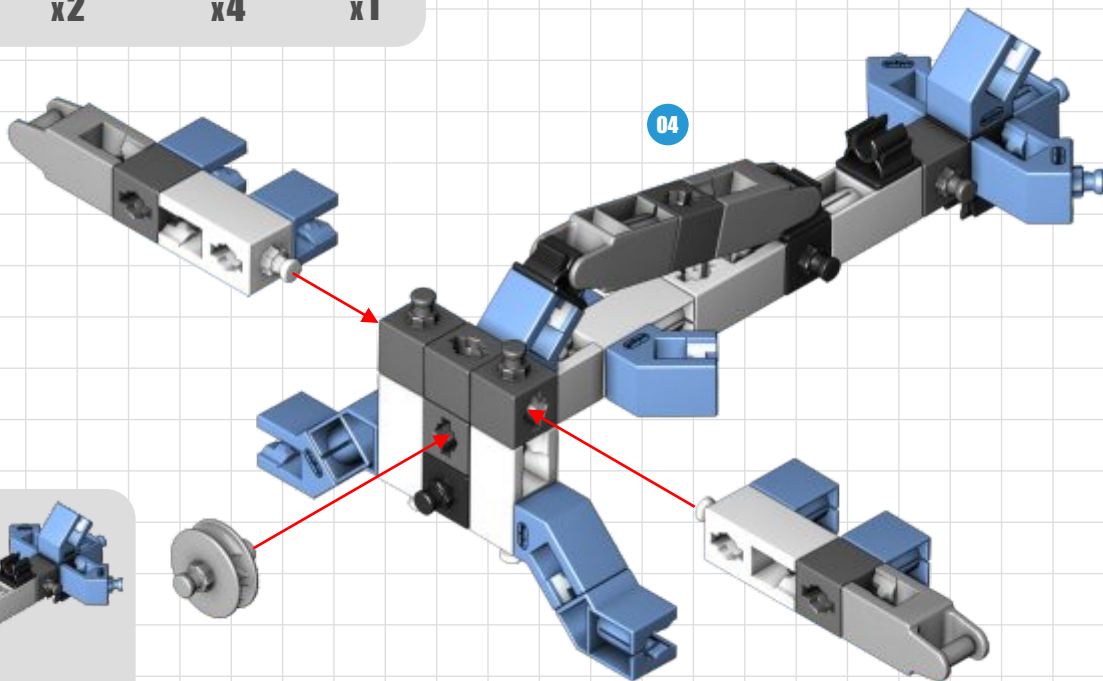
x2



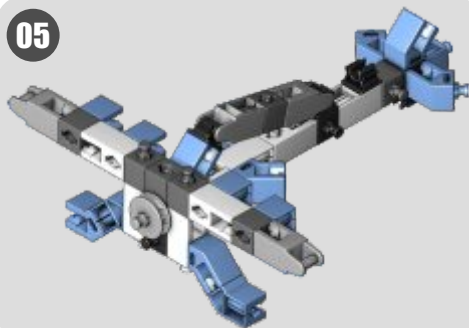
x4



x1



05



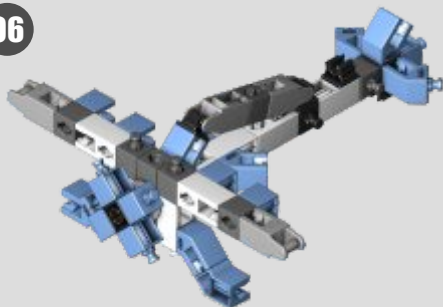


x4

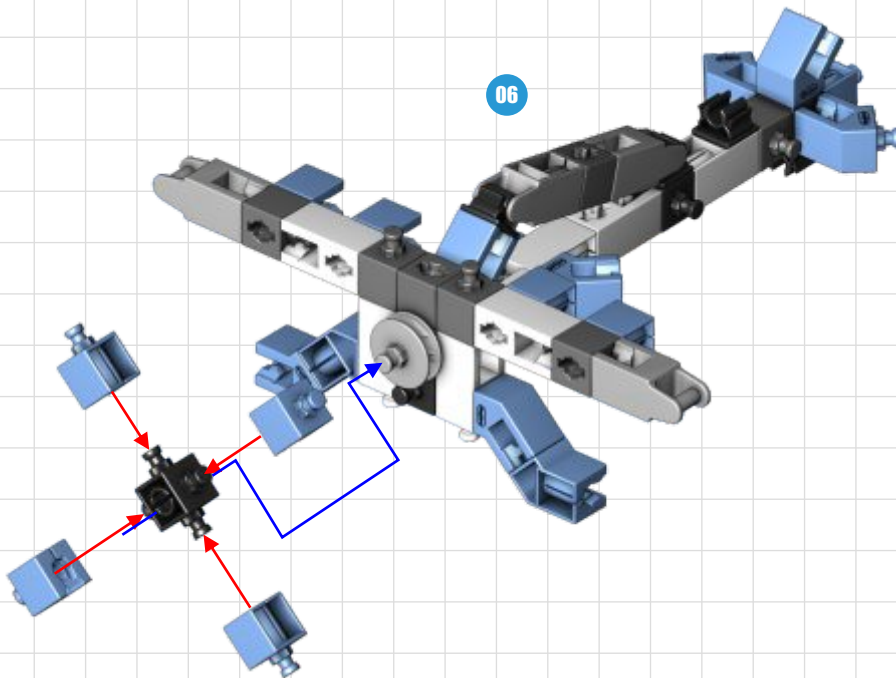


x1

06



06



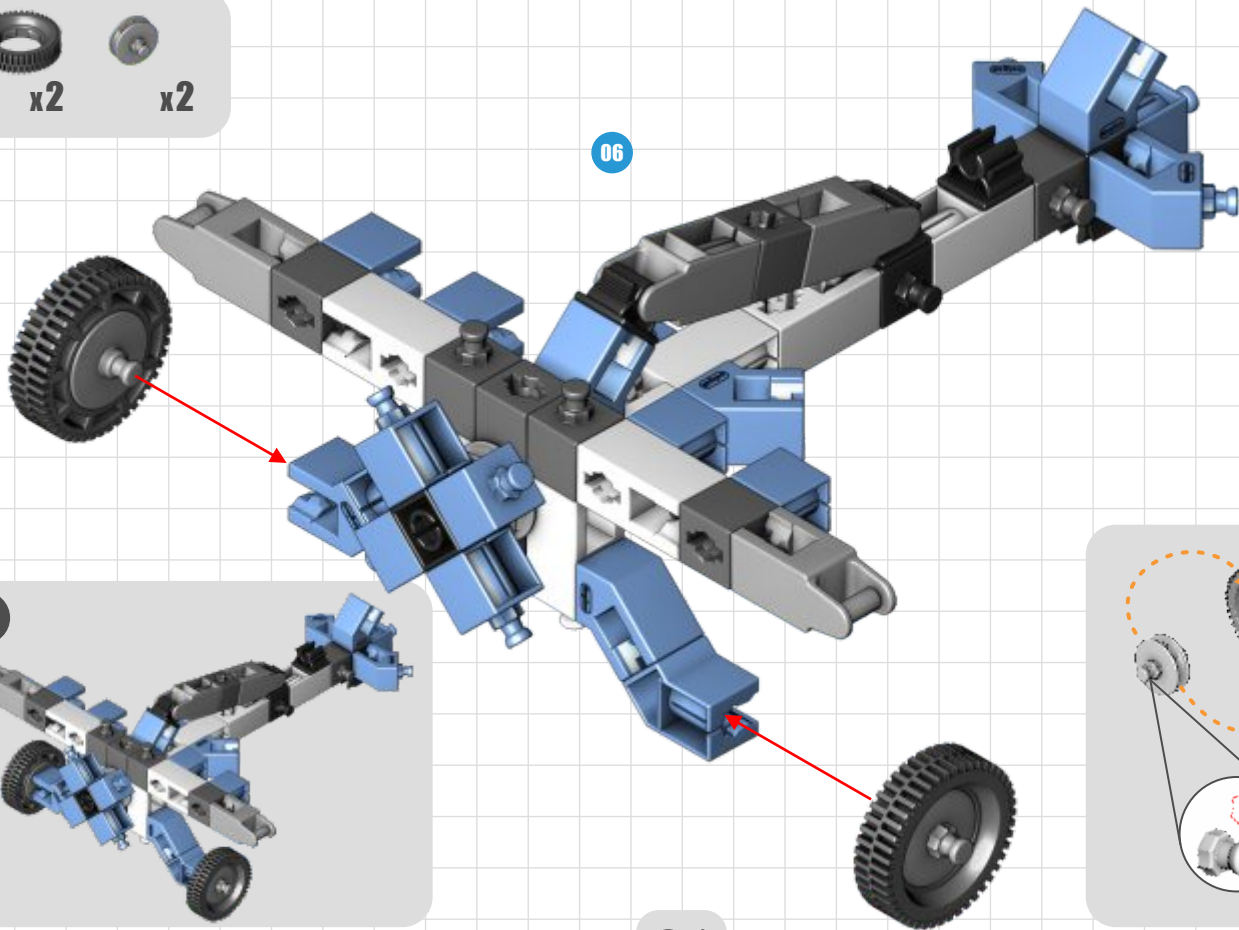


x2

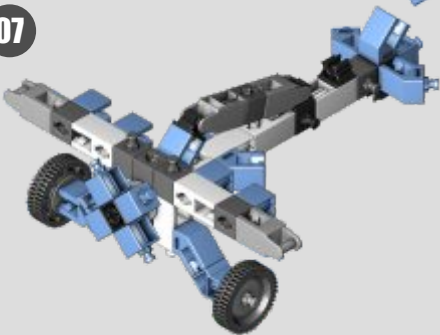


x2

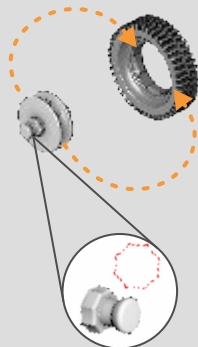
06

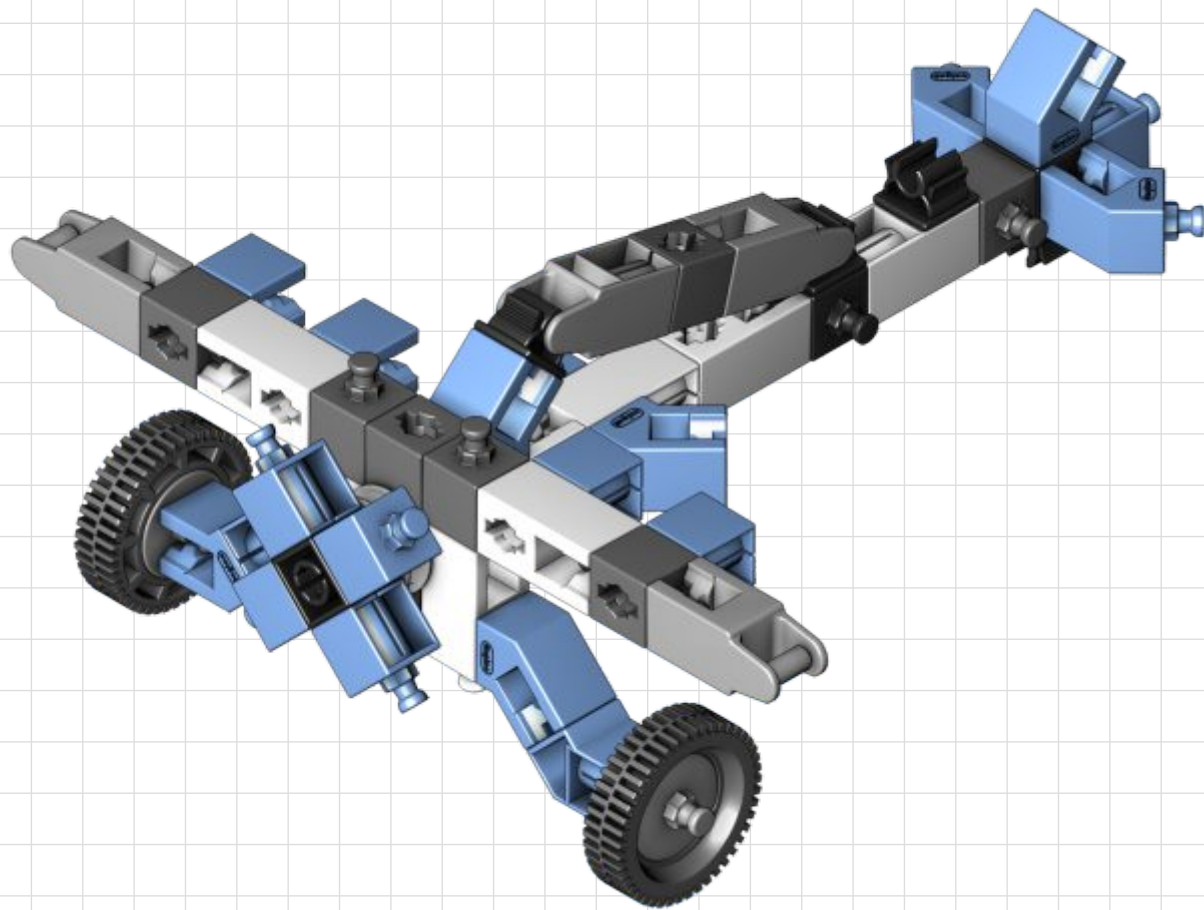


07



x2







x1



x1



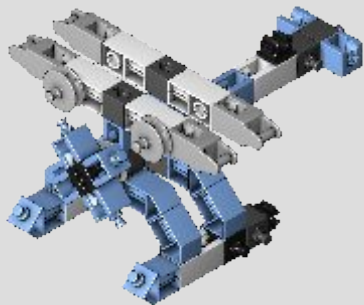
x1



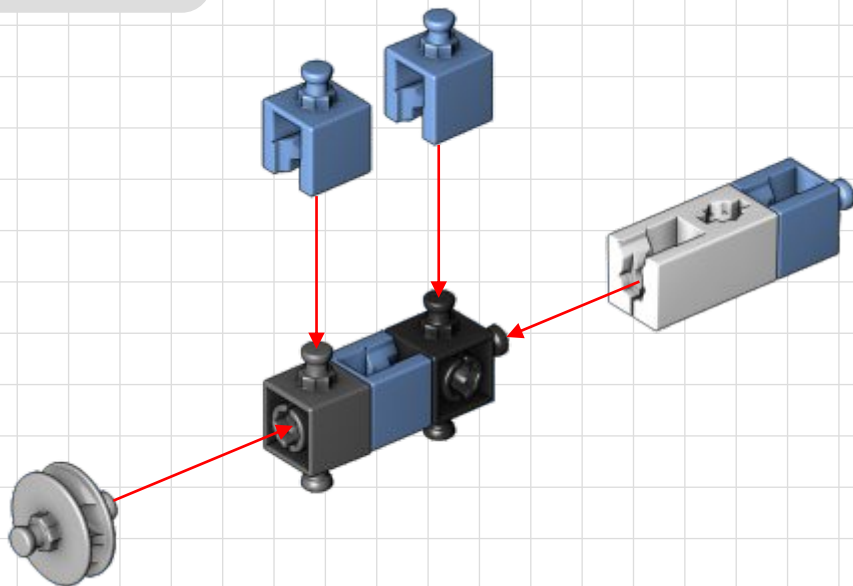
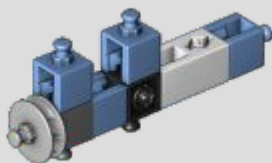
x4



x1



01





x1



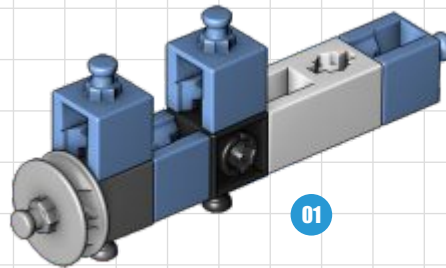
x2



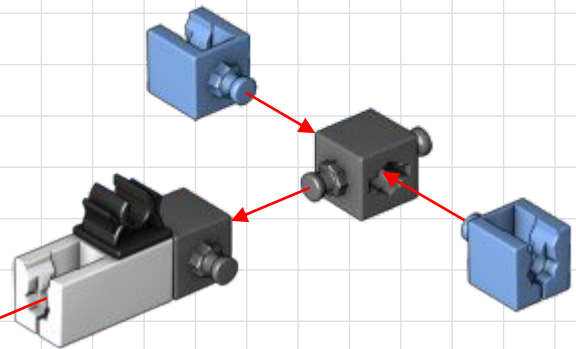
x2



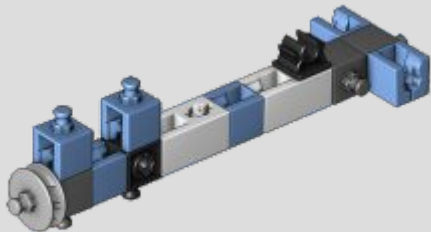
x1



01



02



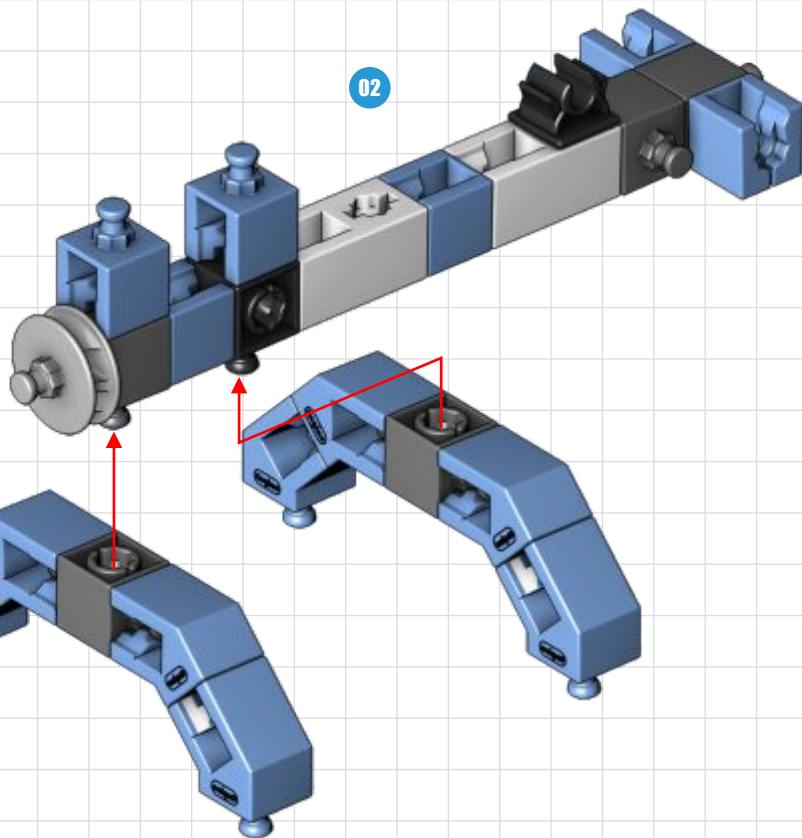


x2

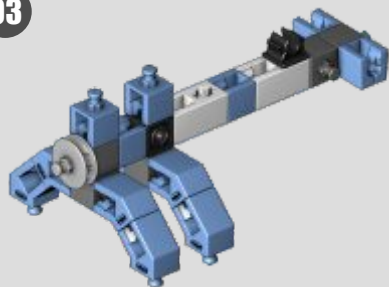


x8

02



03





x2



x2



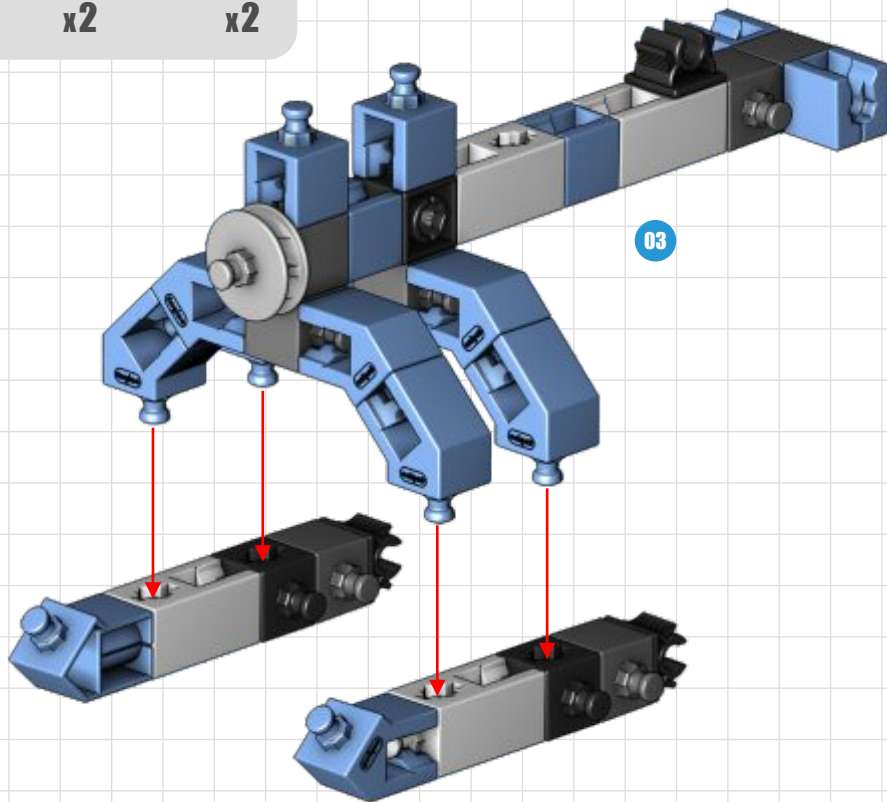
x2



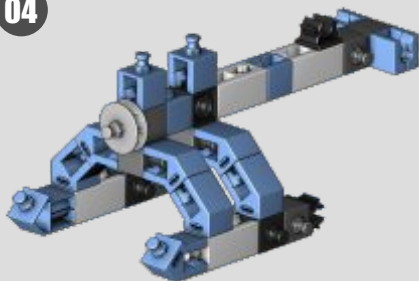
x2



x2



04





x4



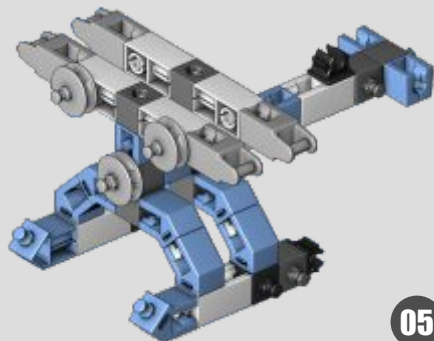
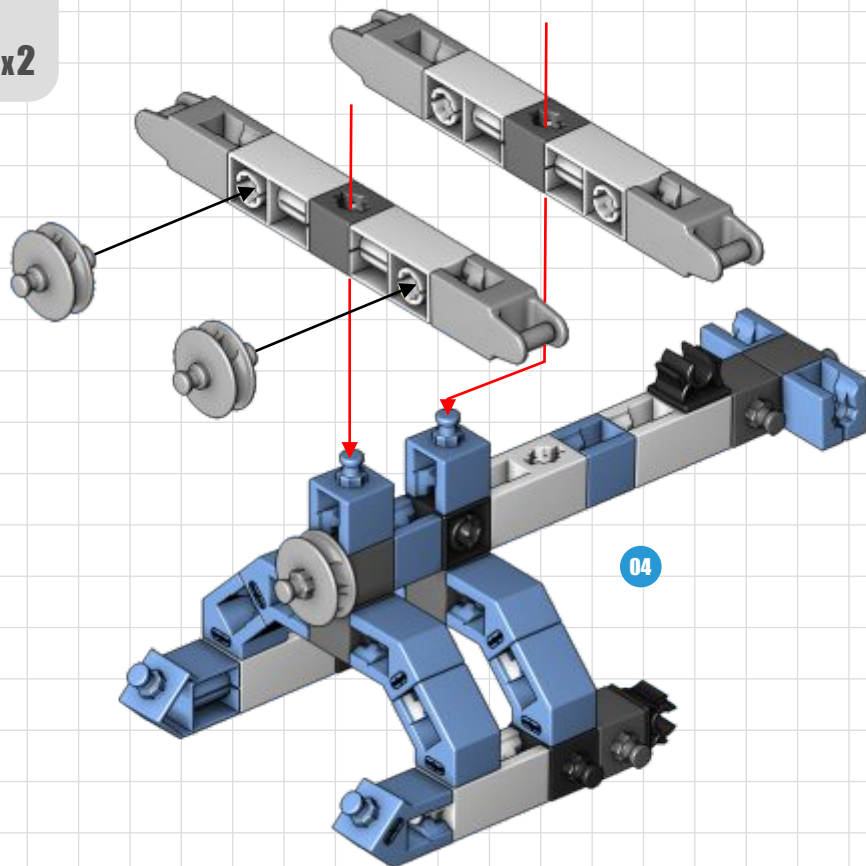
x4



x2



x2

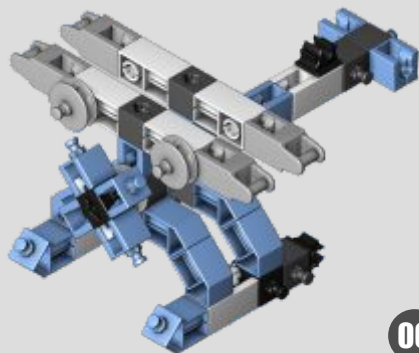
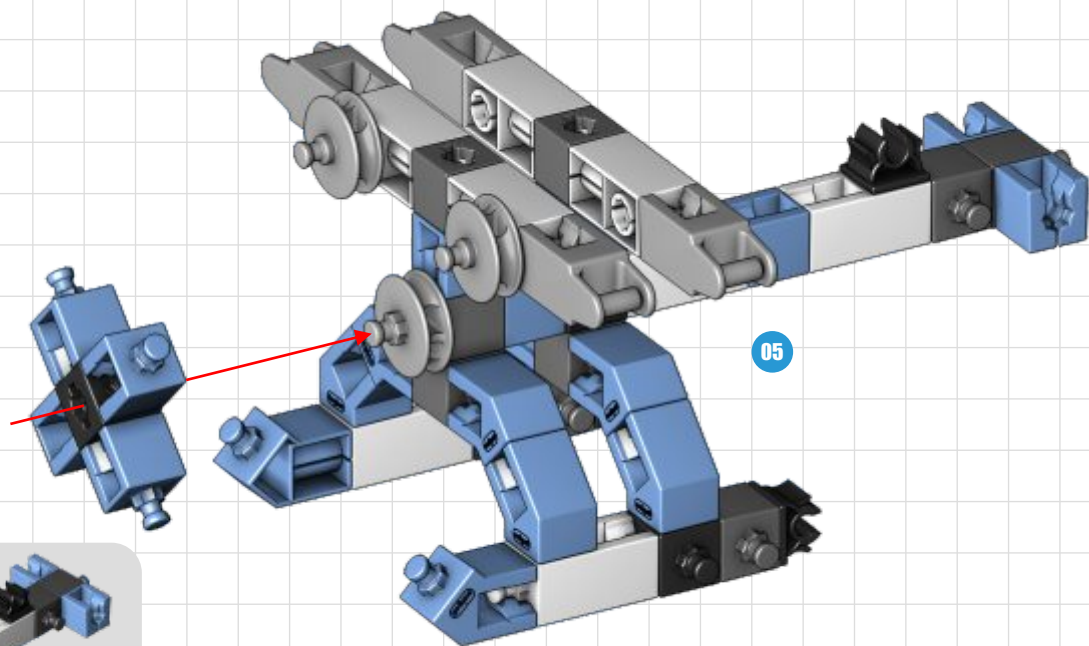




x1



x4



06



x4



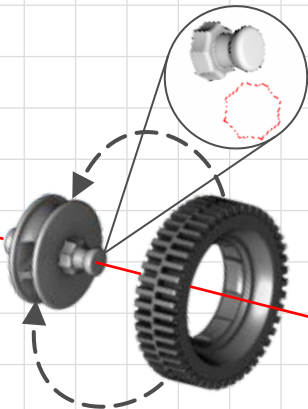
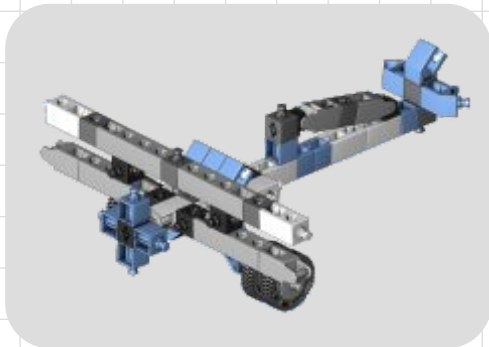
x2



x4



x4

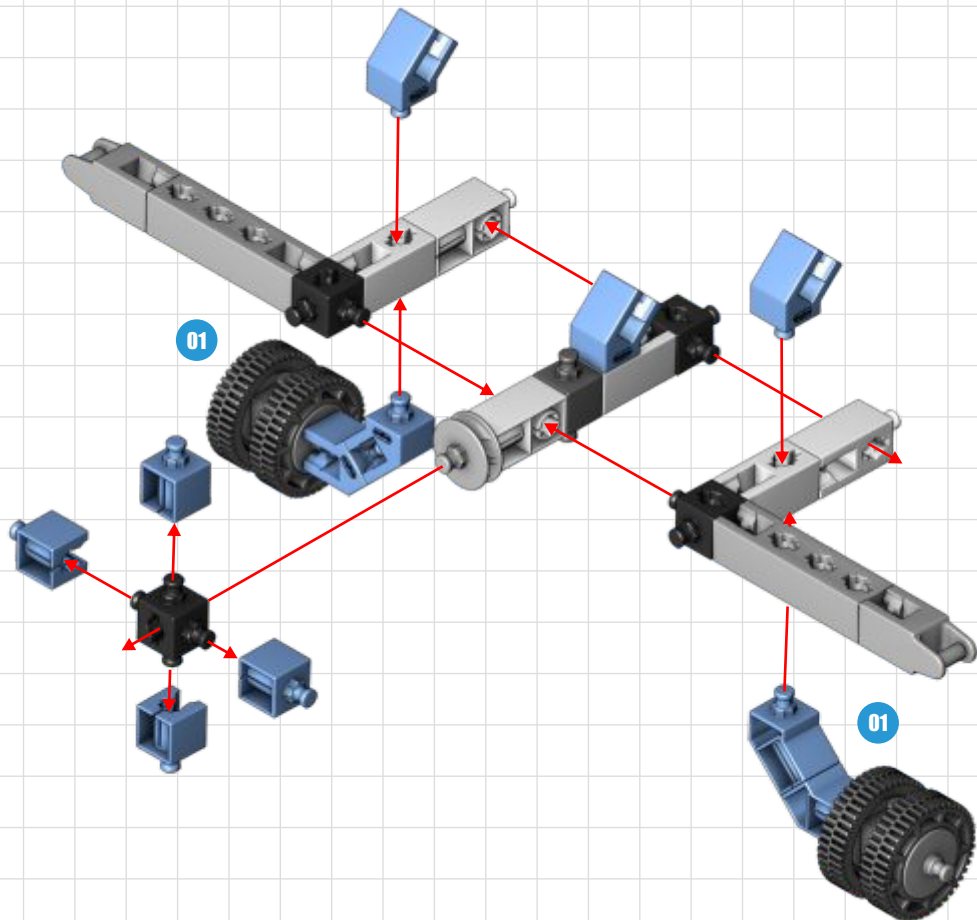
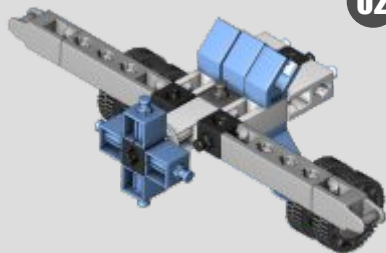
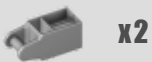


x2



01







x2

x5



x2



x2



x4



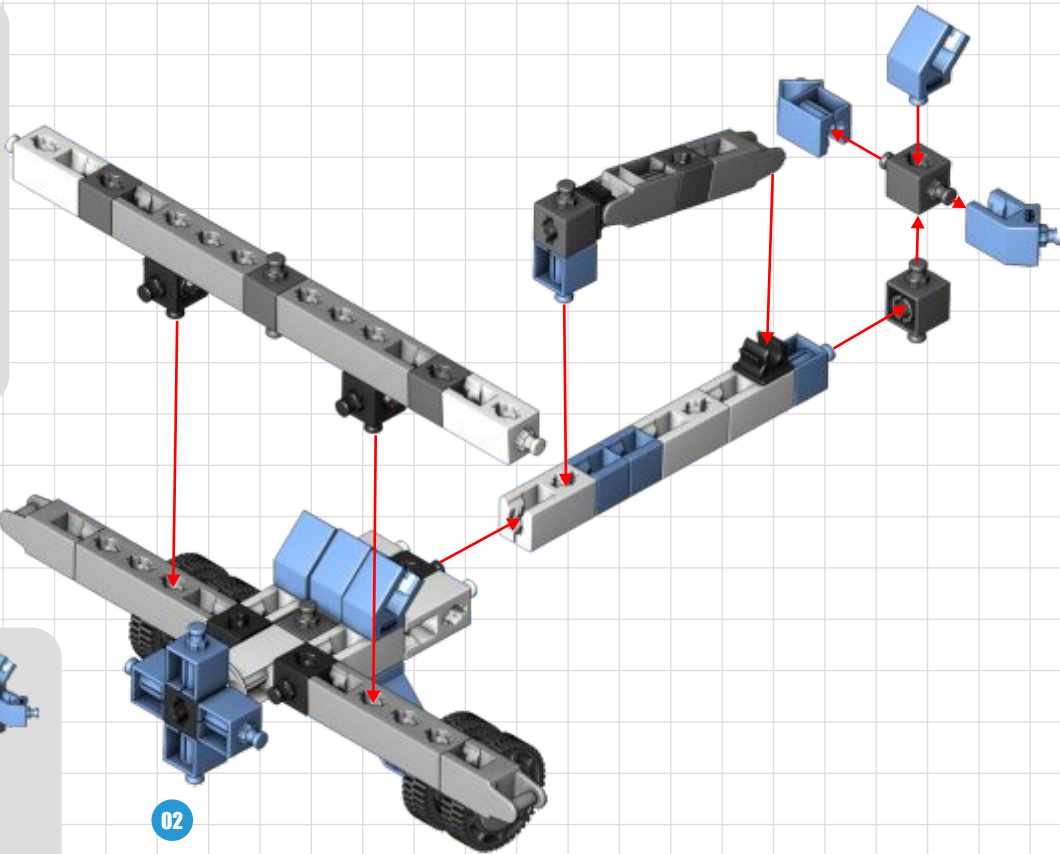
x3



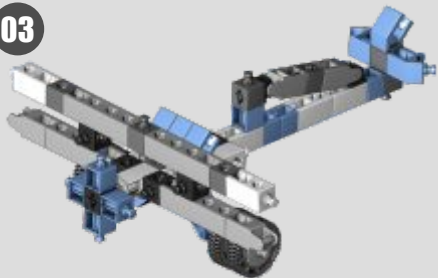
x2



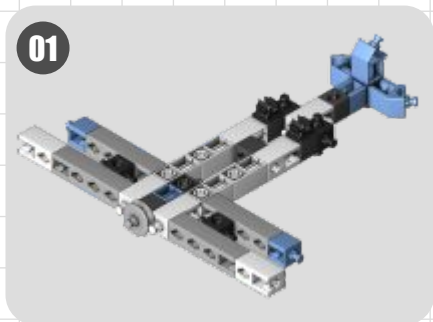
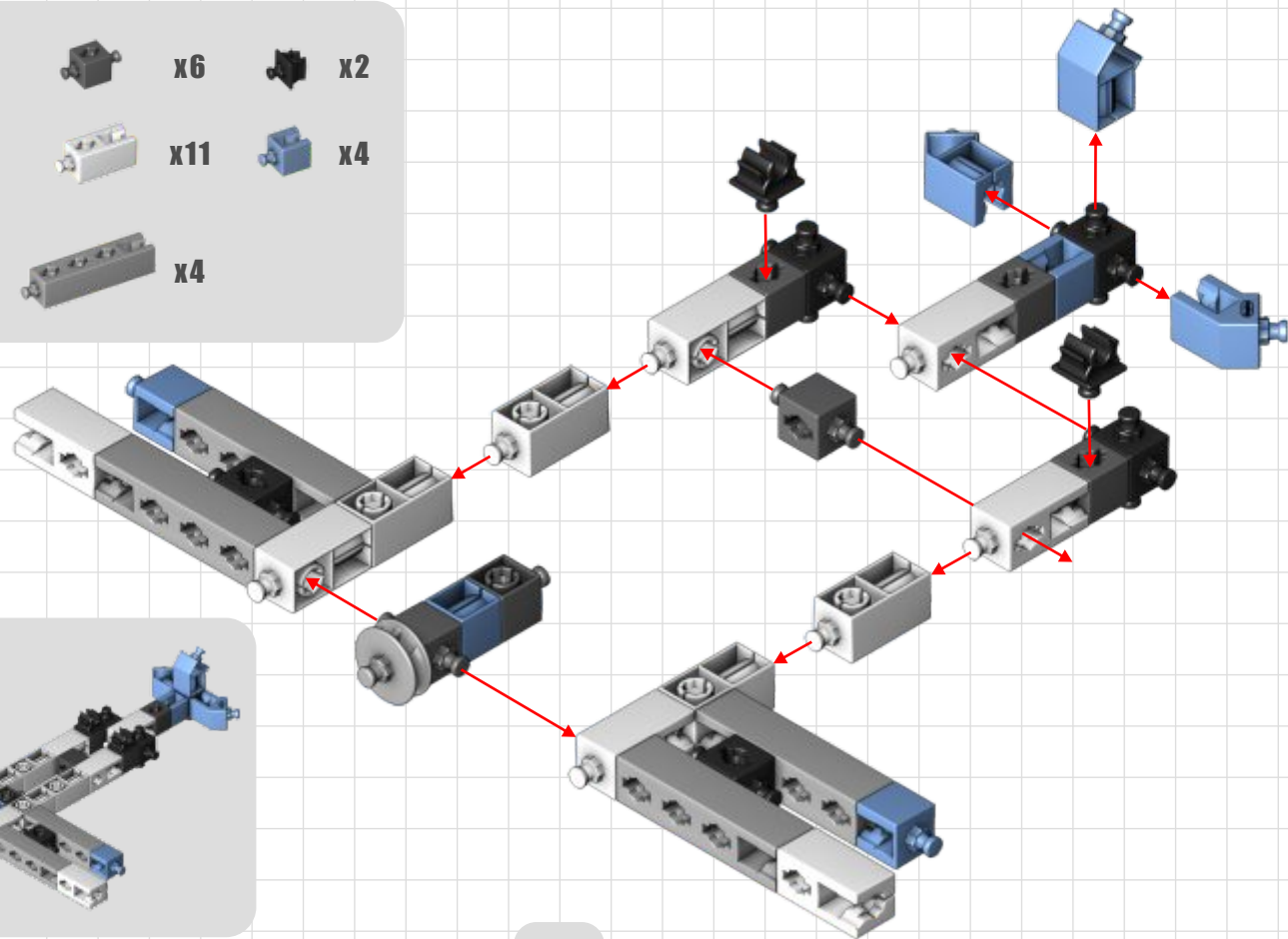
x7



03



- | | | |
|--|---|--|
|  x1 |  x6 |  x2 |
|  x5 |  x11 |  x4 |
|  x3 |  x4 | |





x3



x3



x4



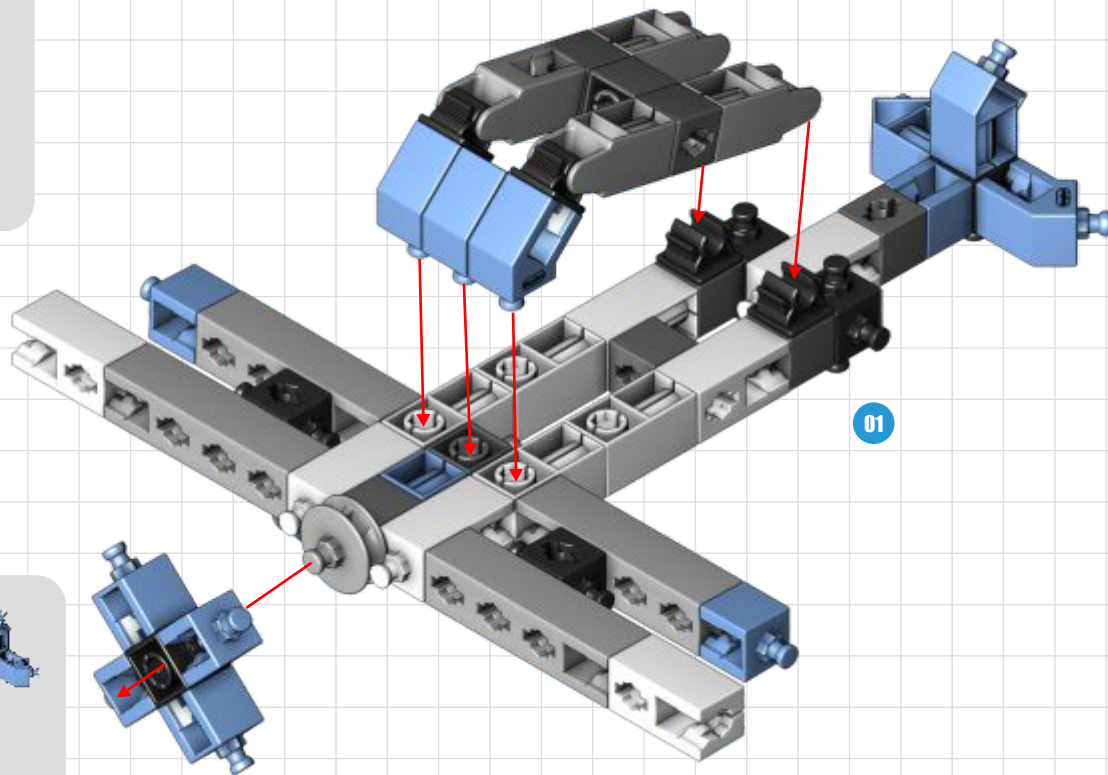
x1



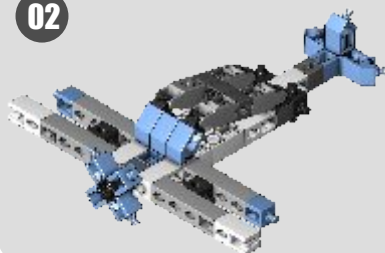
x2



x4



02





x4



x4

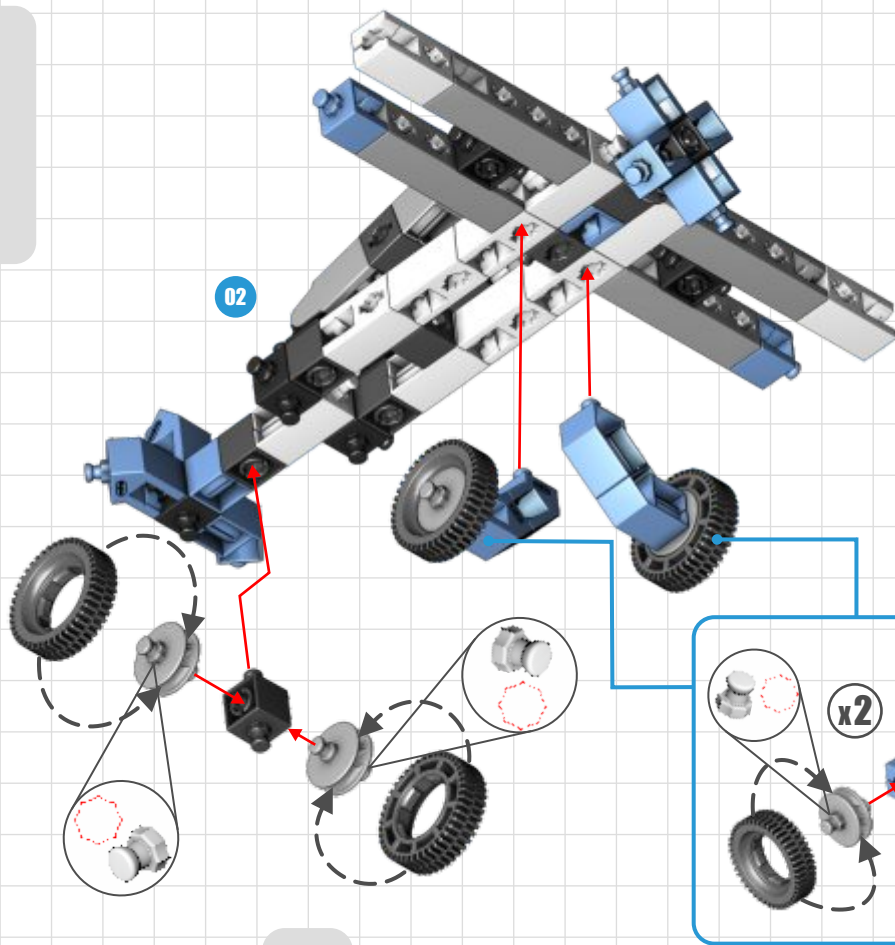


x1

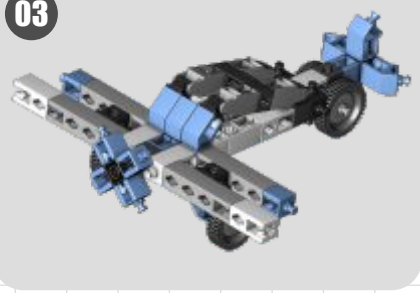


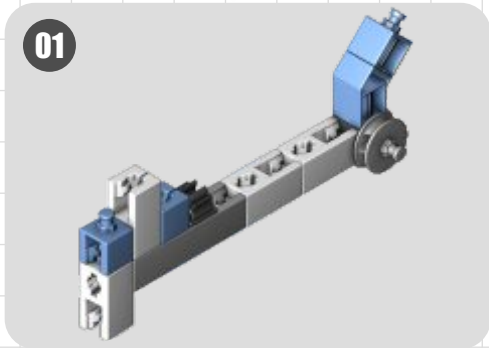
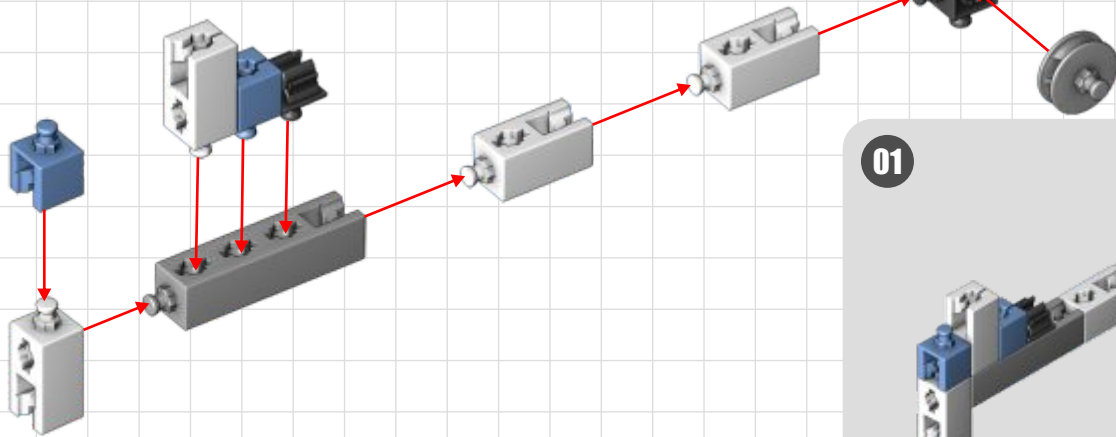
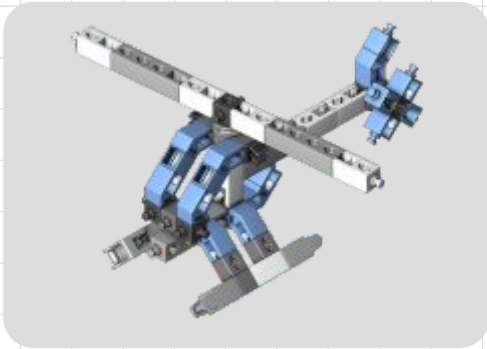
x4

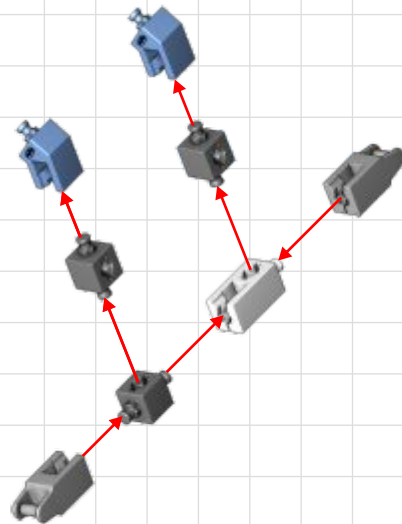
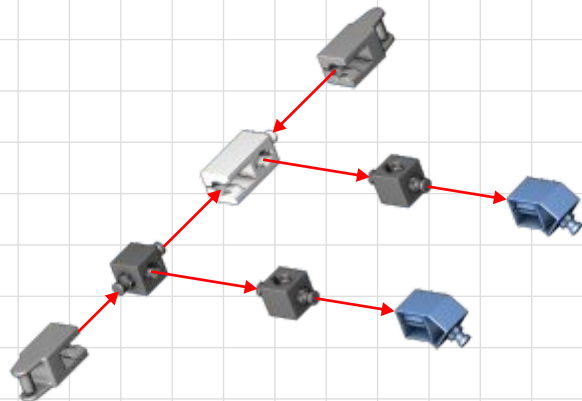
02



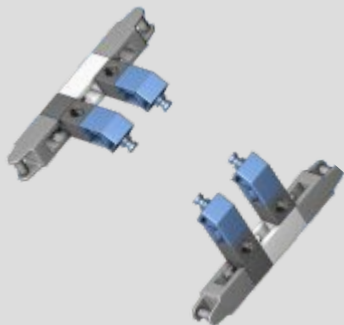
03



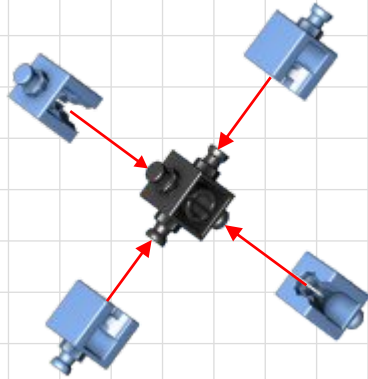
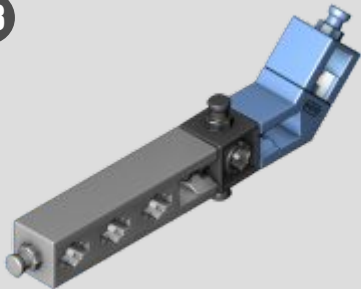




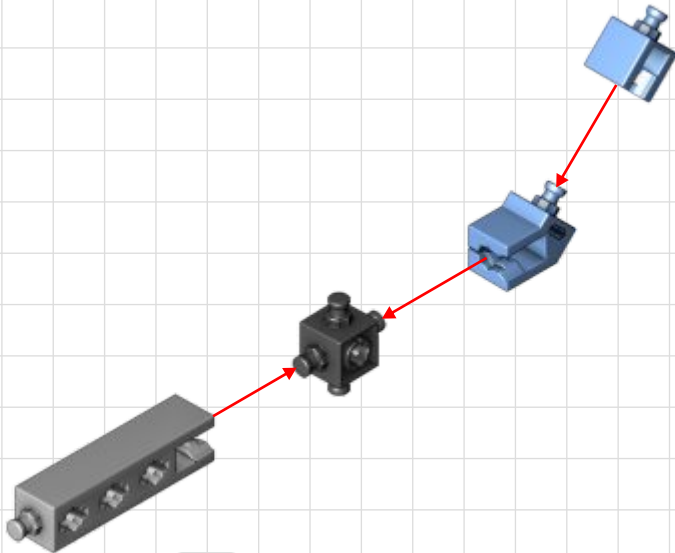
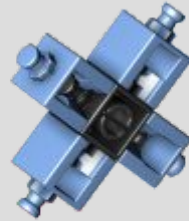
02



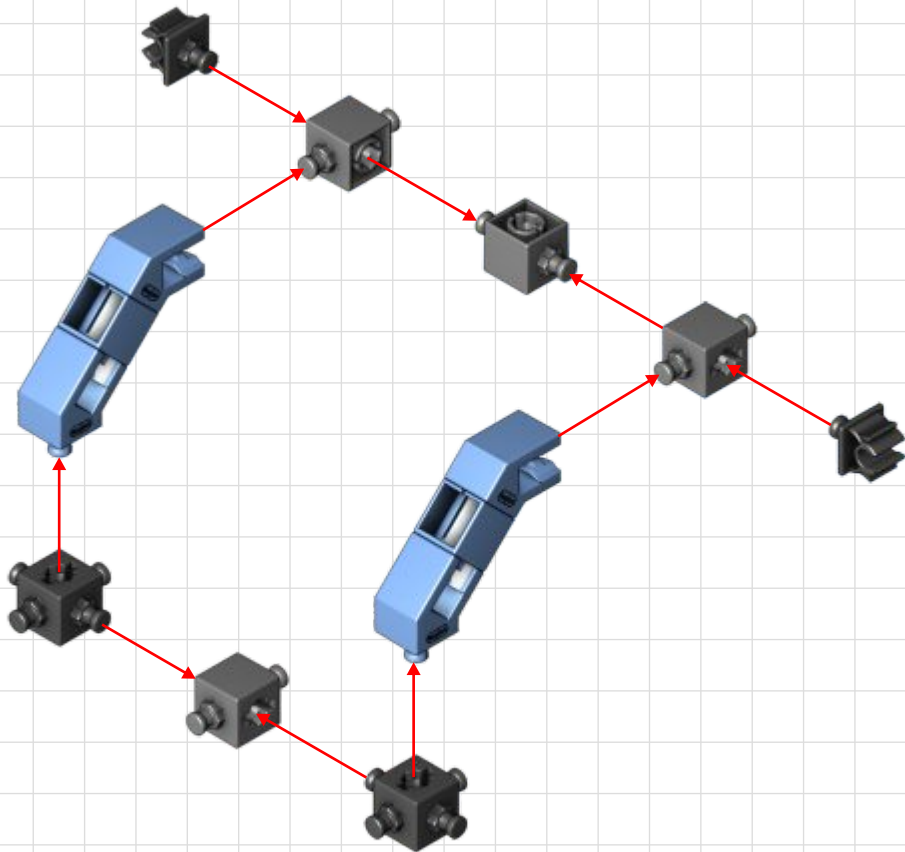
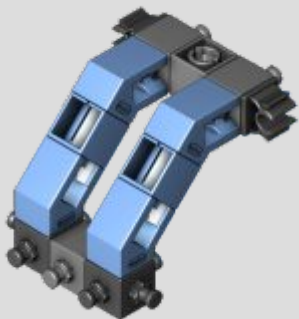
03

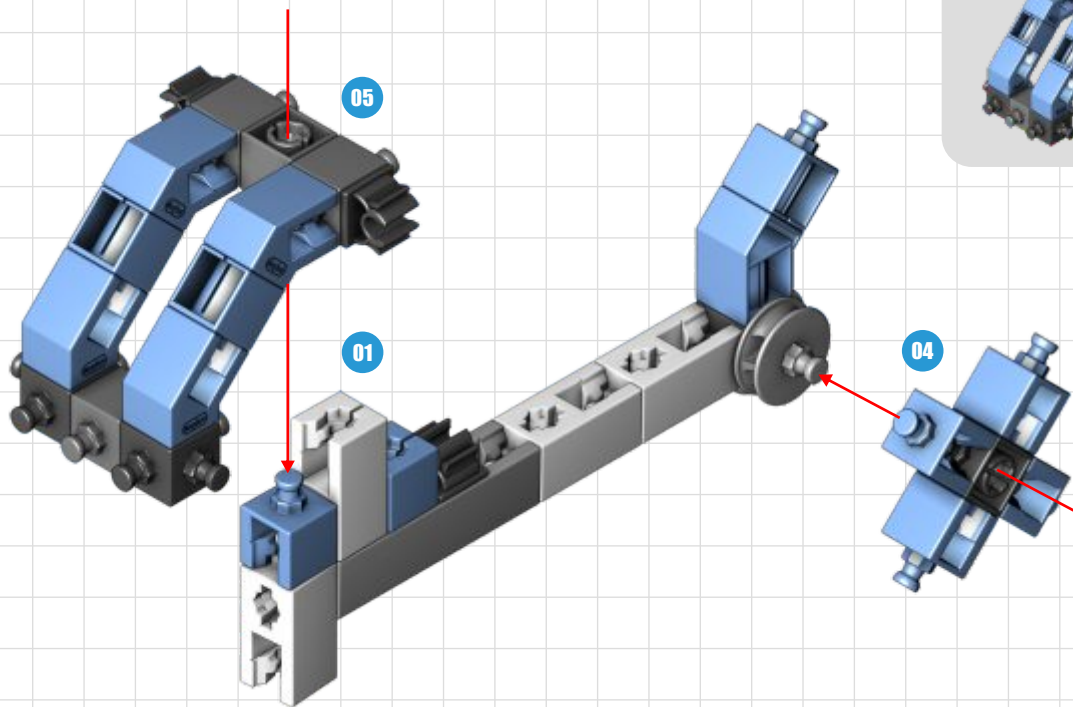


04

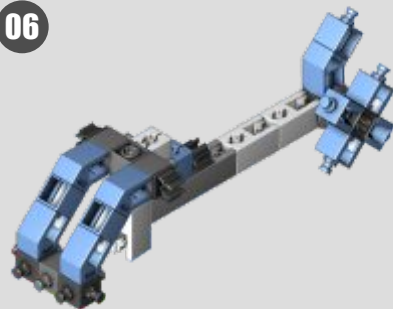


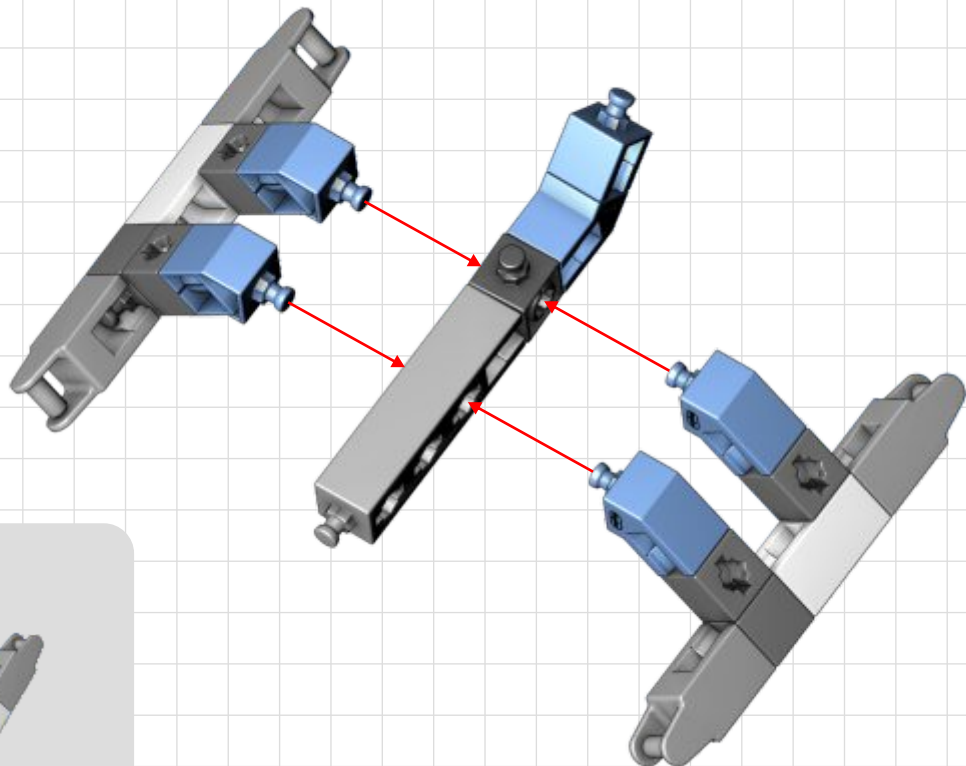
05



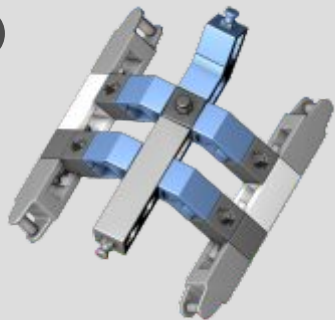


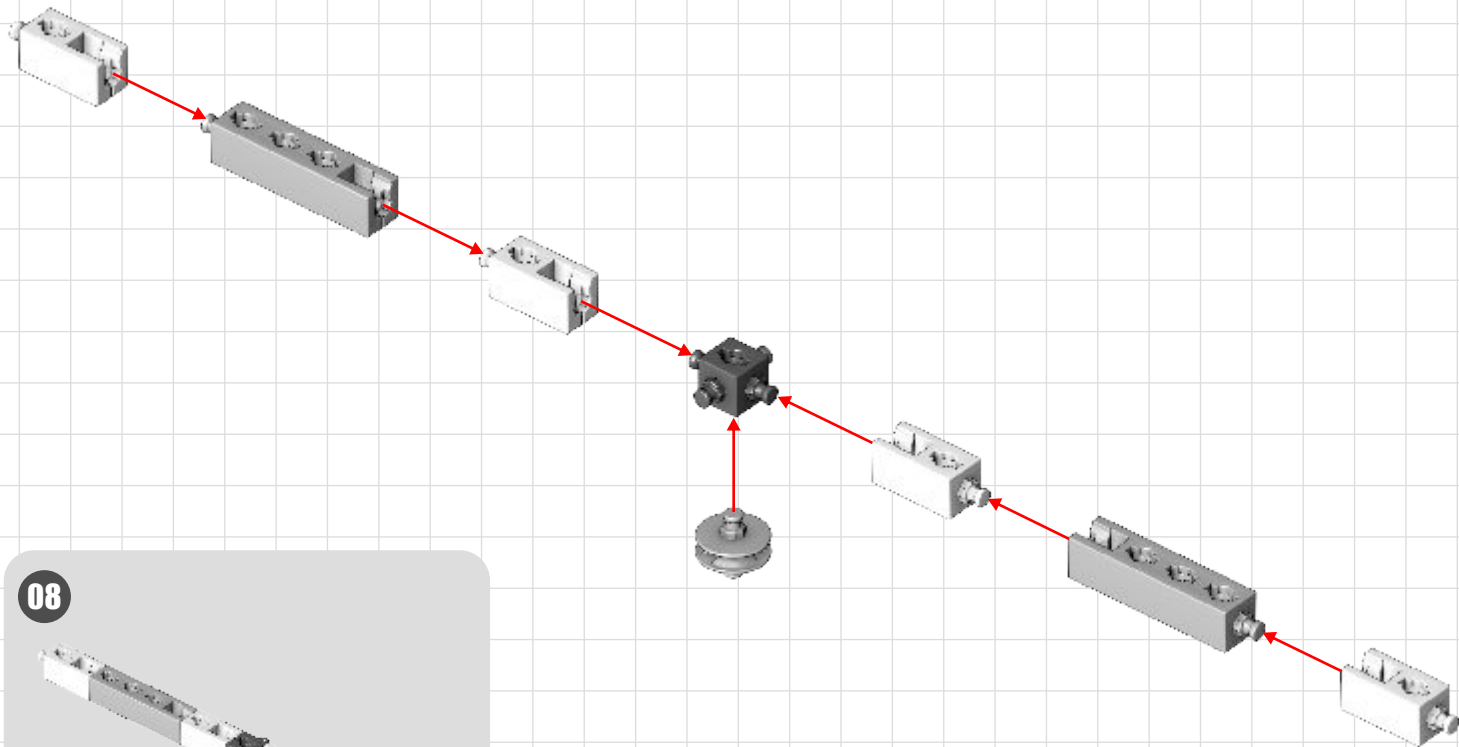
06



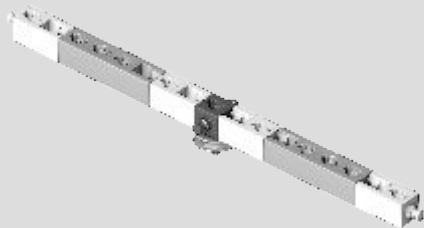


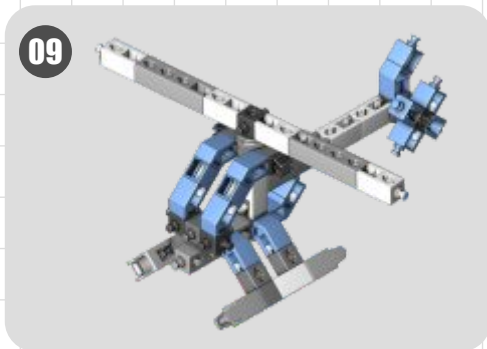
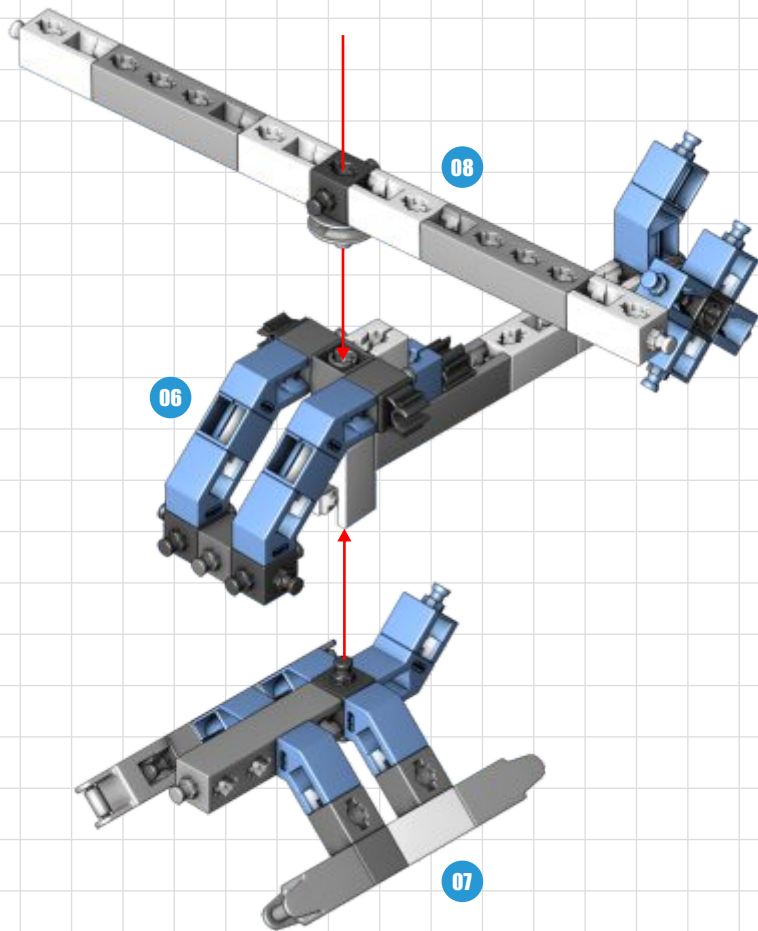
07

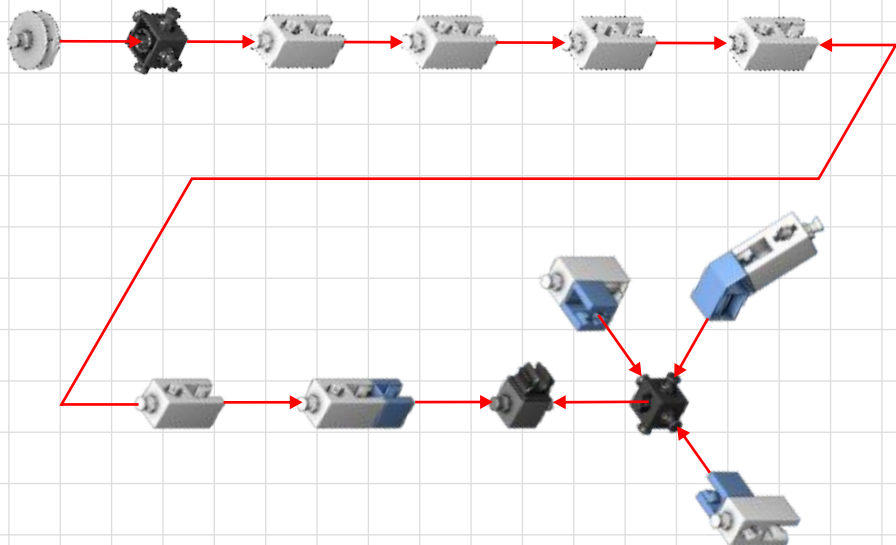
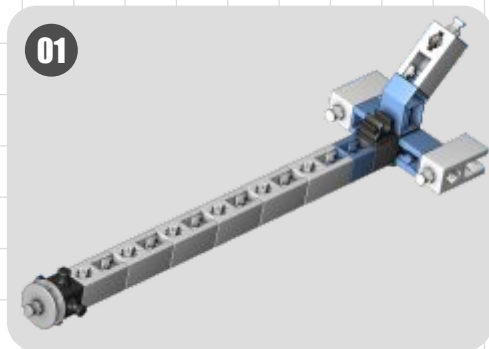




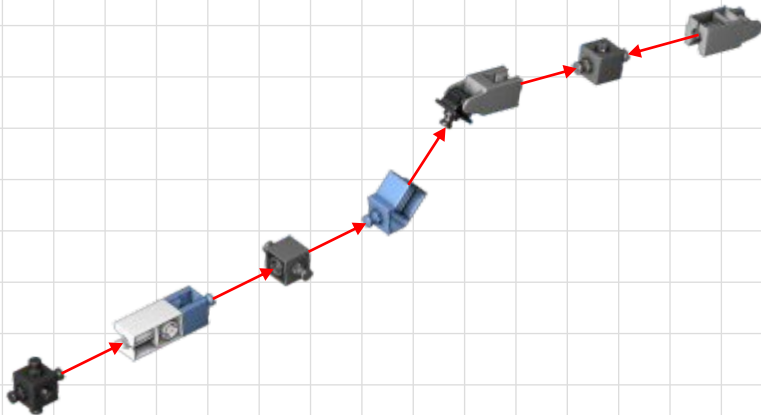
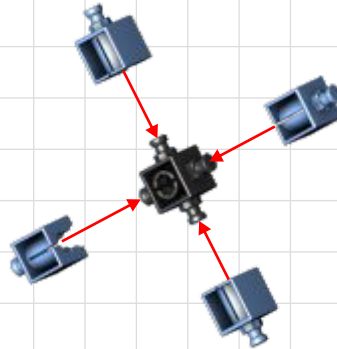
08



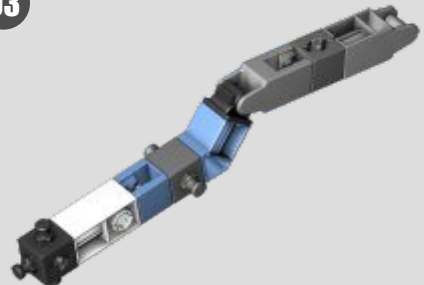


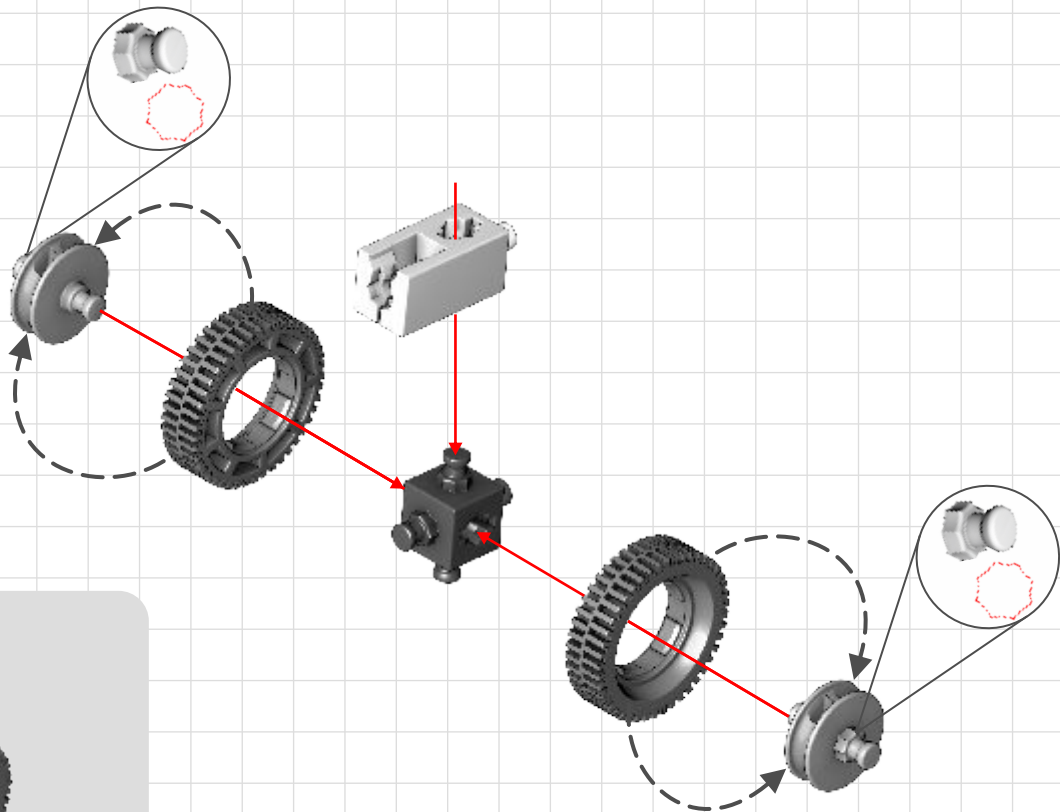


02

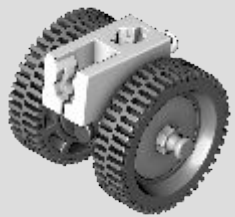


03

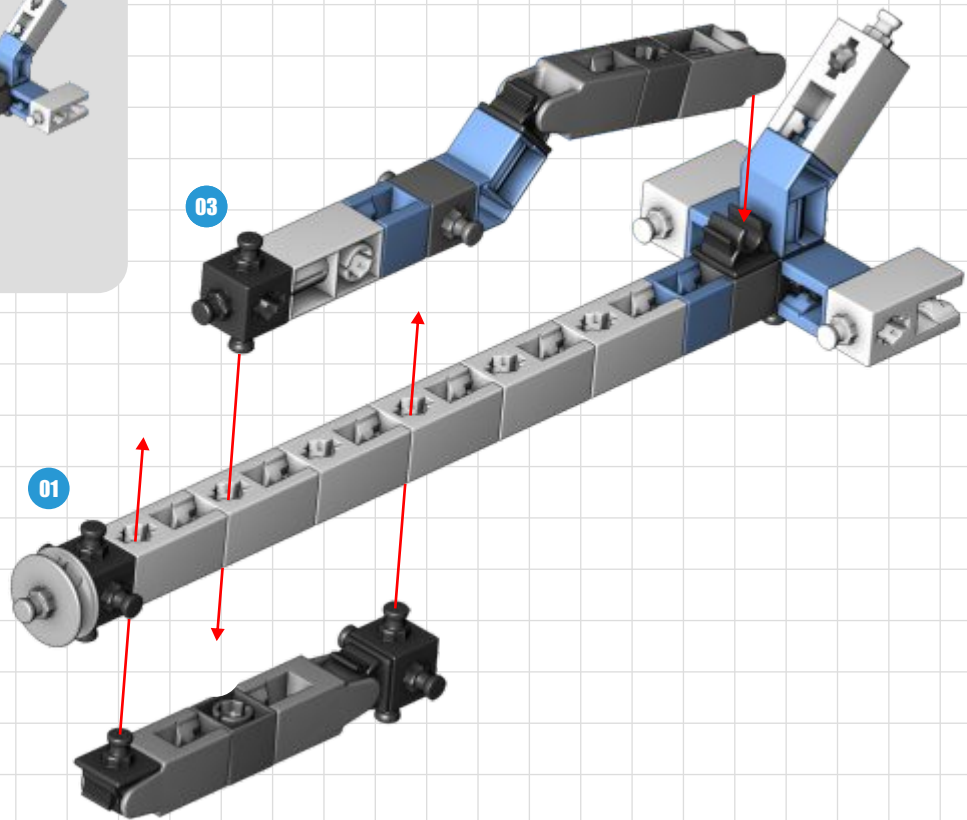
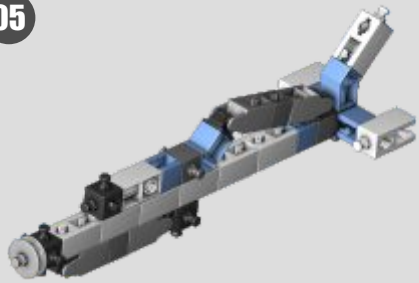




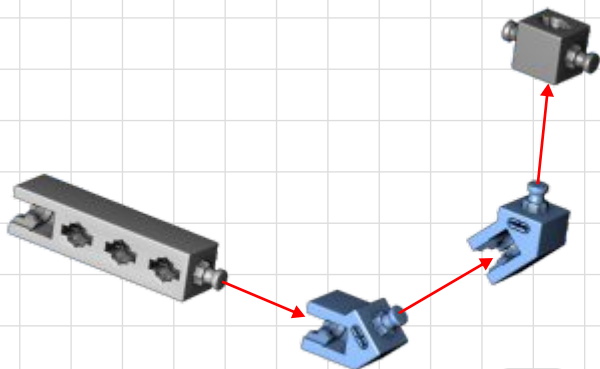
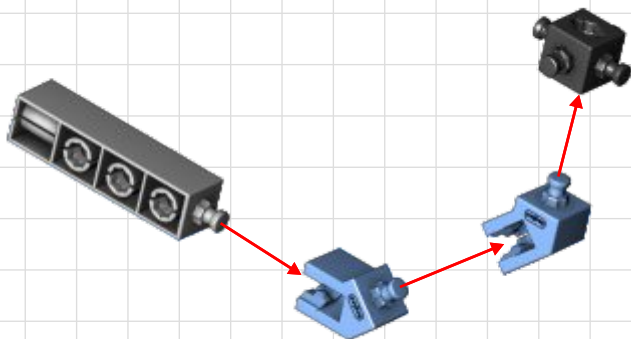
04



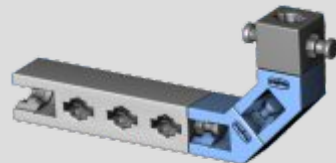
05

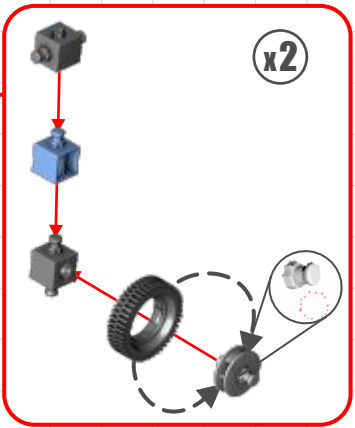
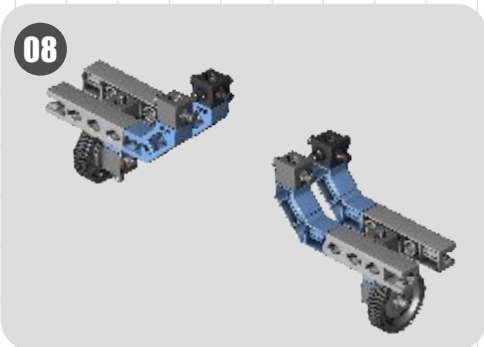
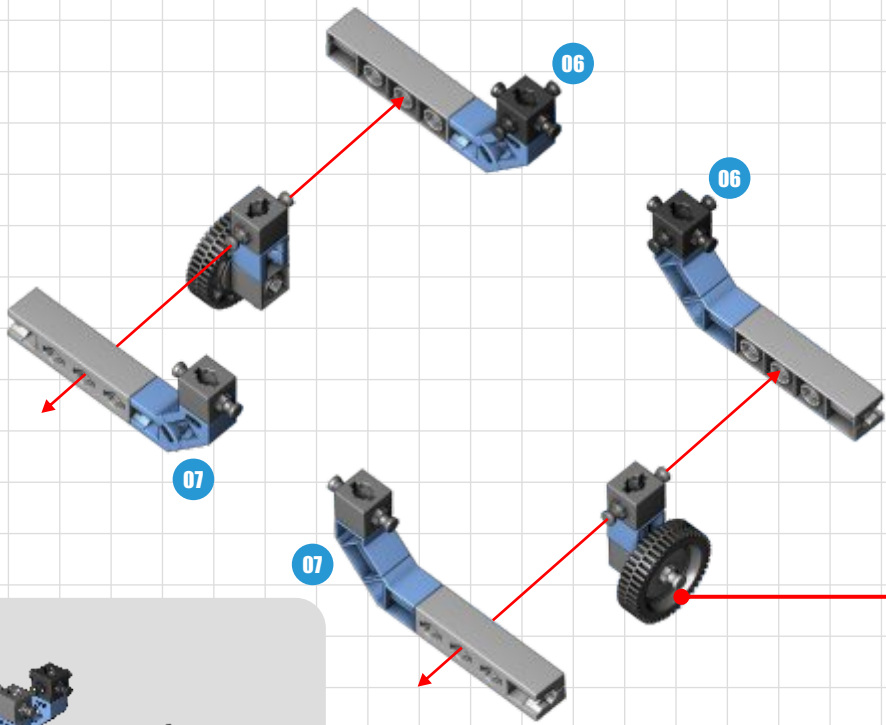


06 x2

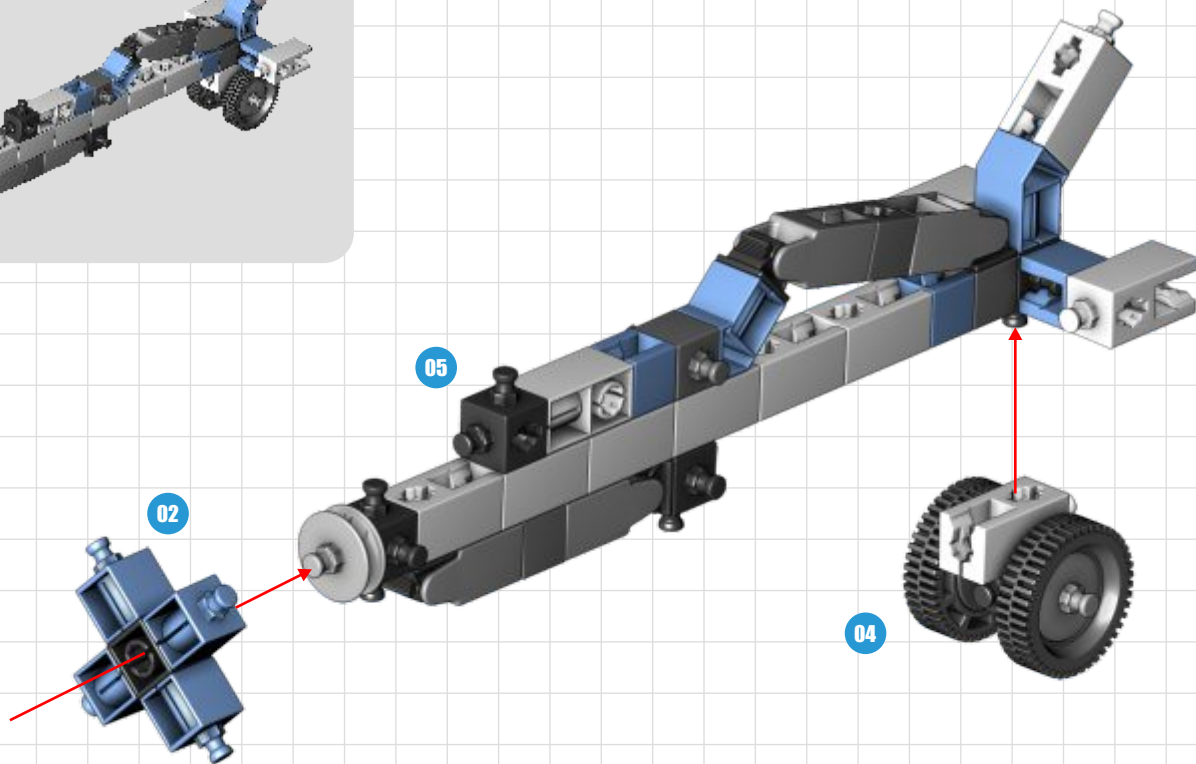
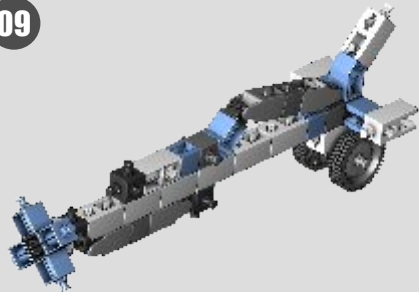


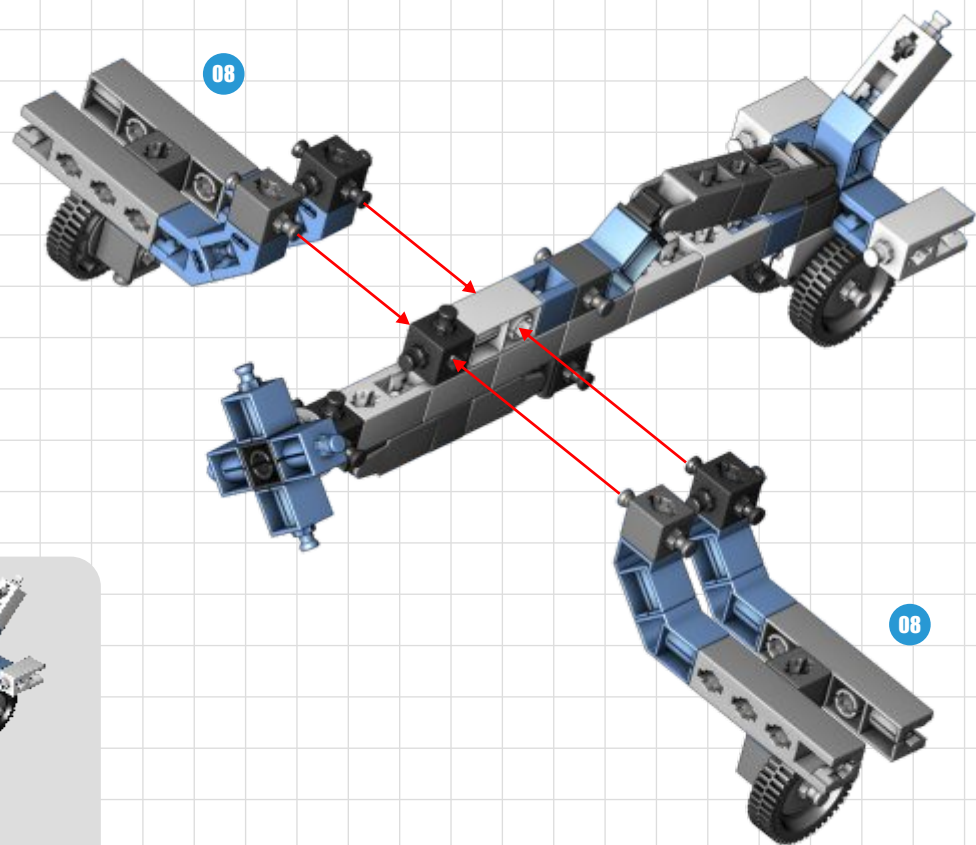
07 x2





09







x3



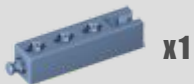
x3



x3



x1



x1



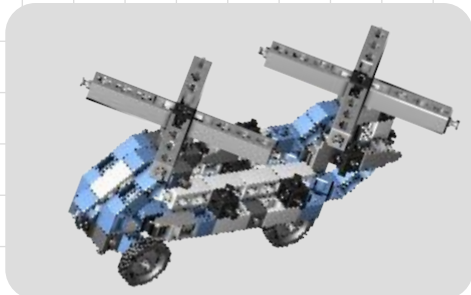
x1



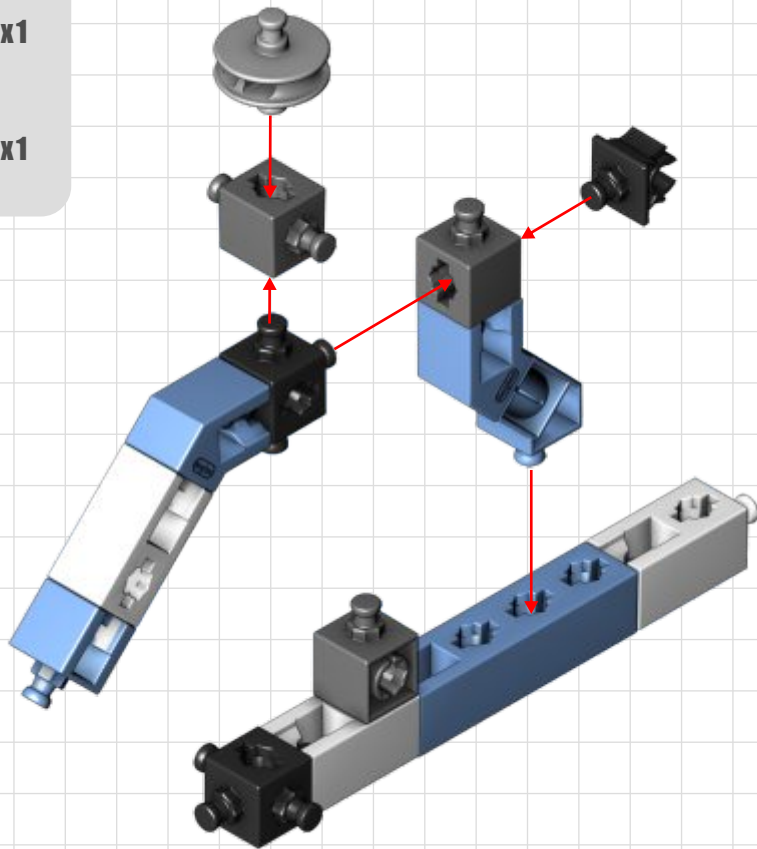
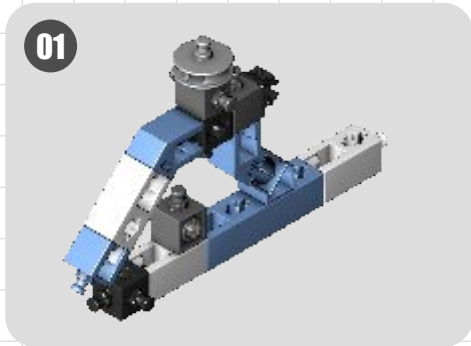
x2



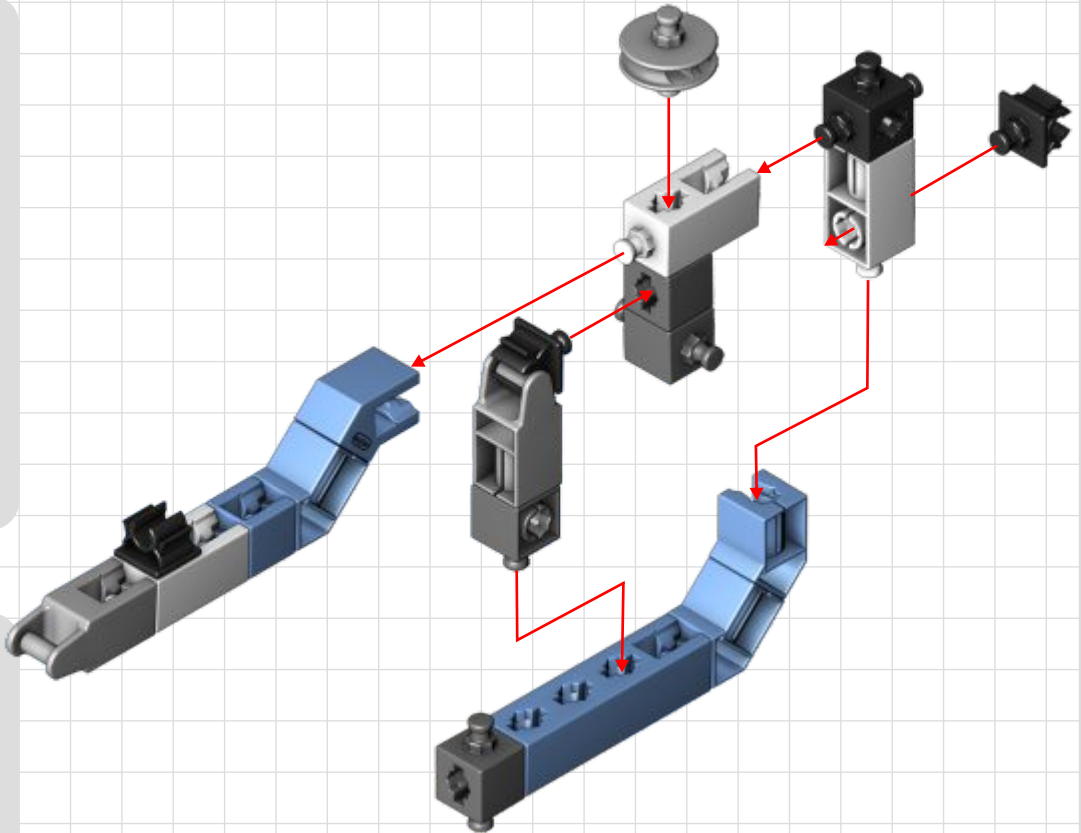
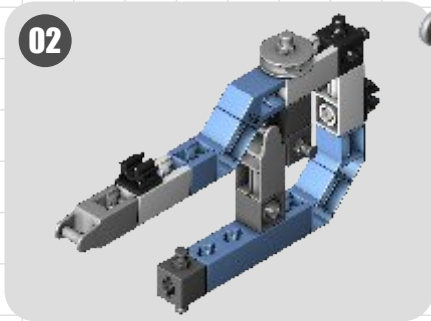
x1



01



- | | | | |
|---|----|---|----|
|  | x1 |  | x1 |
|  | x2 |  | x1 |
|  | x4 |  | x3 |
|  | x4 |  | x3 |
|  | x1 | | |





x2



x1



x2



x2



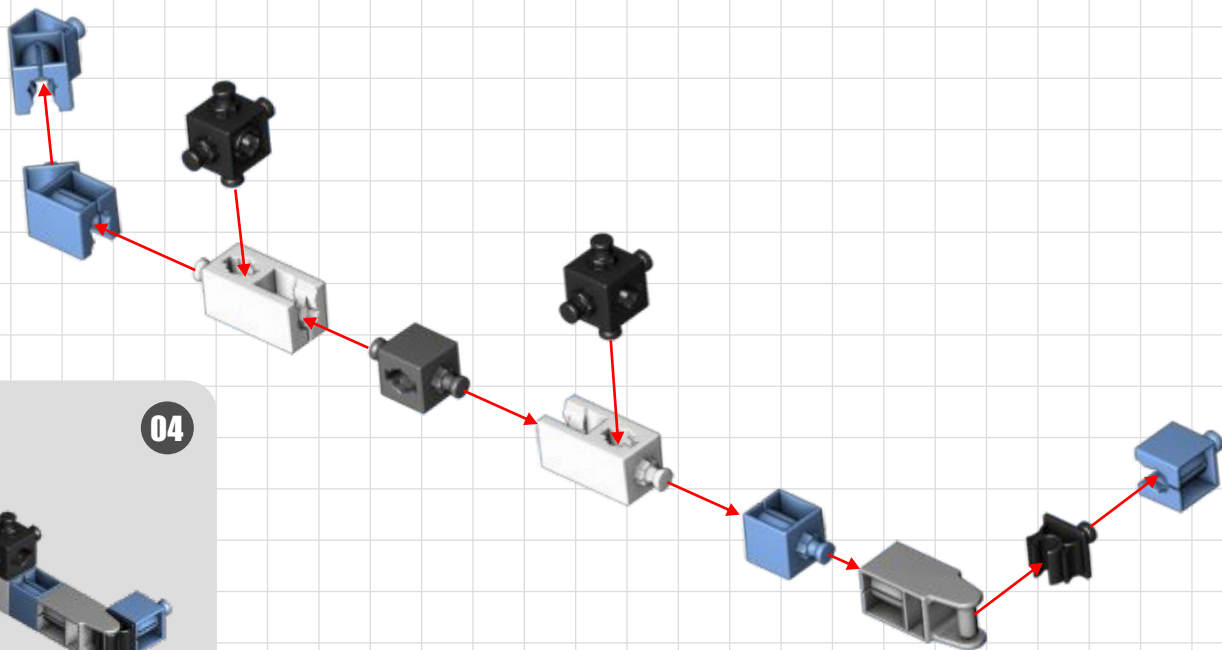
x1



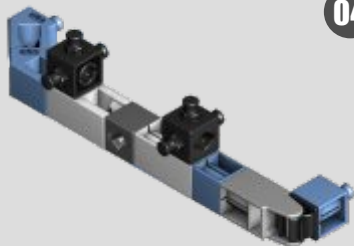
x2



x1



04





x2



x1



x2



x2



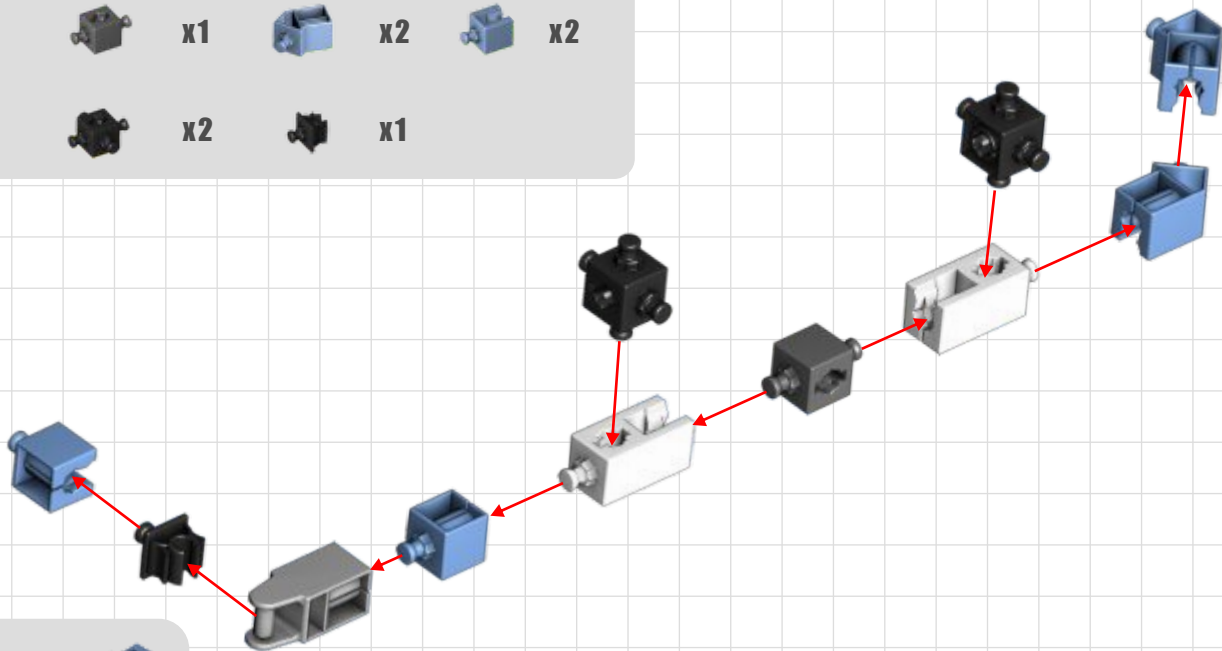
x1



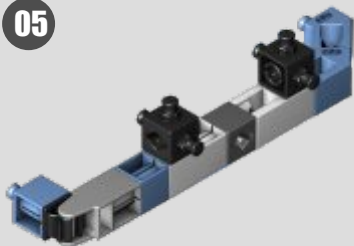
x2

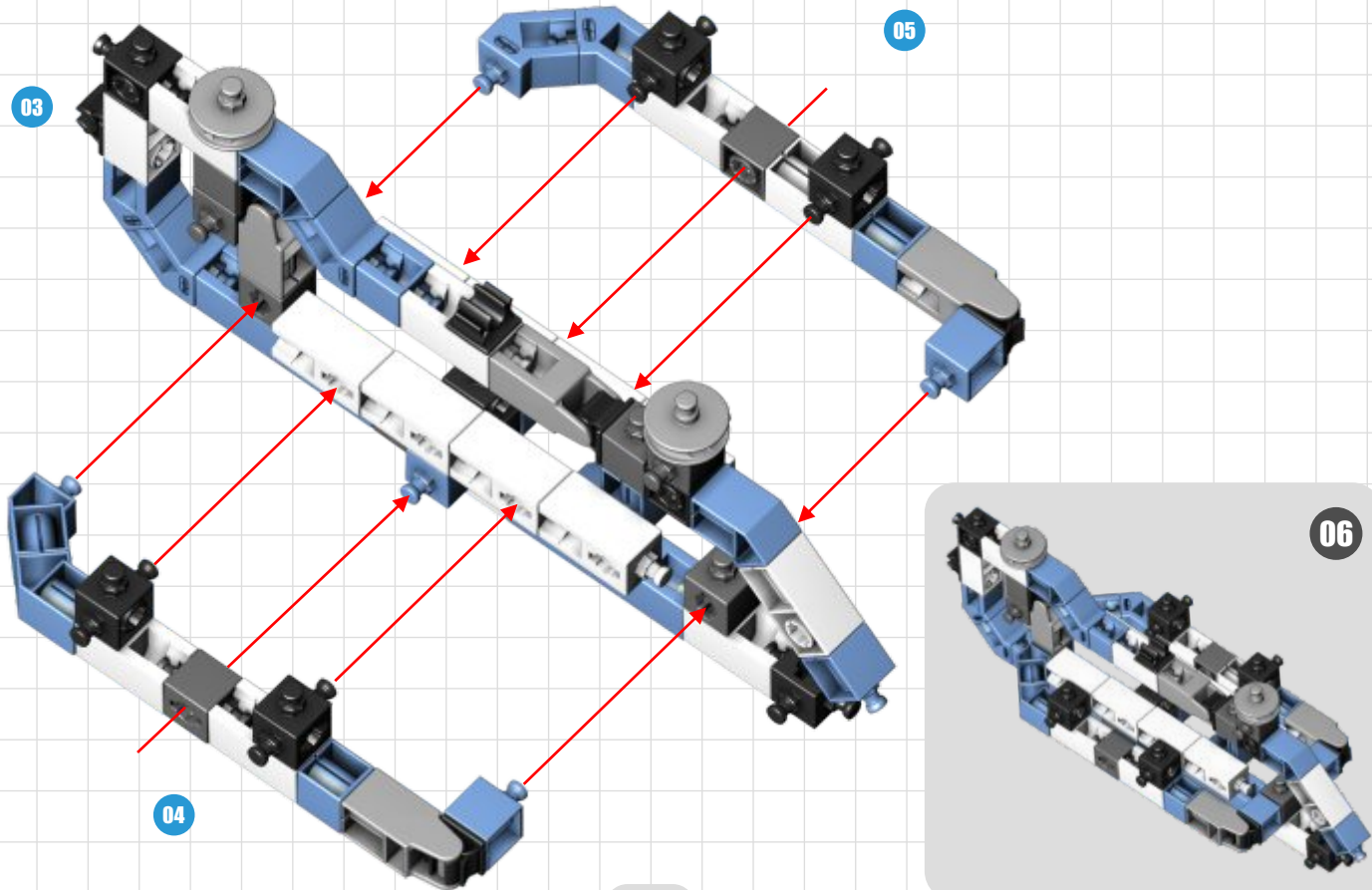


x1



05







x2



x4

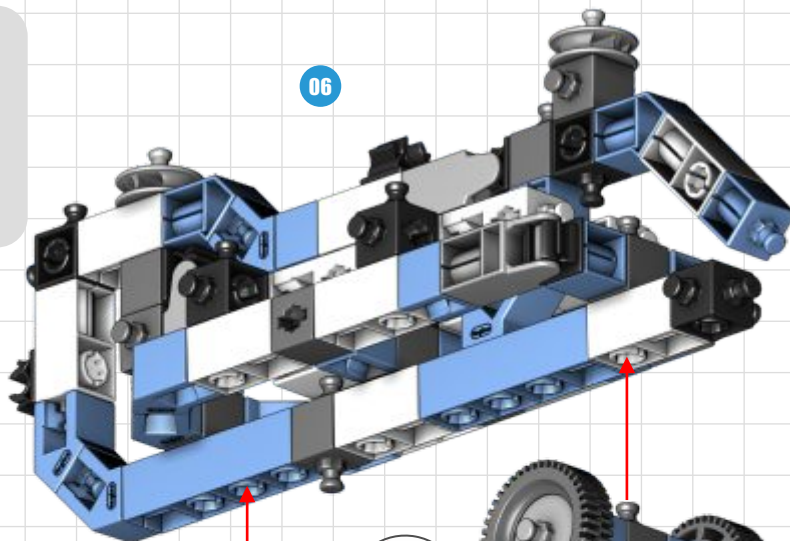


x2

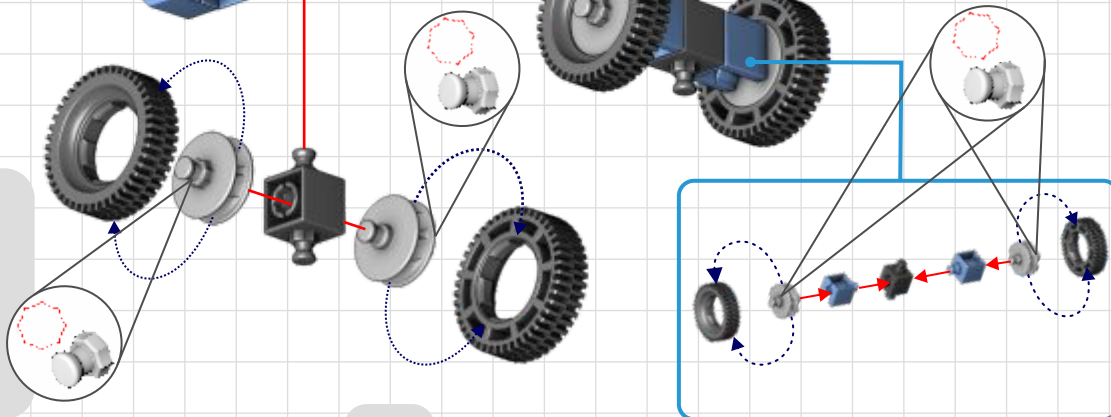
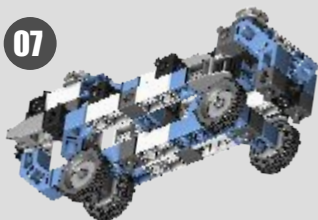


x4

06



07





x8



x2



x2



x4

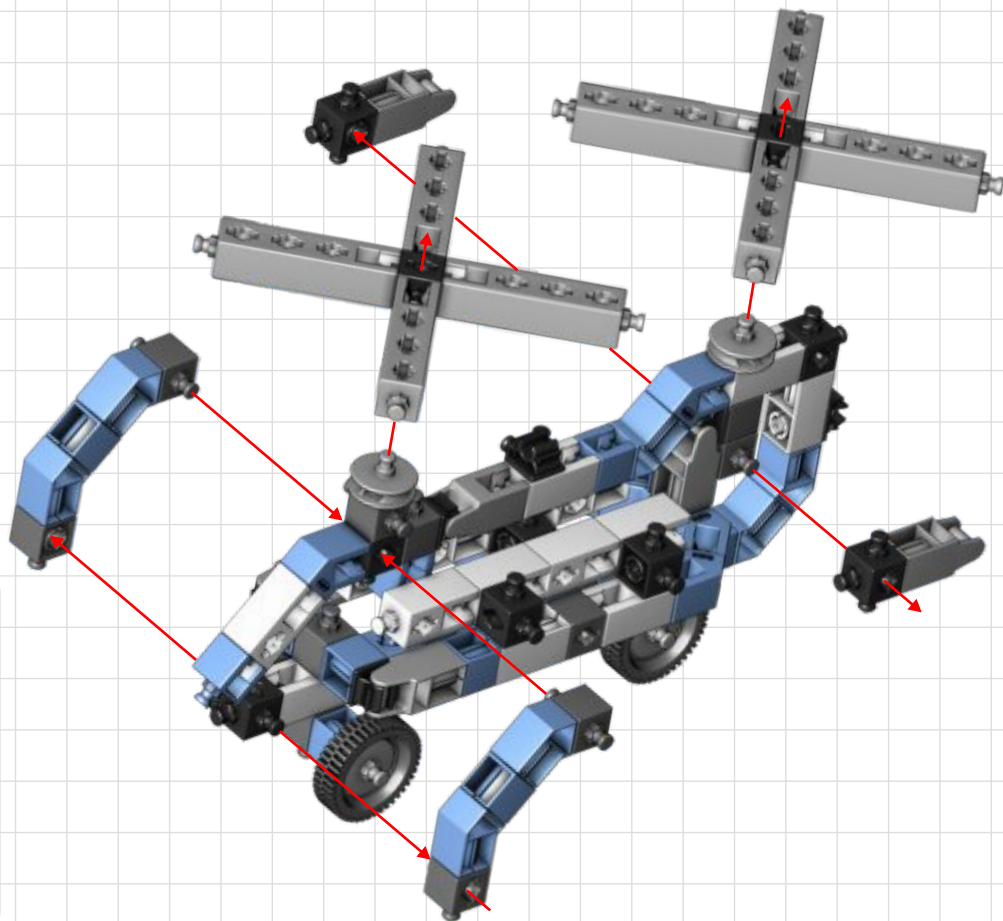


x4



x4

08





x8



x2



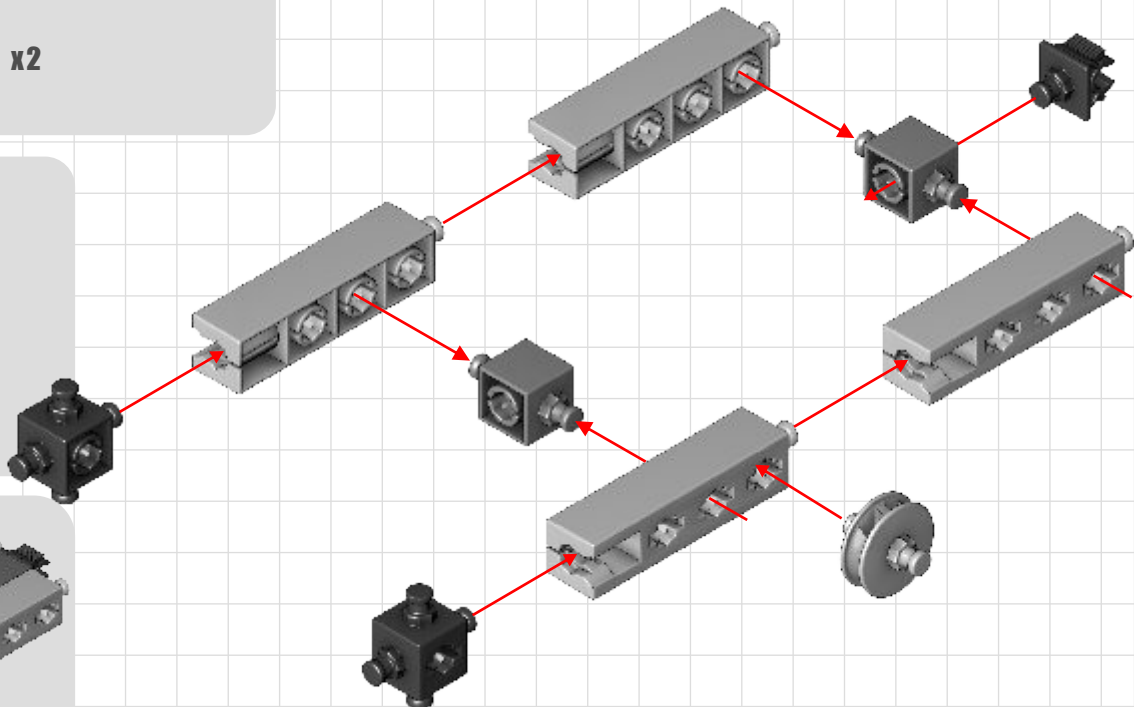
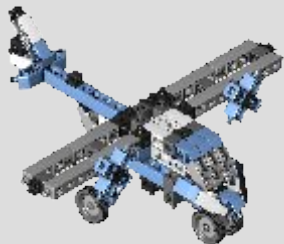
x4



x4

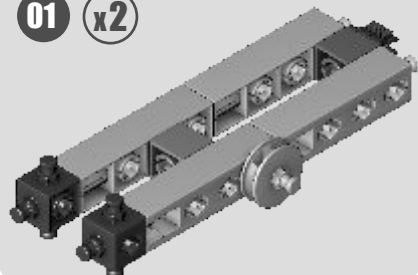


x2



01

x2





x4



x5



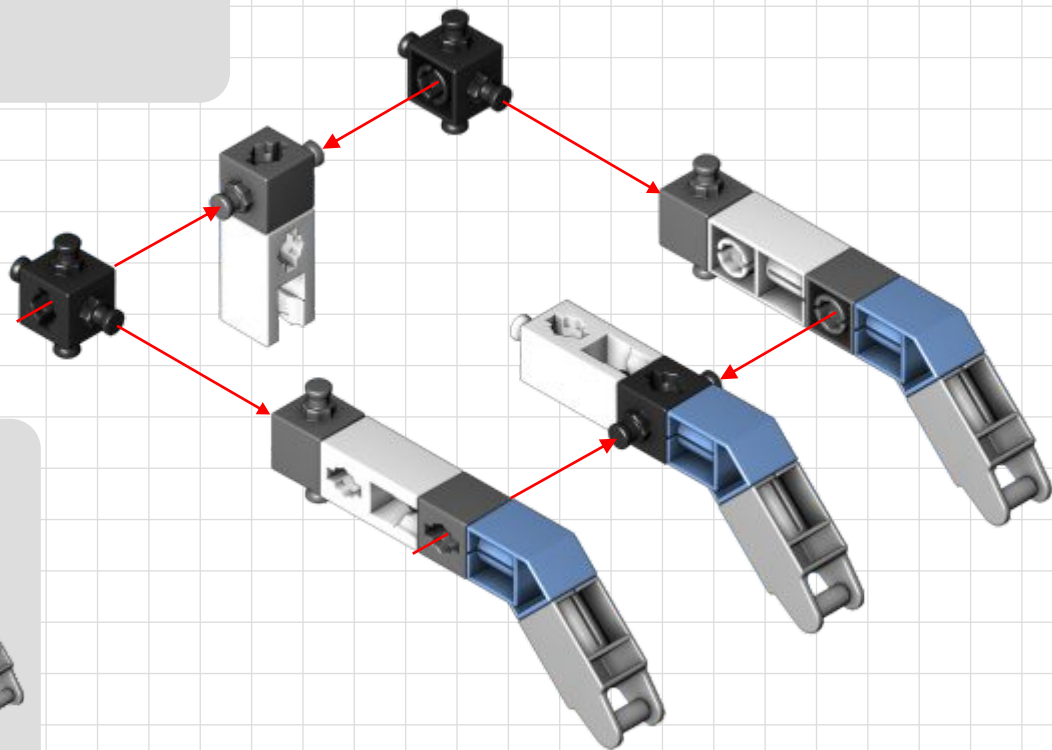
x3



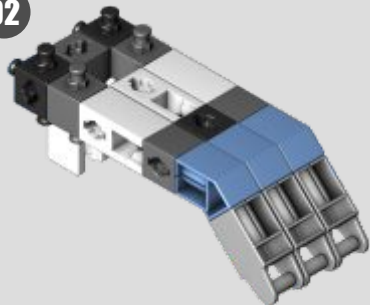
x3



x3



02

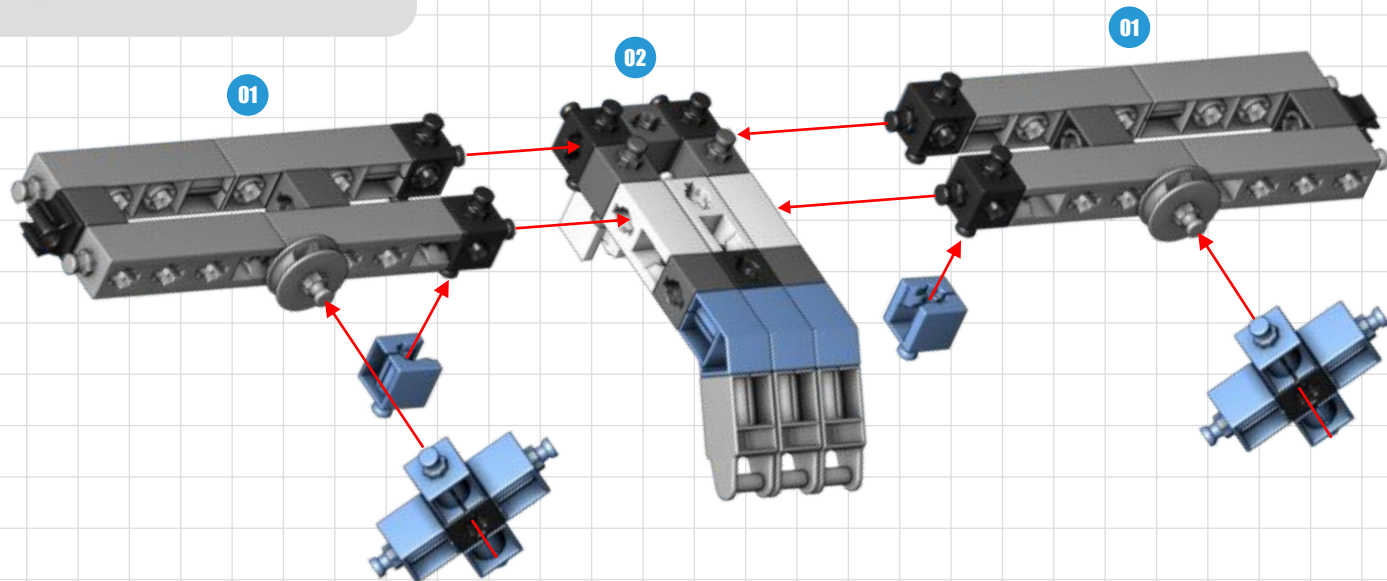




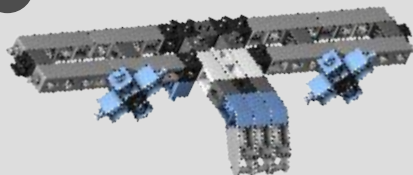
x2

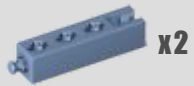


x10



03





x2



x3



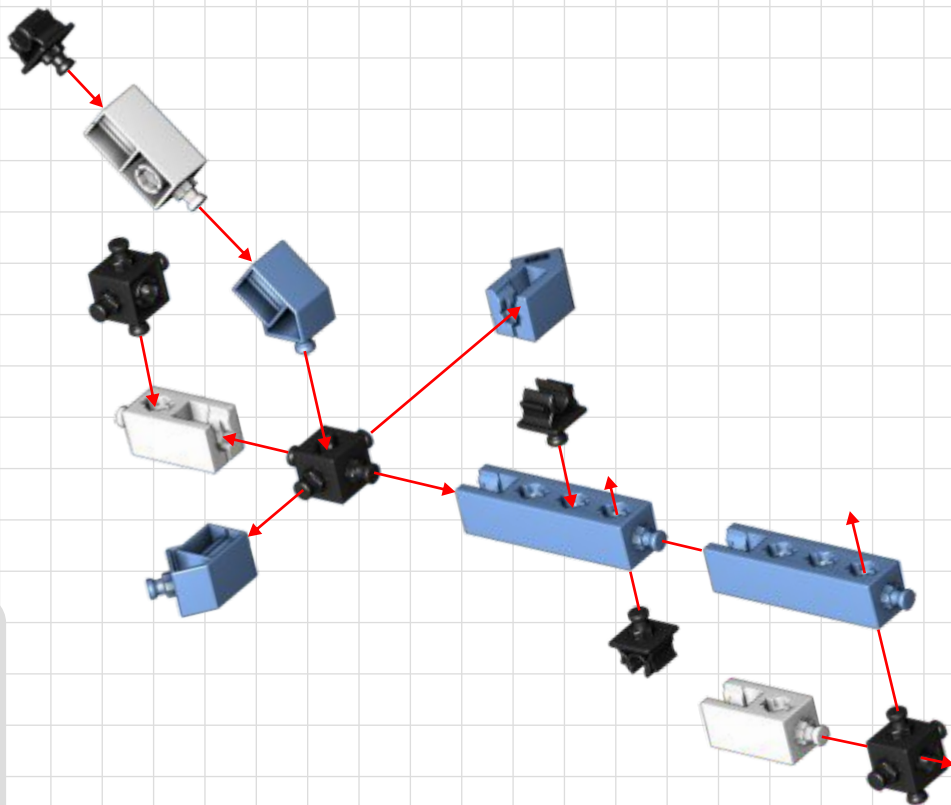
x3



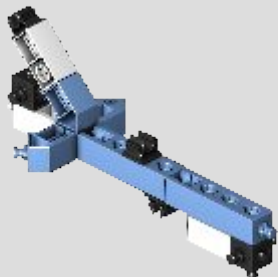
x3

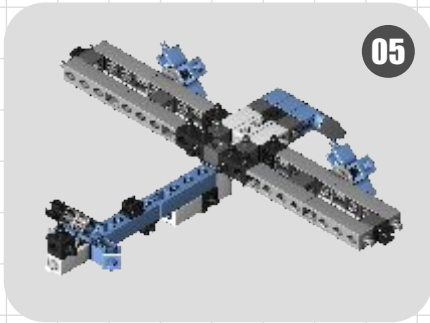
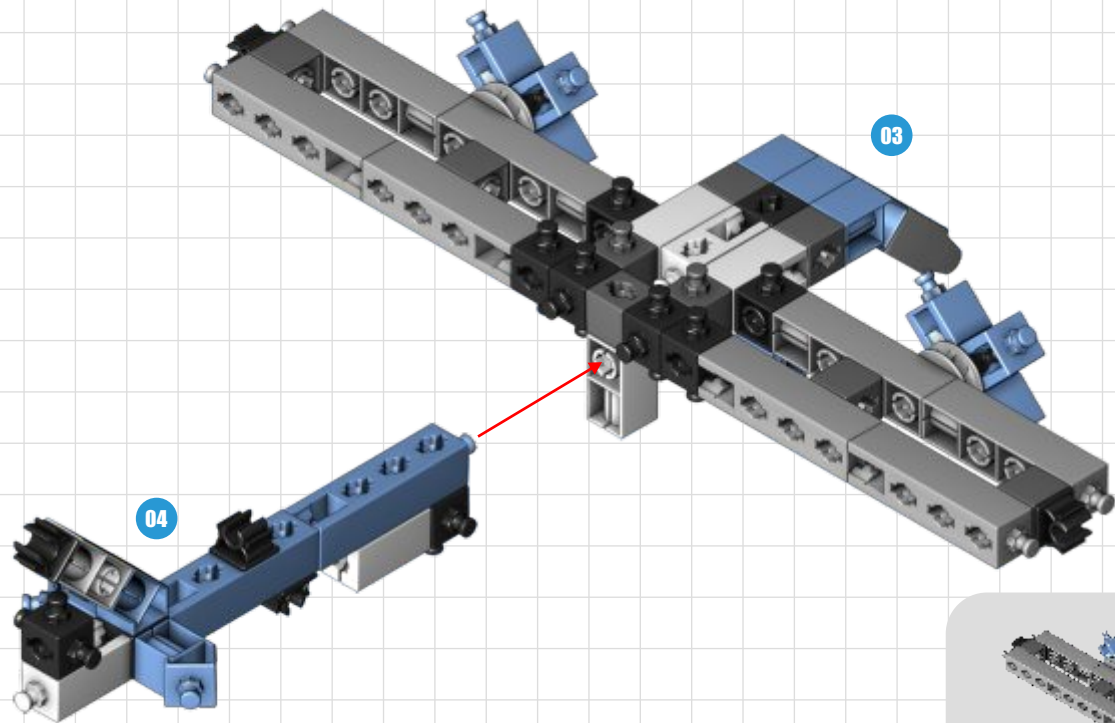


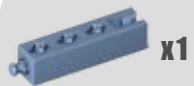
x3



04







x1



x2



x1



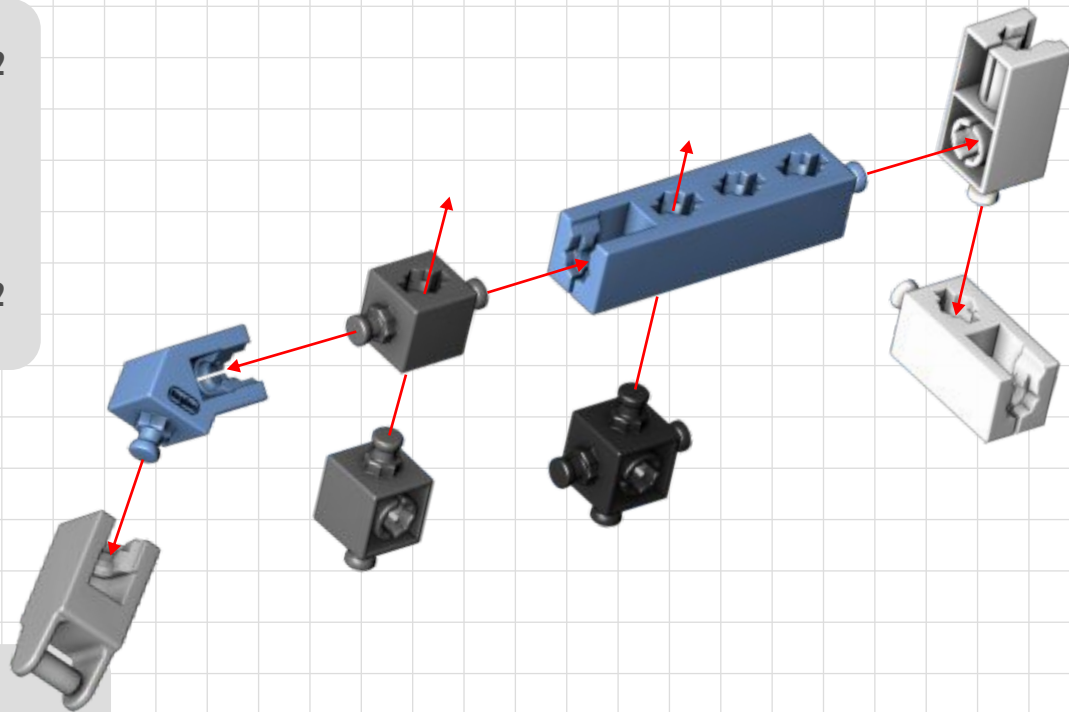
x1



x1

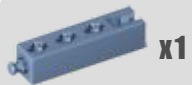


x2



06





x1



x2



x1



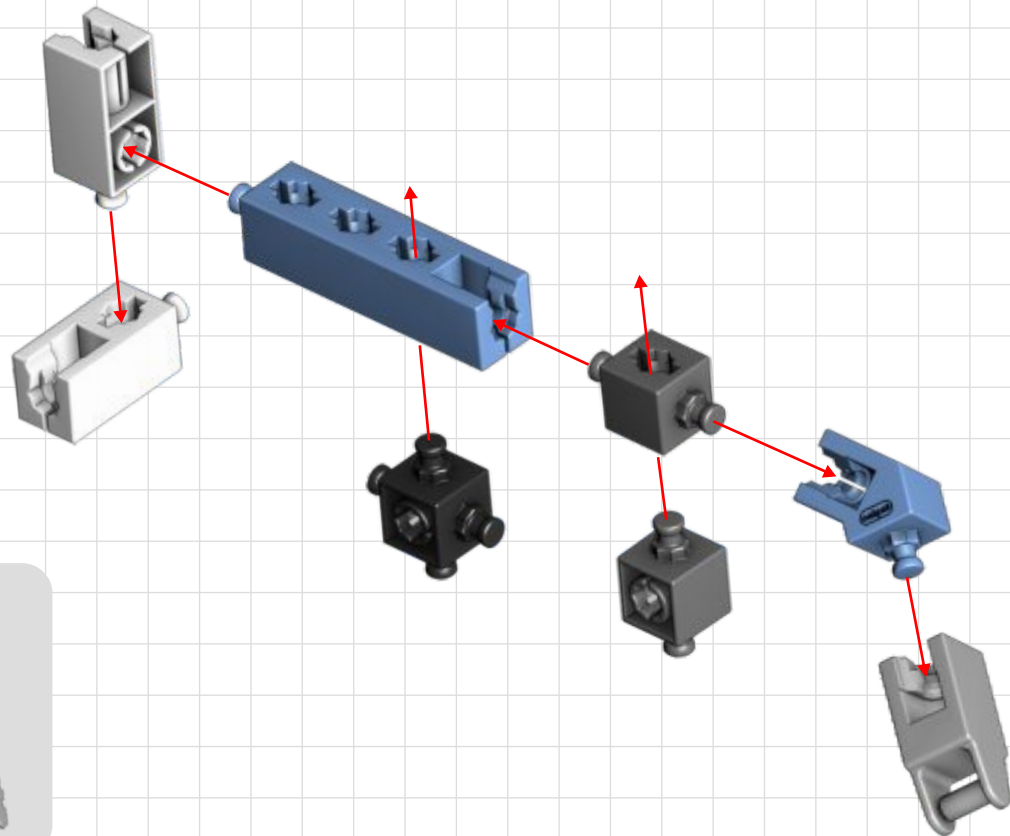
x1



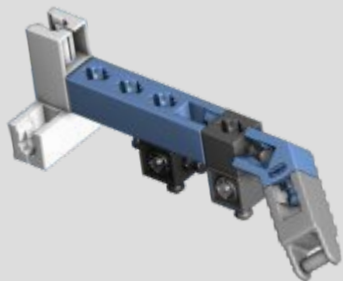
x1



x2



07





x2



x2



x1



x3



x2



x3



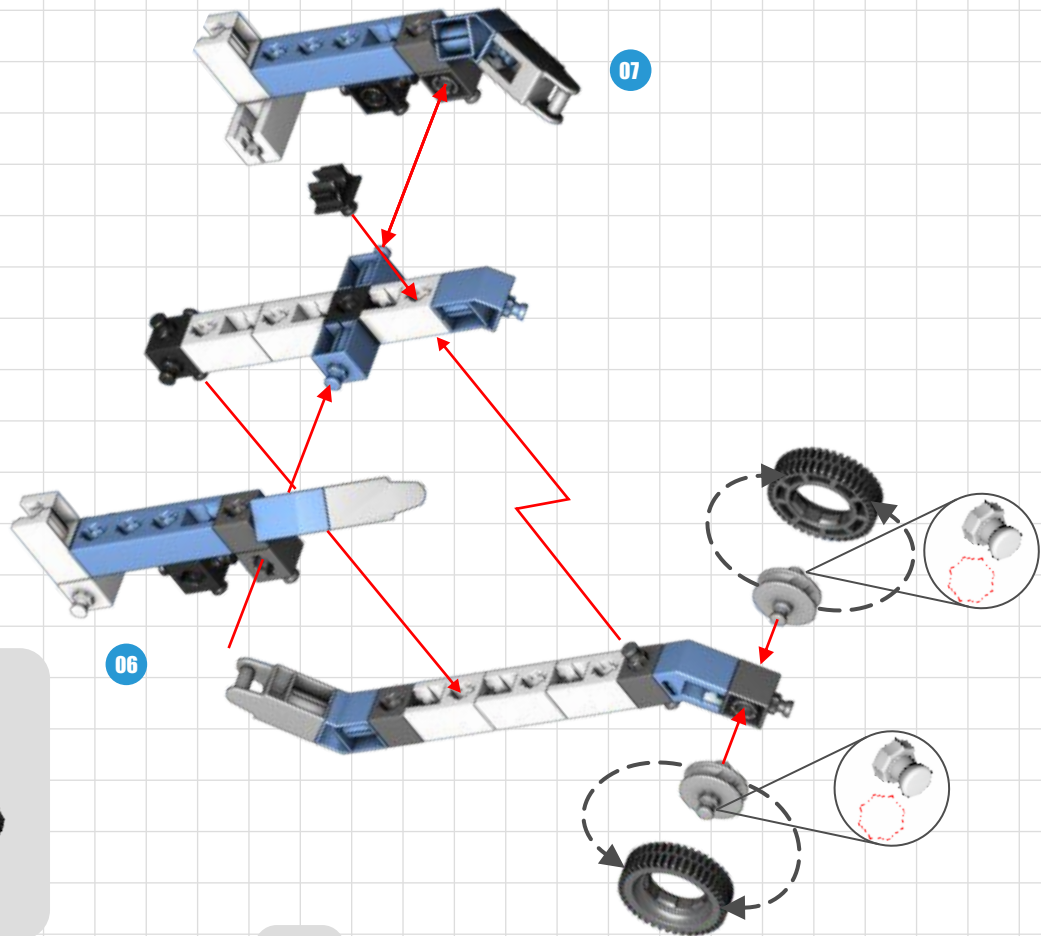
x6



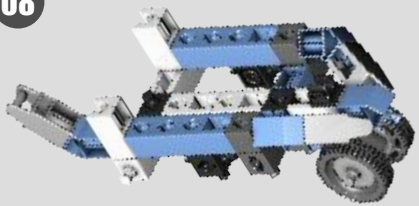
x2



x1



08





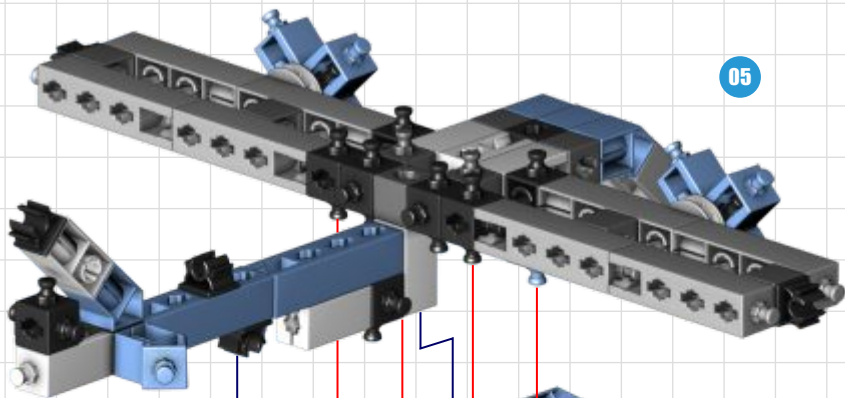
x2



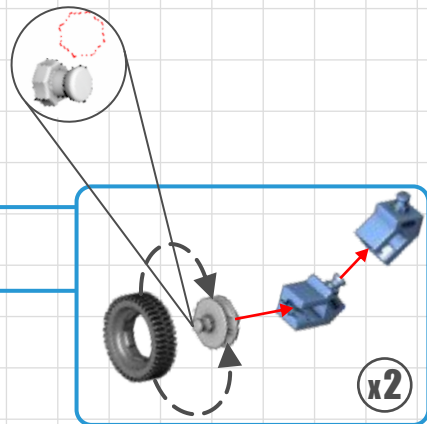
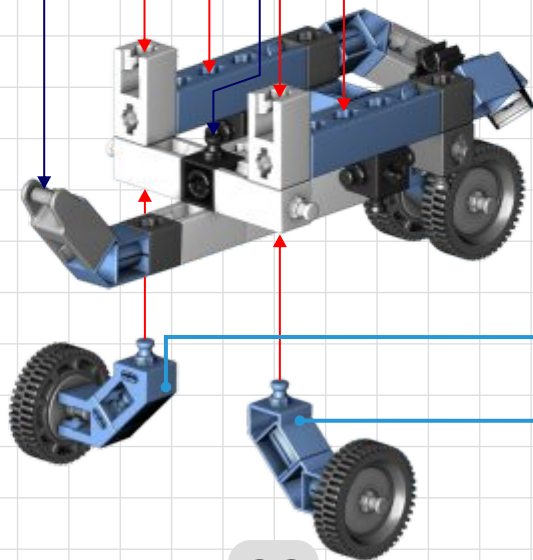
x2

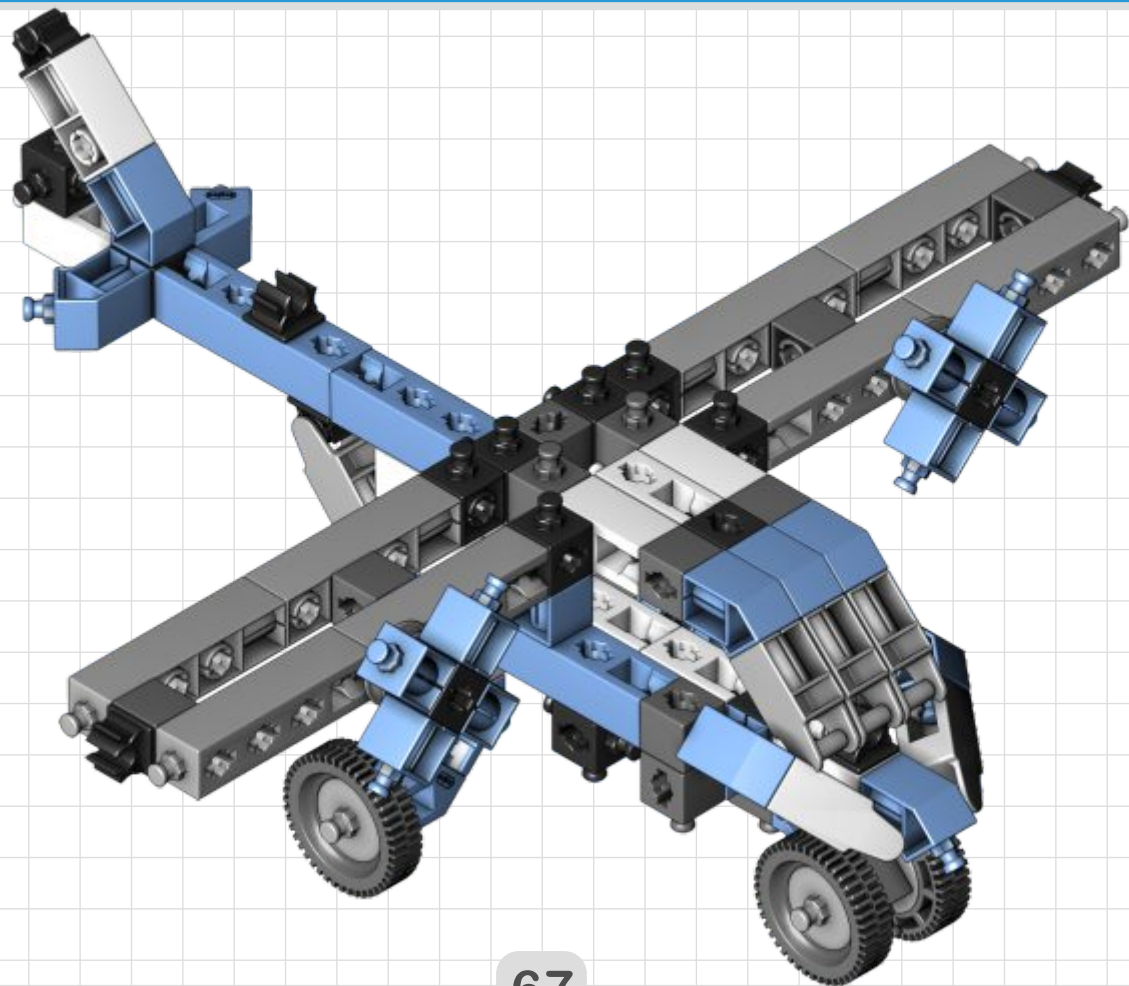


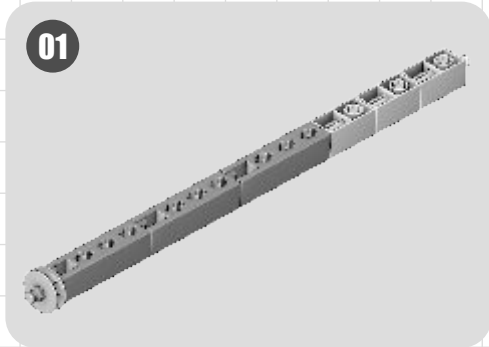
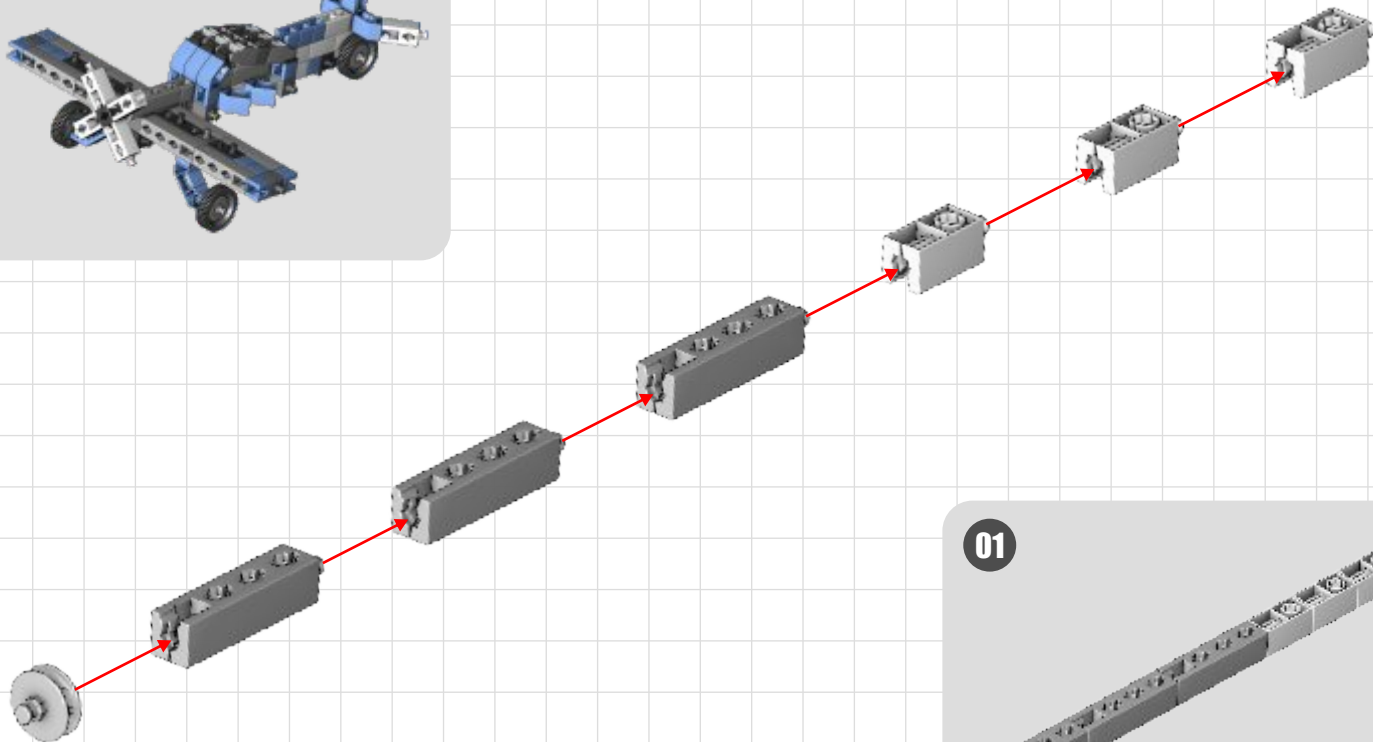
x4



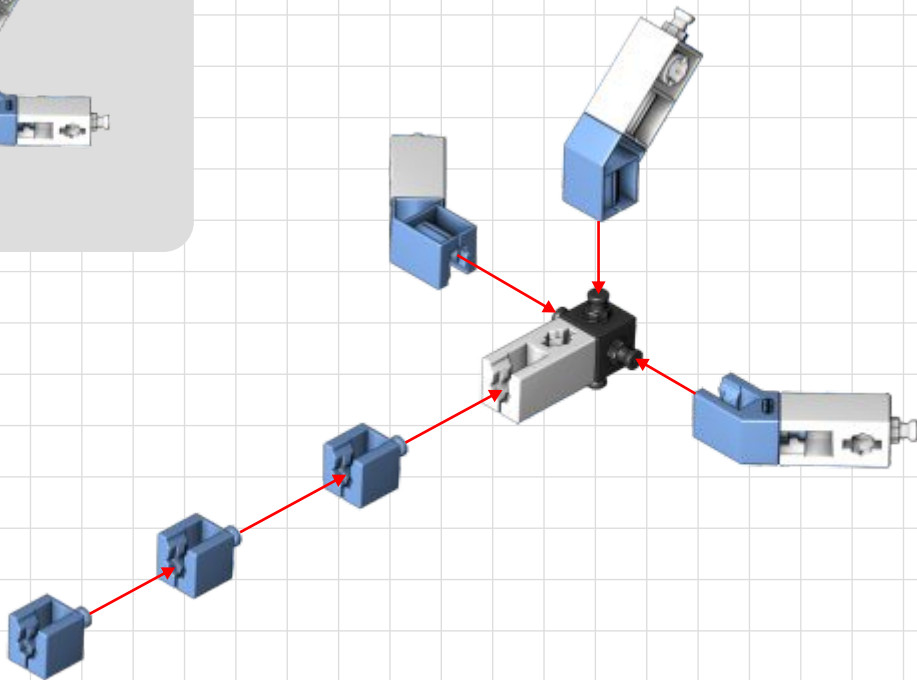
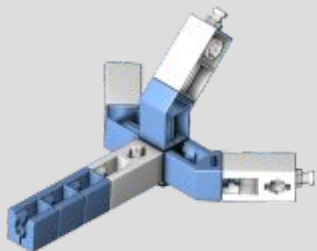
08



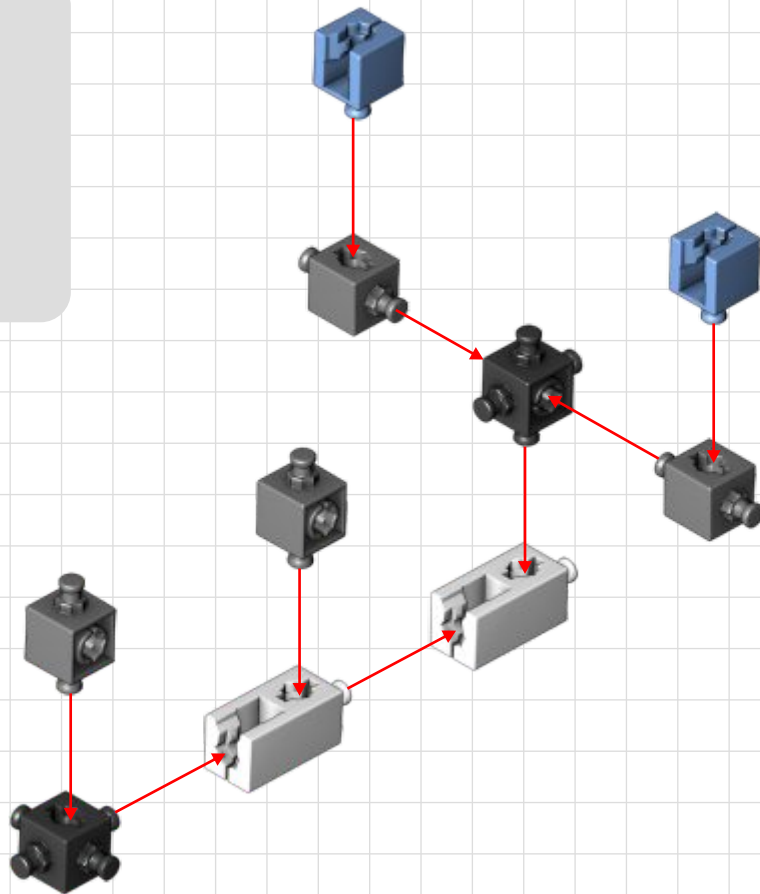
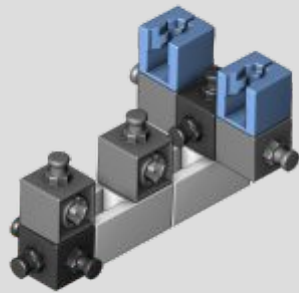




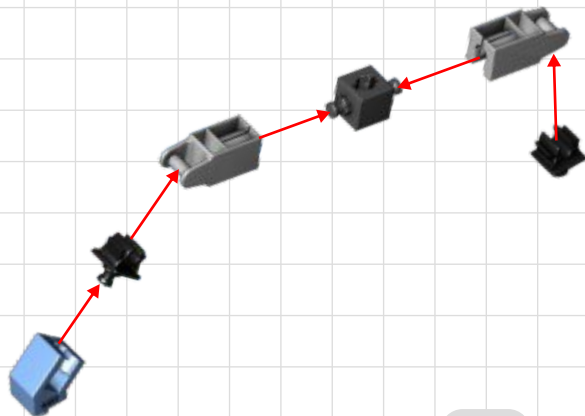
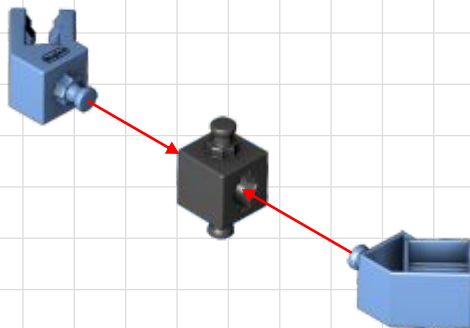
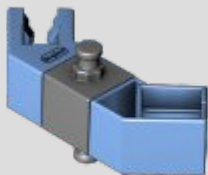
02



03



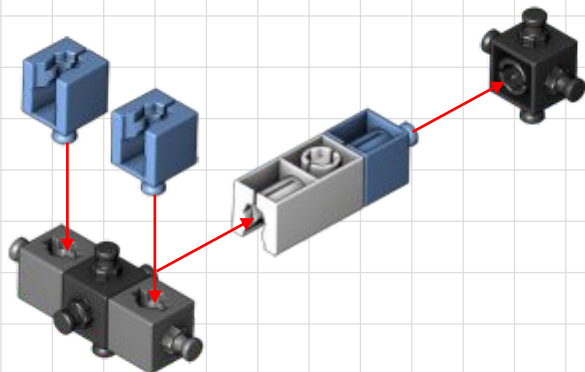
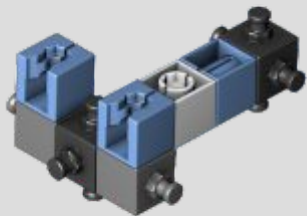
04 x2



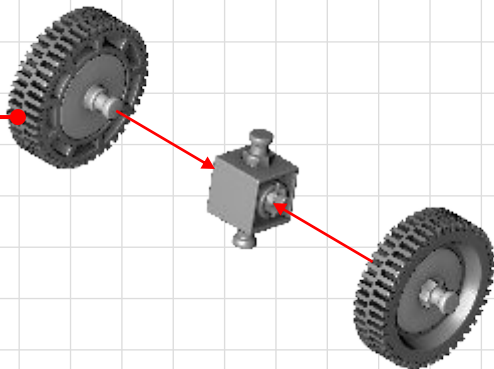
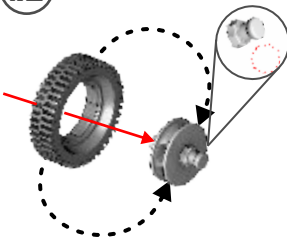
05 x3



06



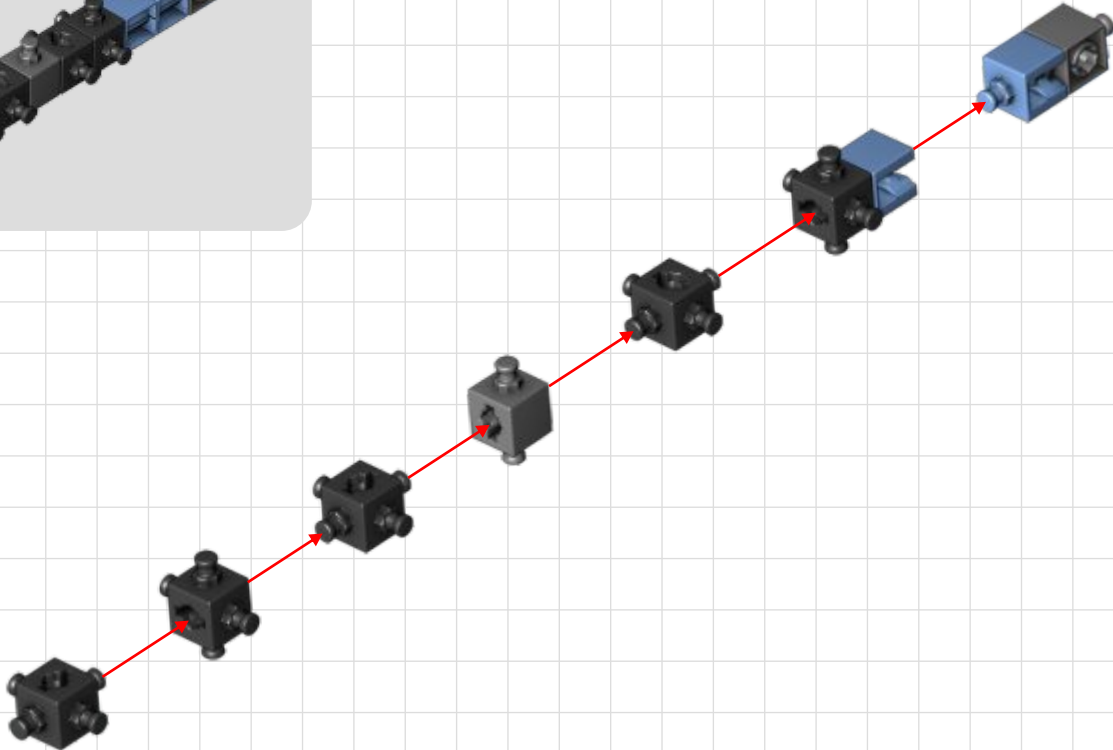
x2



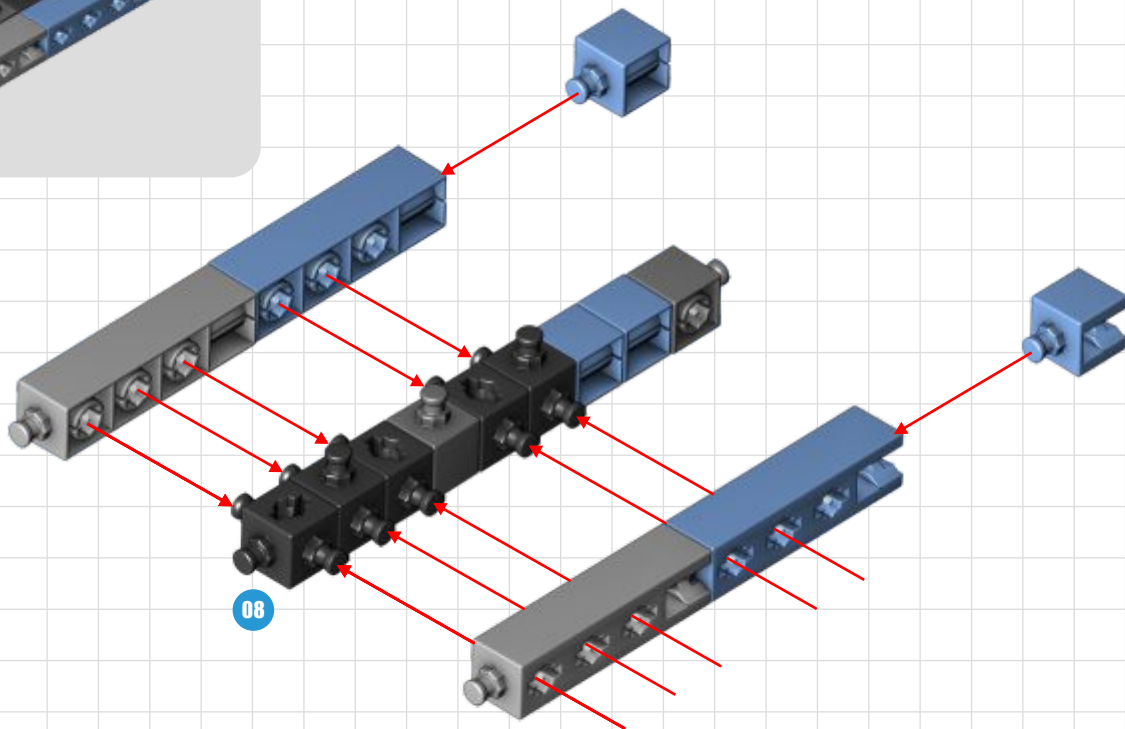
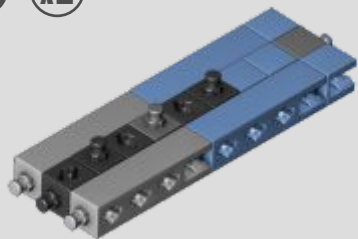
07



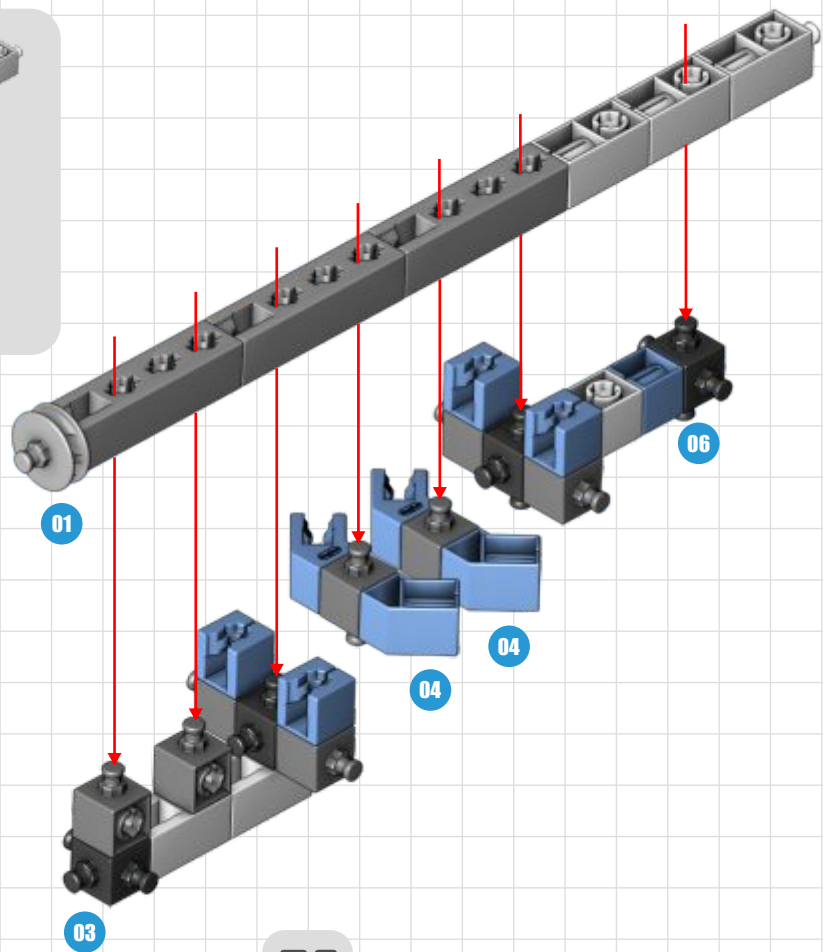
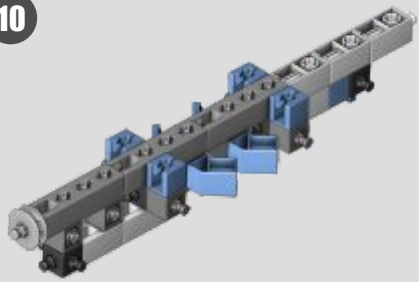
08 x2



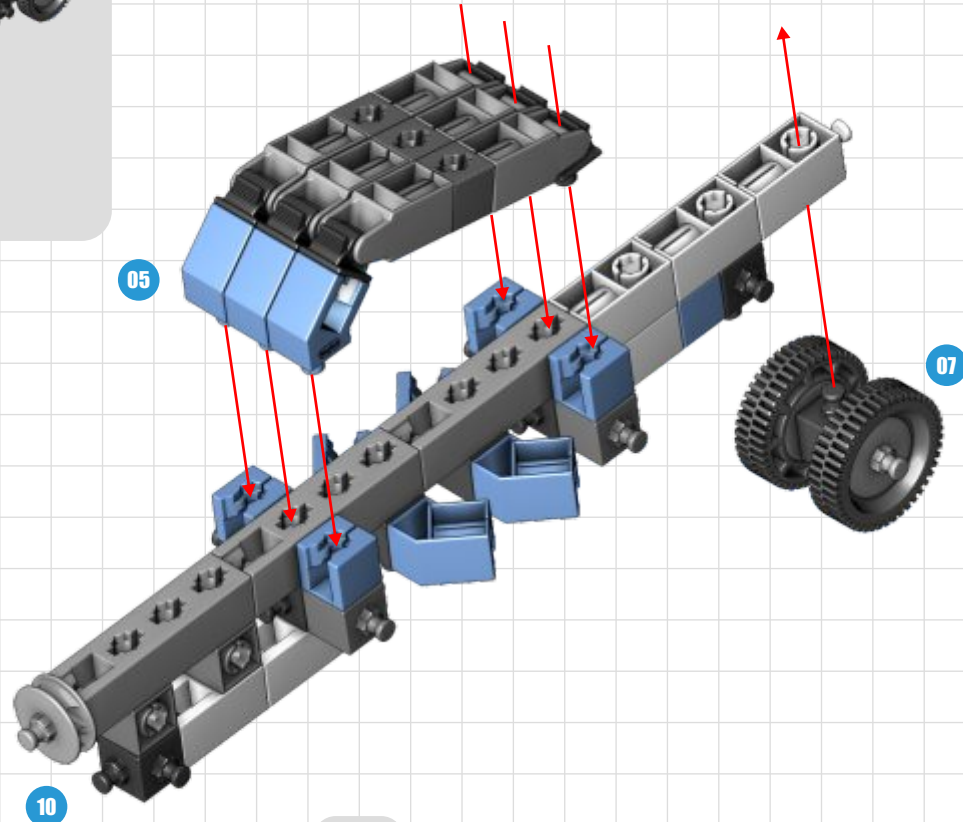
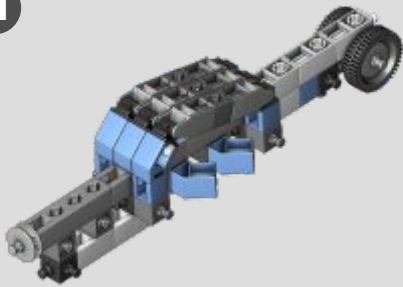
09 x2



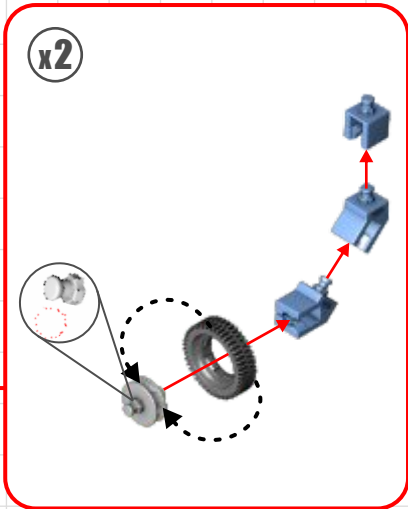
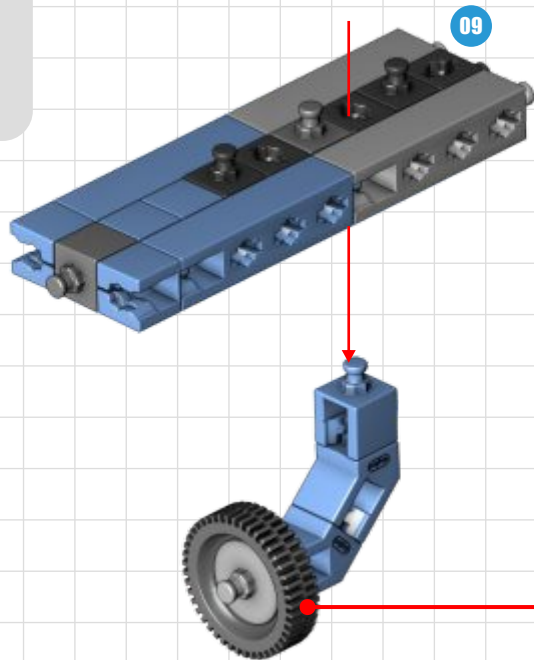
10



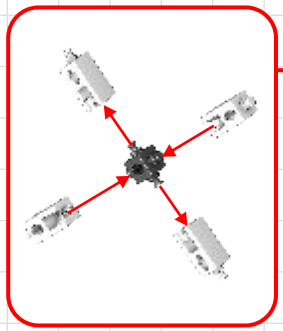
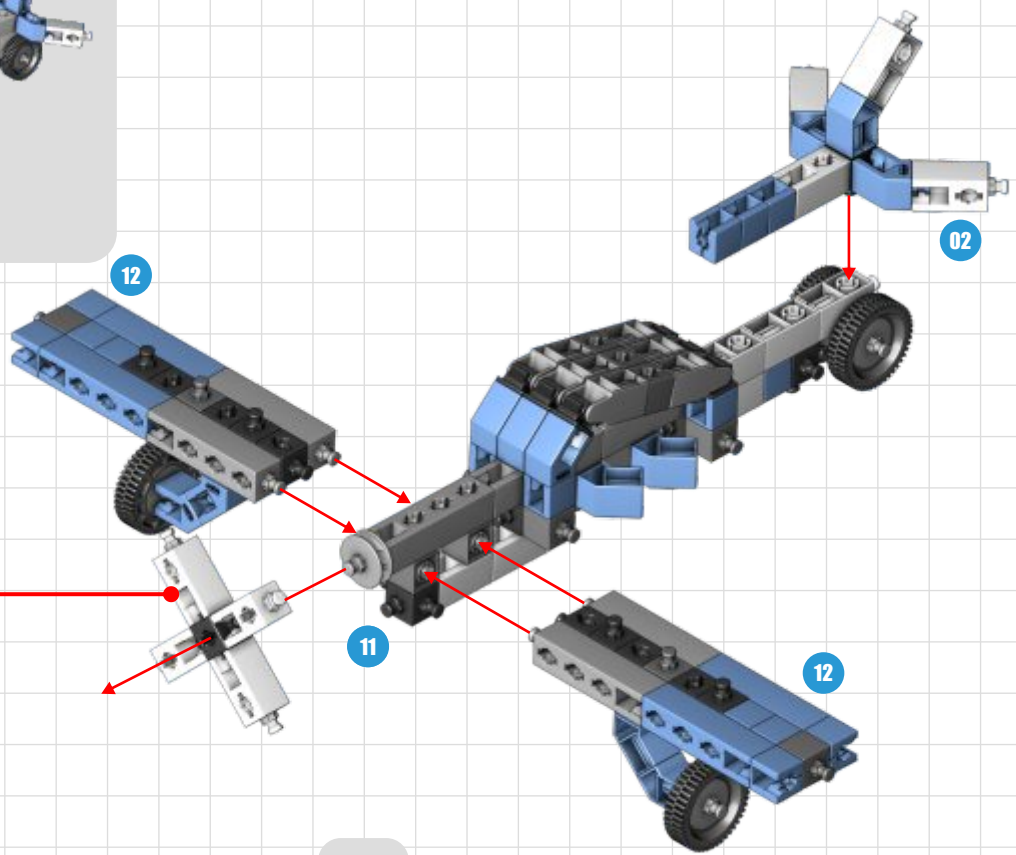
11

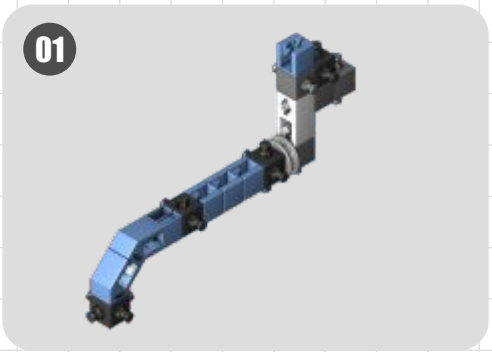
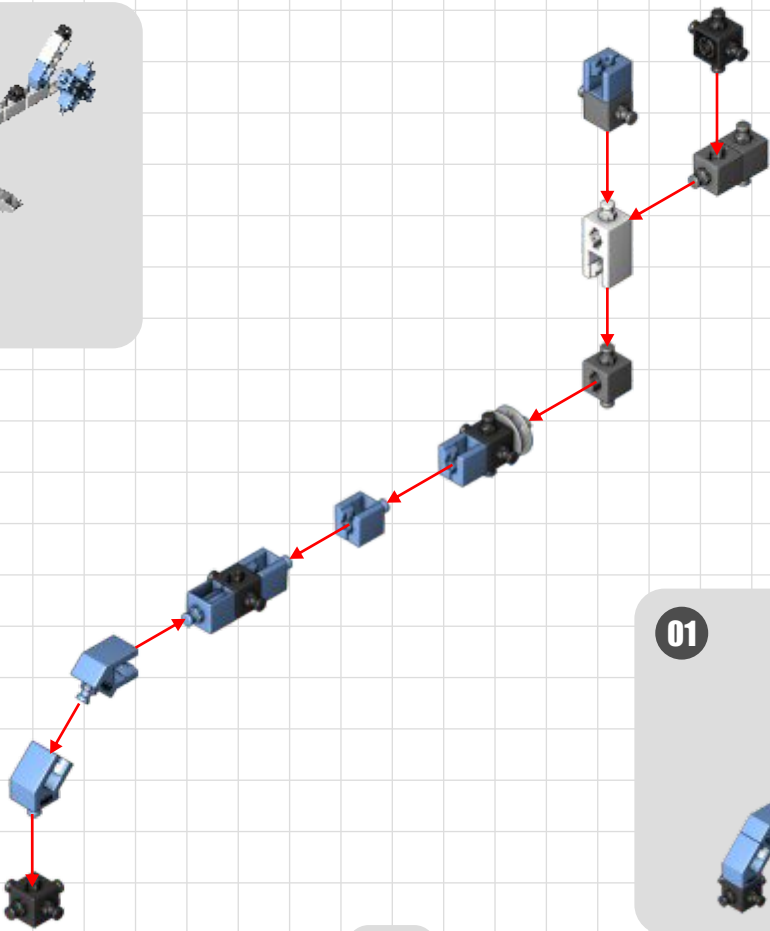
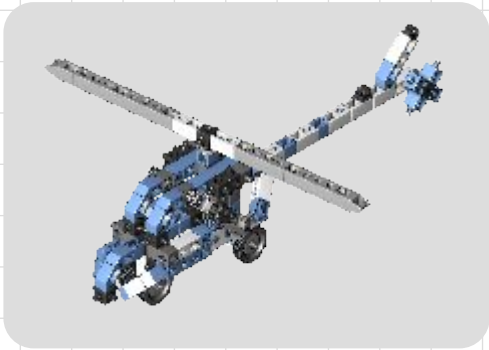


12 x2

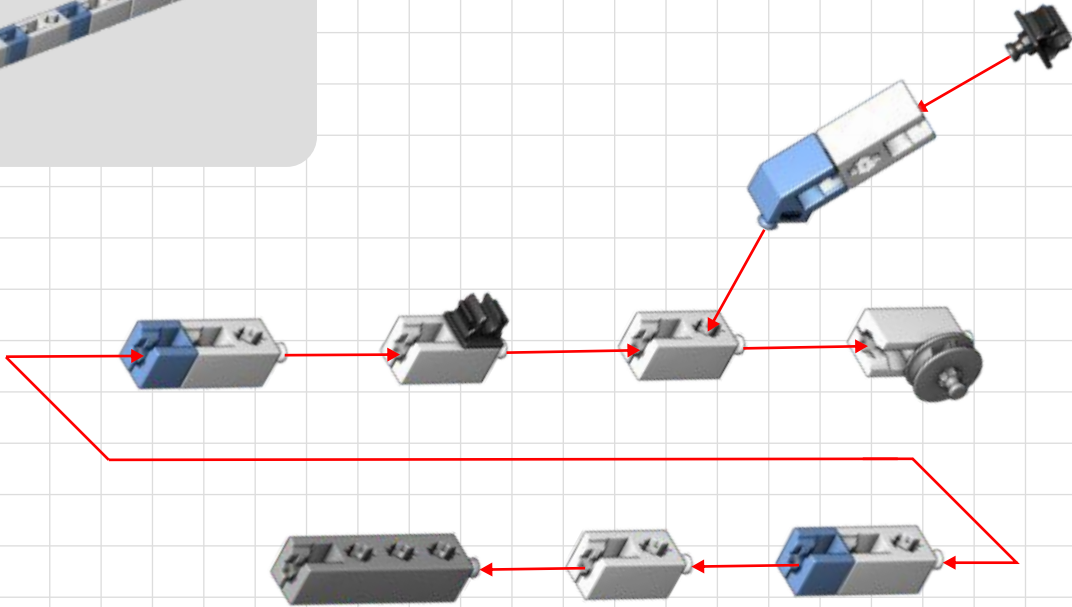
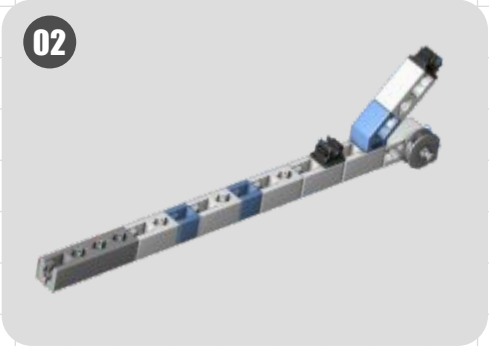


13

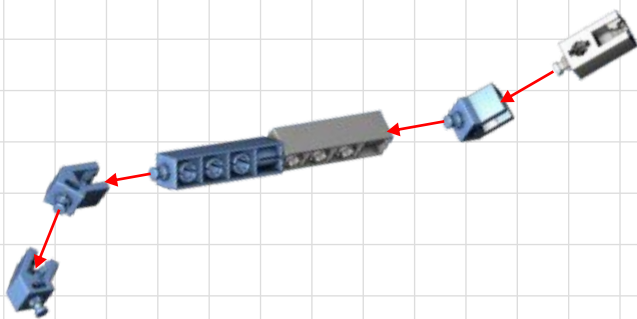
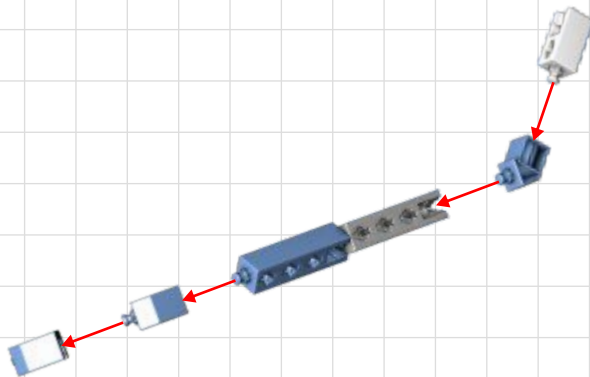
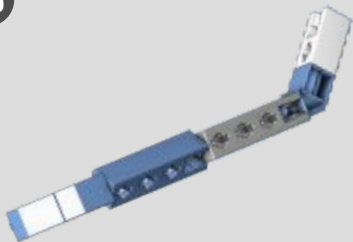




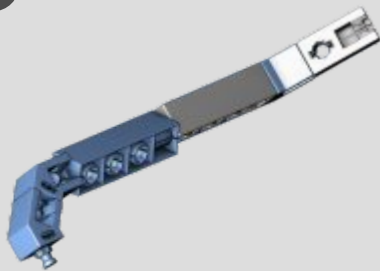
02



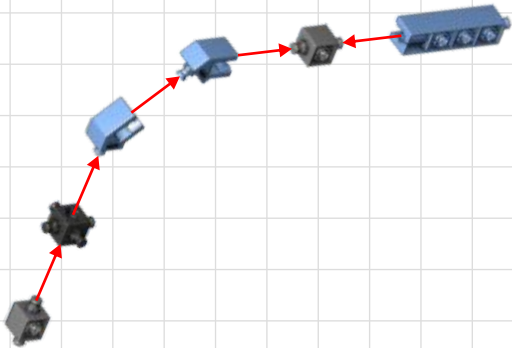
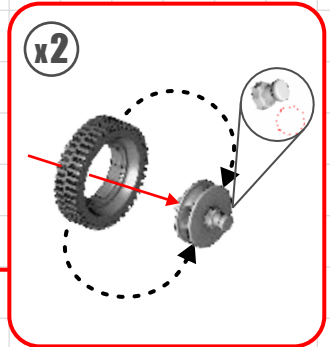
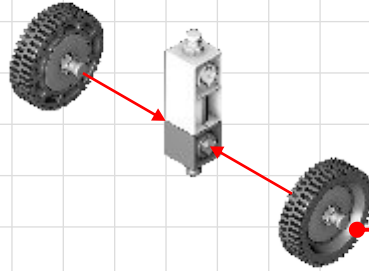
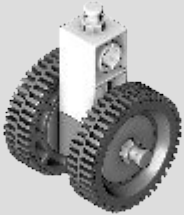
03



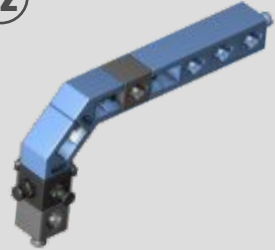
04



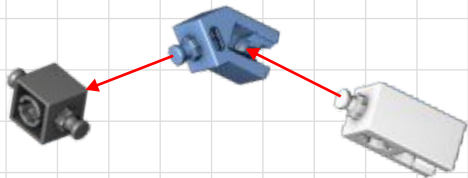
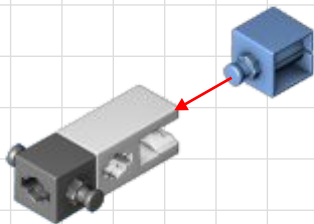
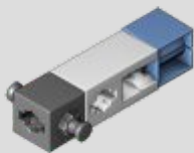
05



06 x2



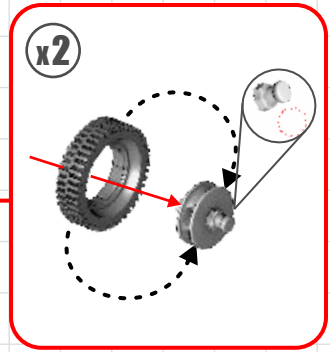
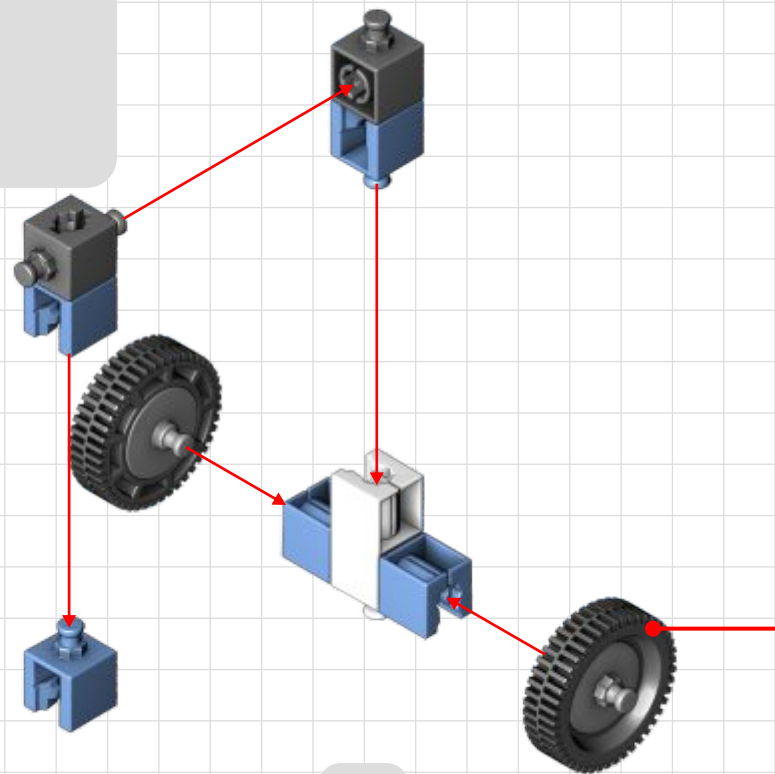
07 x2



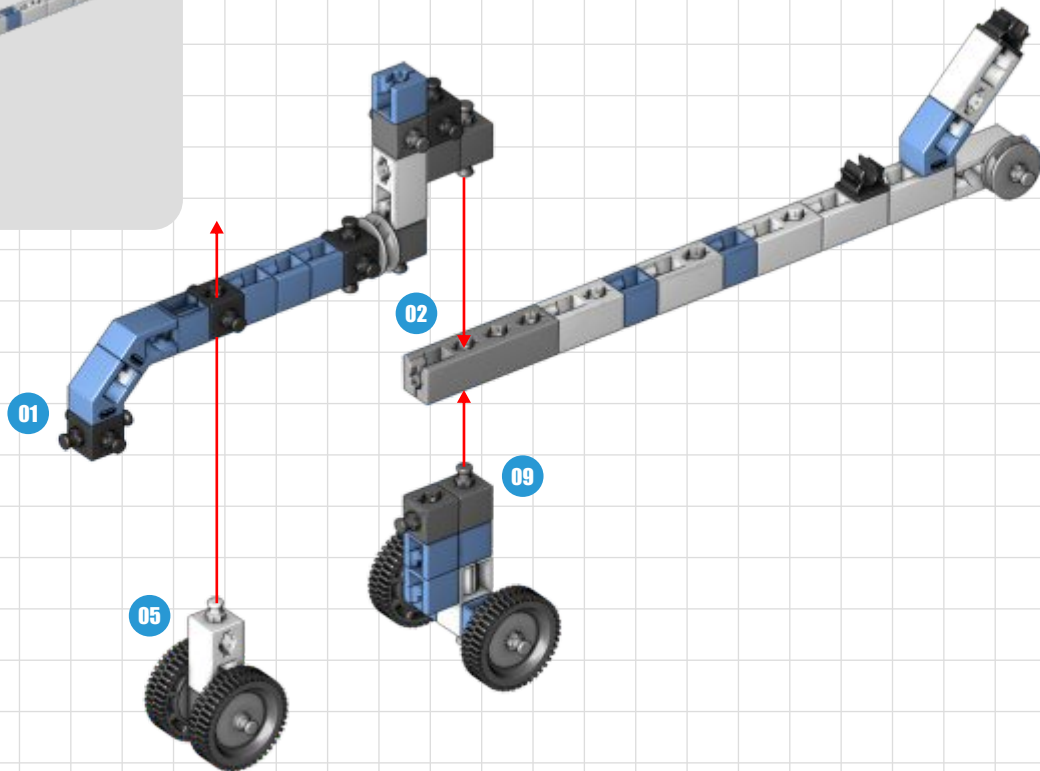
08 x2



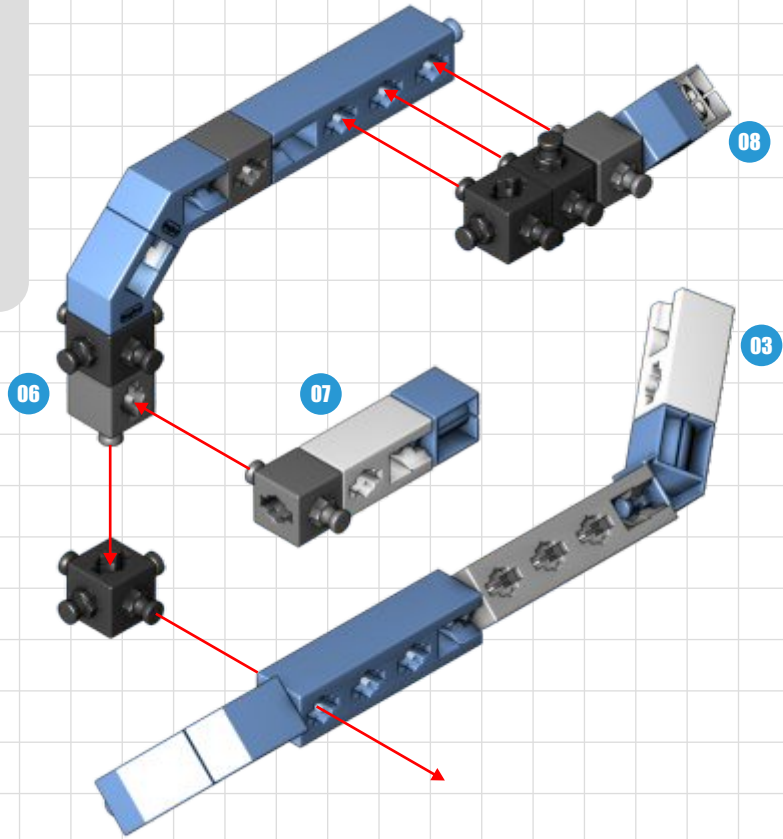
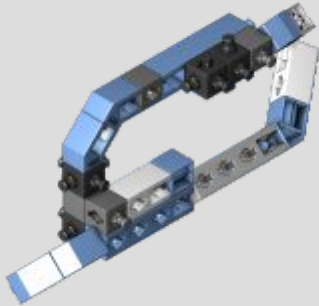
09



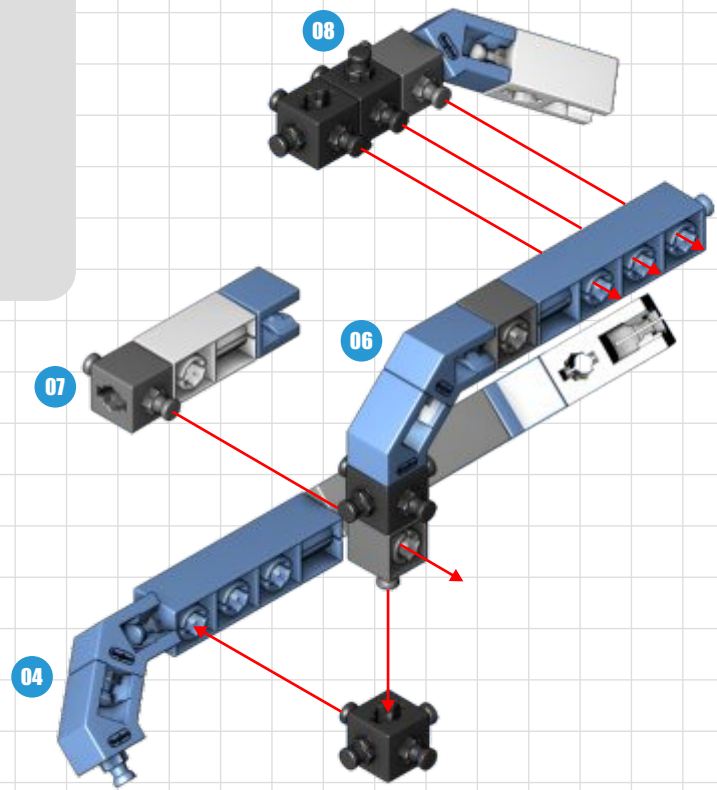
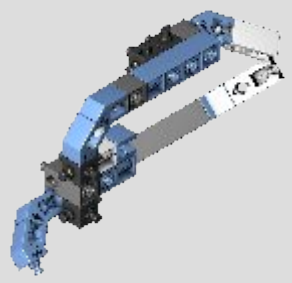
10



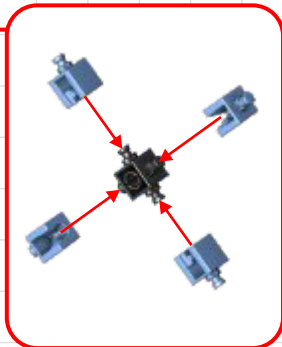
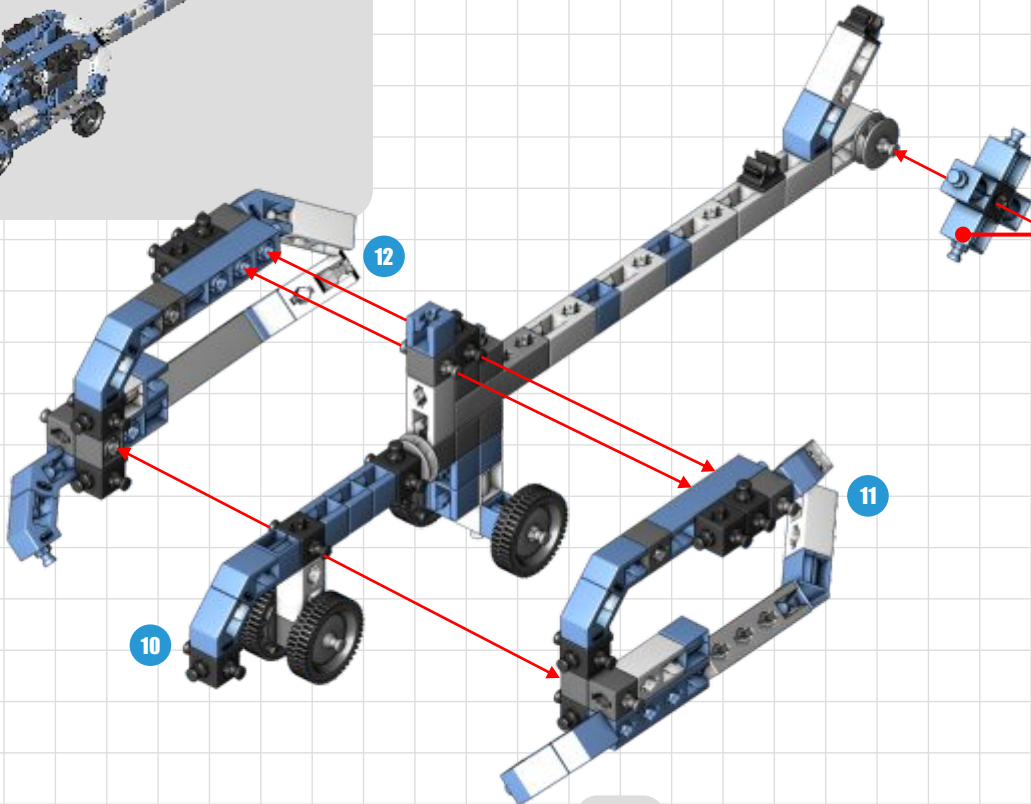
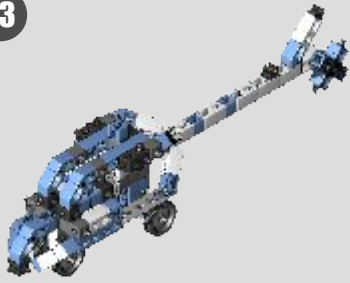
11



12



13



16

