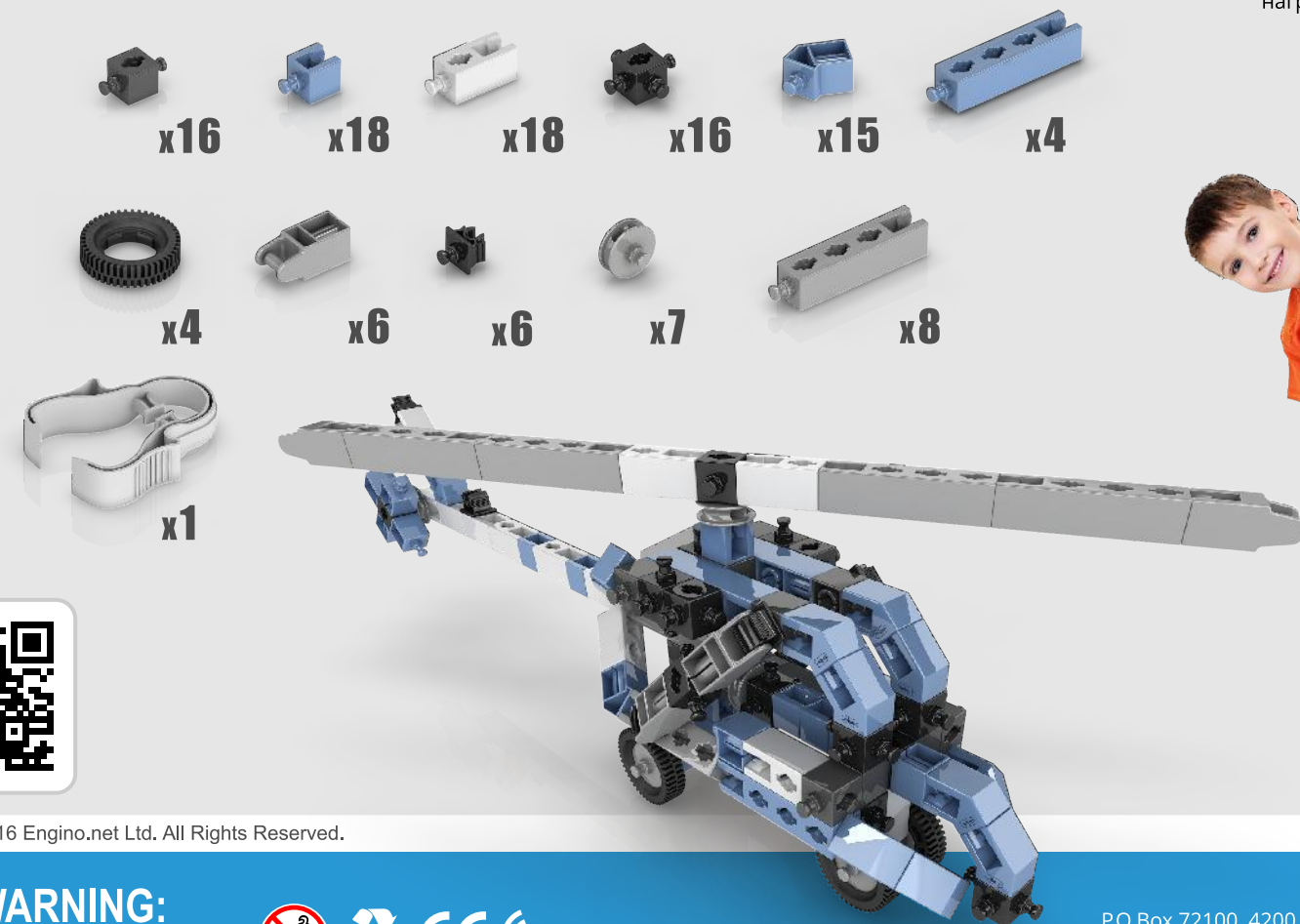


bill of materials

+Engino® Models 3D Viewer

Load Engino® models, rotate, zoom and explode to see how the model can be assembled.



awards
récompenses
auszeichnungen
premi
premios
награды



© Copyright 2016 Engino.net Ltd. All Rights Reserved.

WARNING:
CHOKING HAZARD - Small parts.
Not for children under 3 yrs.



Engino.net Ltd
P.O.Box 72100, 4200 Limassol, Cyprus, European Union
Tel.: +357 25821960, Fax: +357 25821961
Email: info@engino.com, Website: www.engino.com



3 models printed instructions included

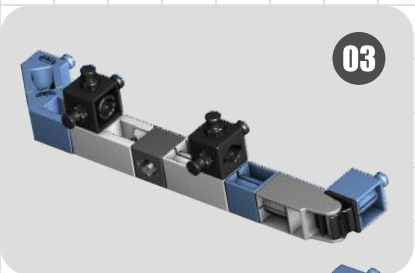
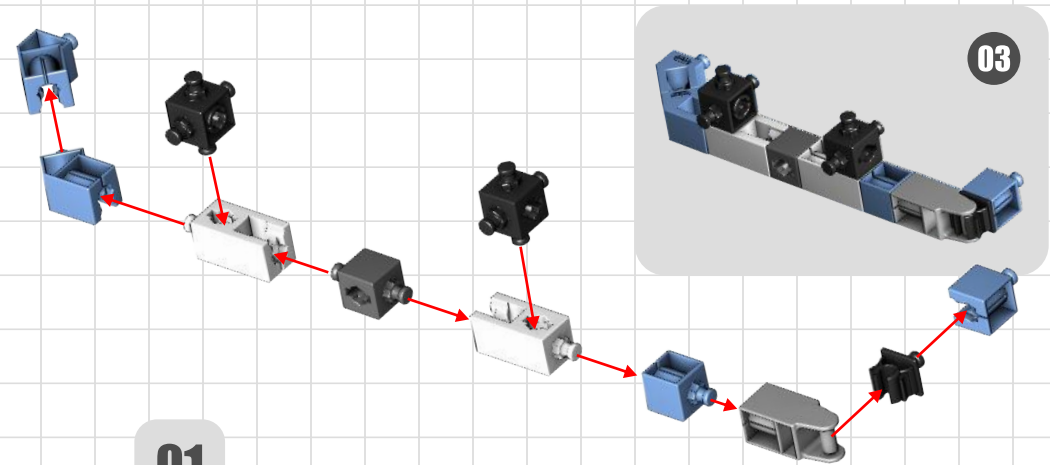
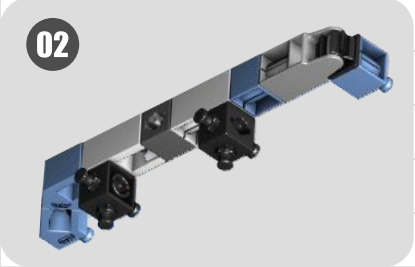
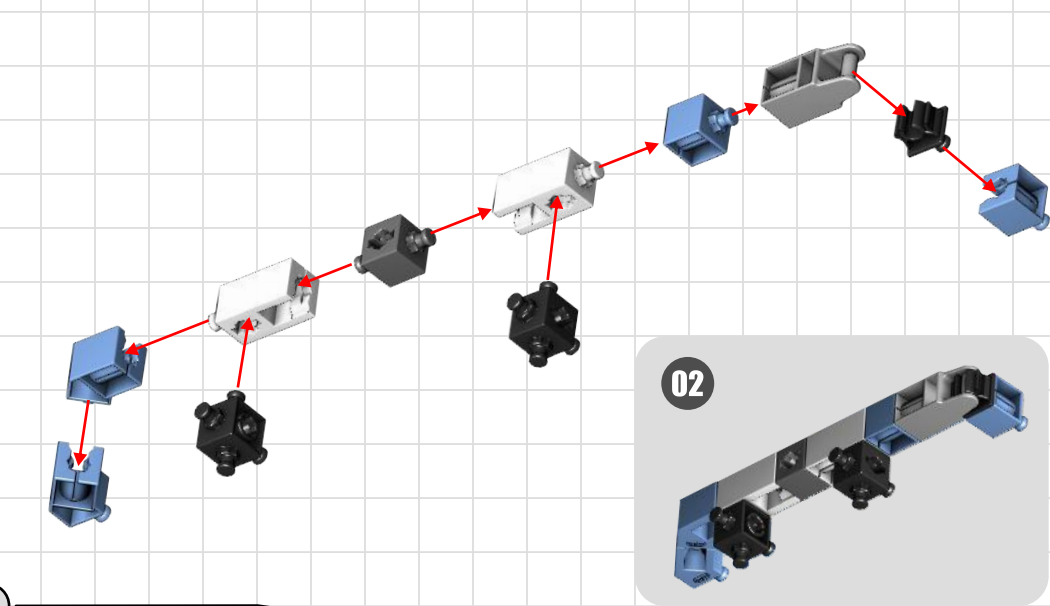
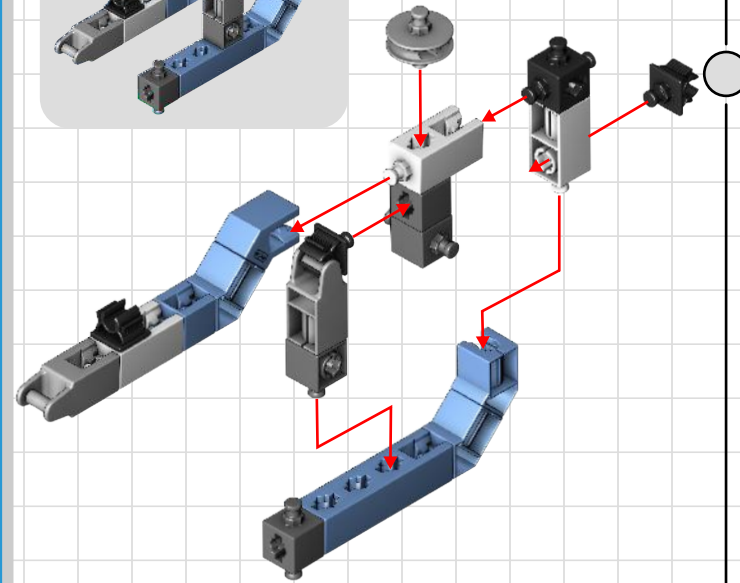
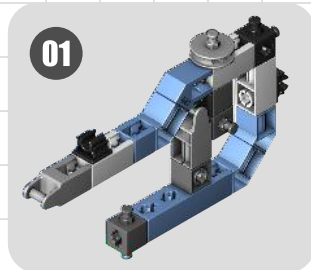
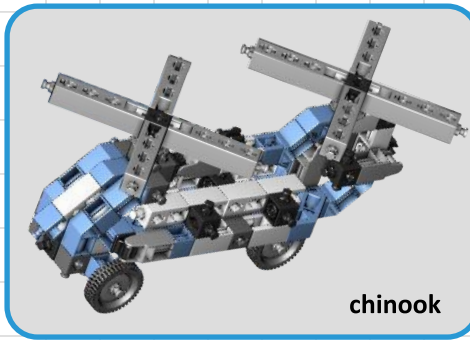
9 models online 3D instructions



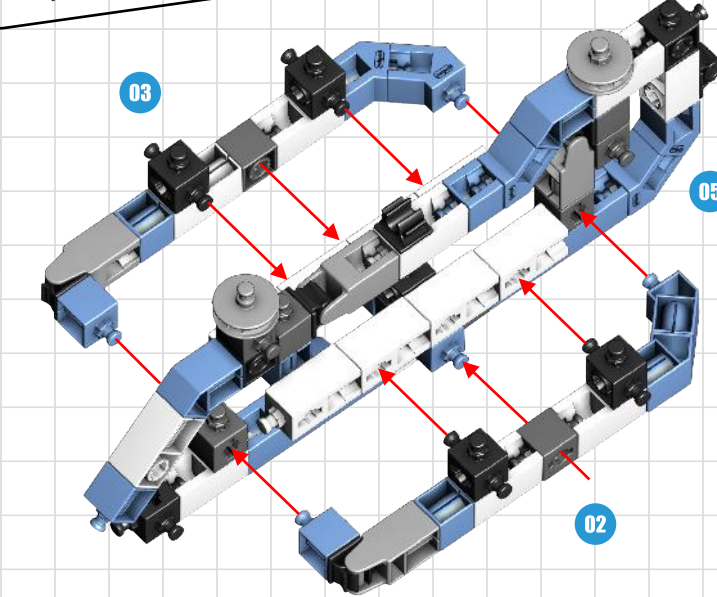
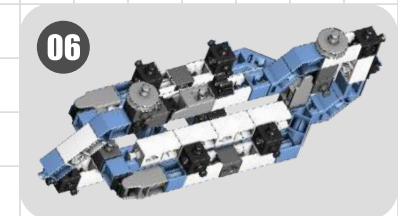
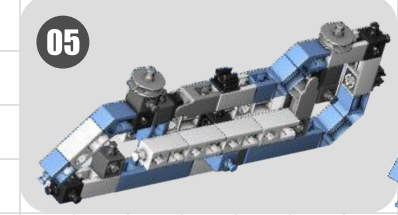
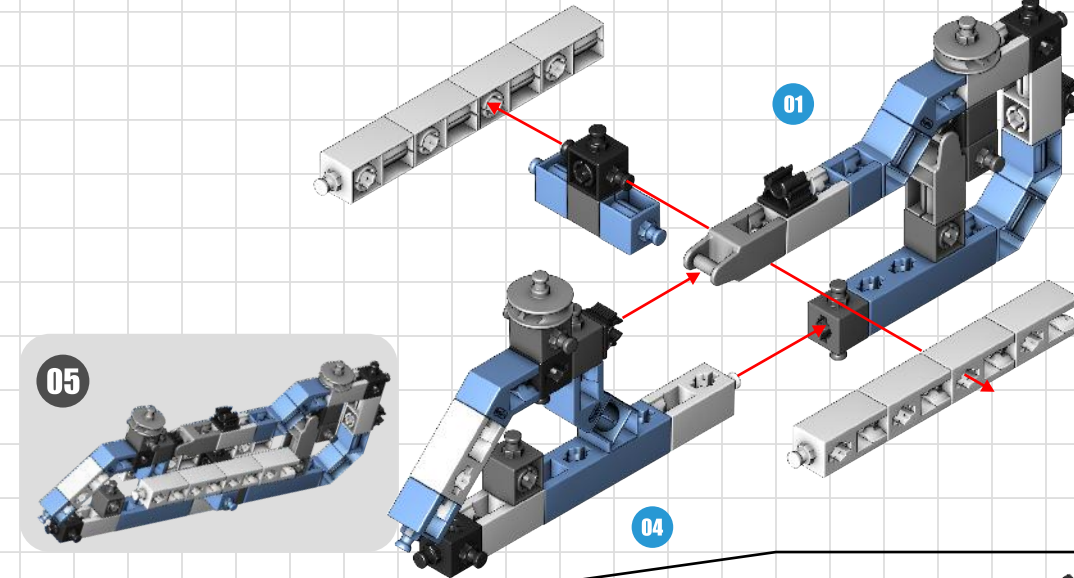
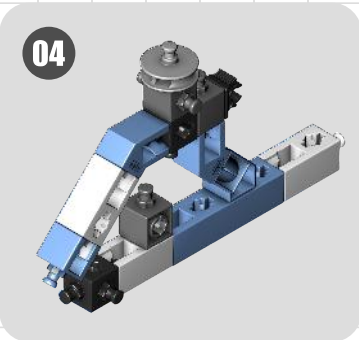
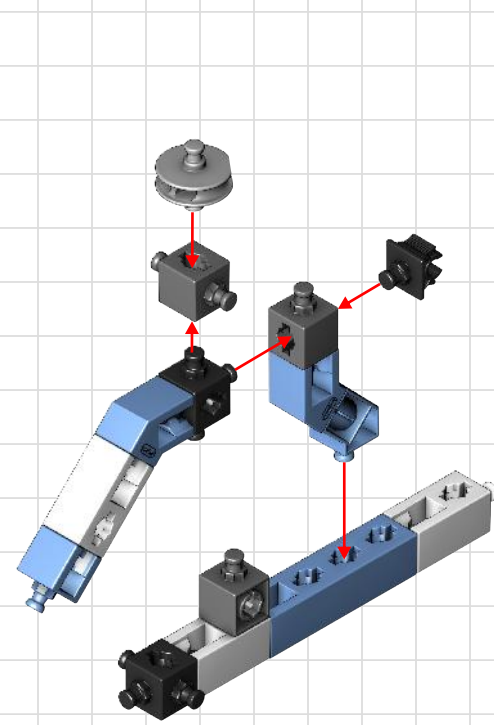
3D interactive instructions
to download on your smart device

12 IN 1 aircrafts MODELS

6-14+

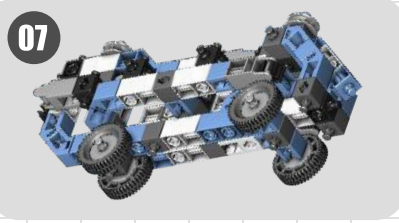


01

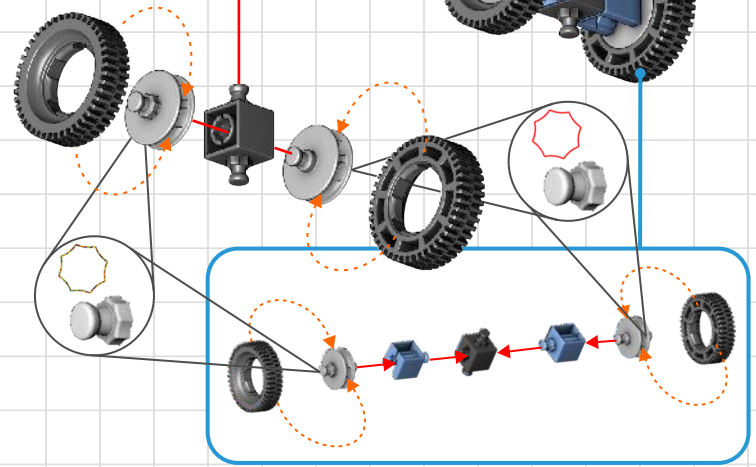
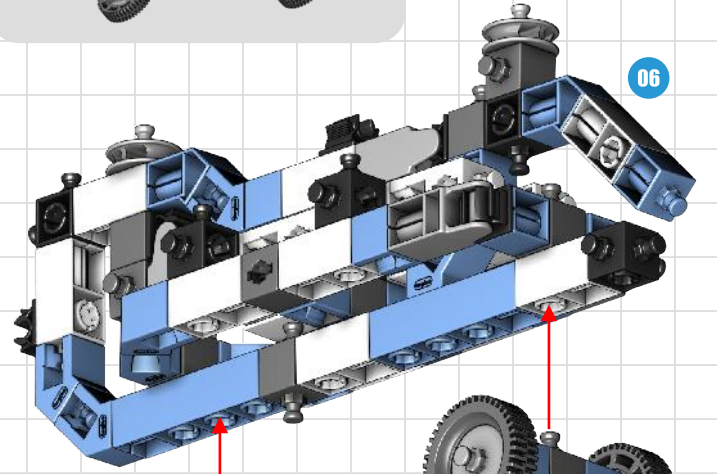


02

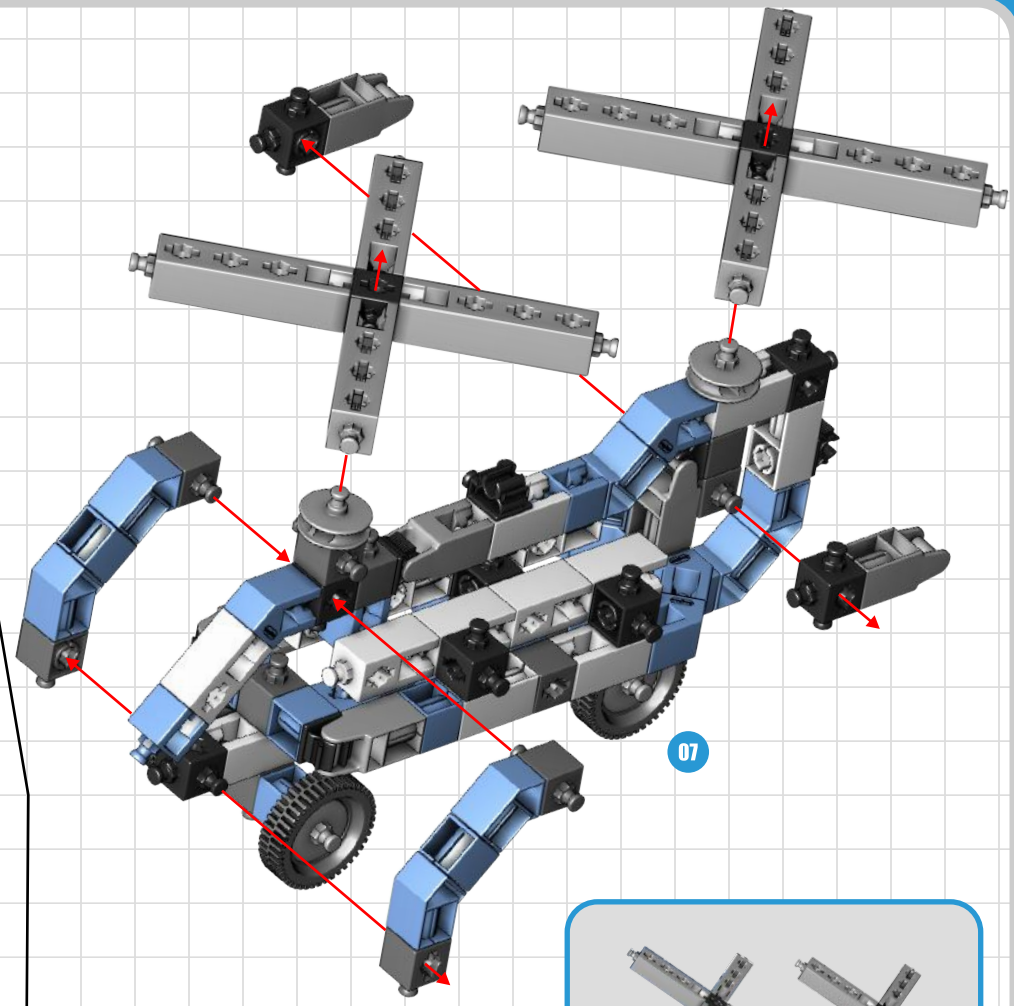
07



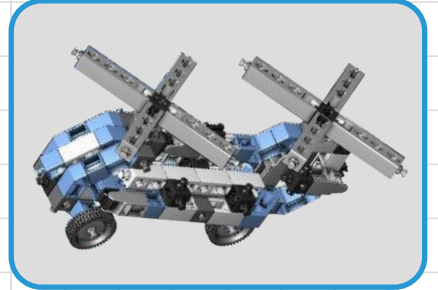
06



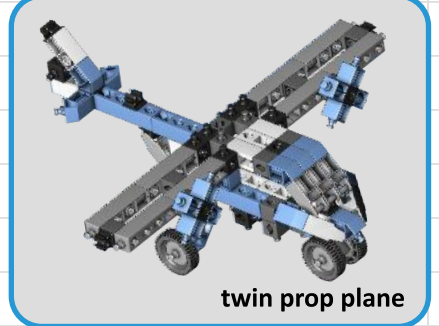
03



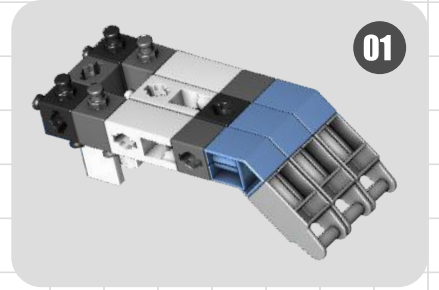
07



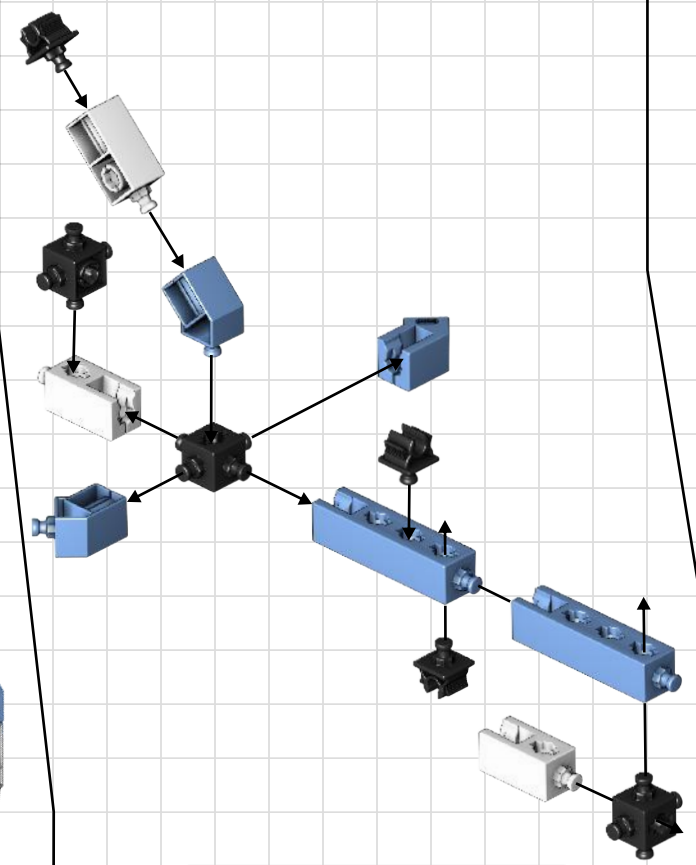
twin prop plane



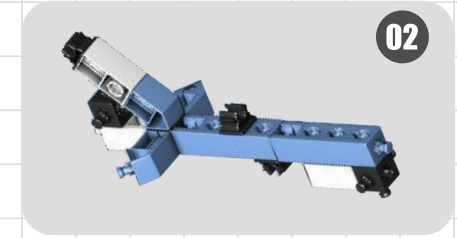
01



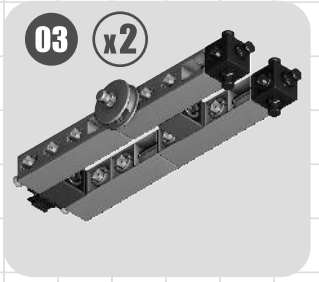
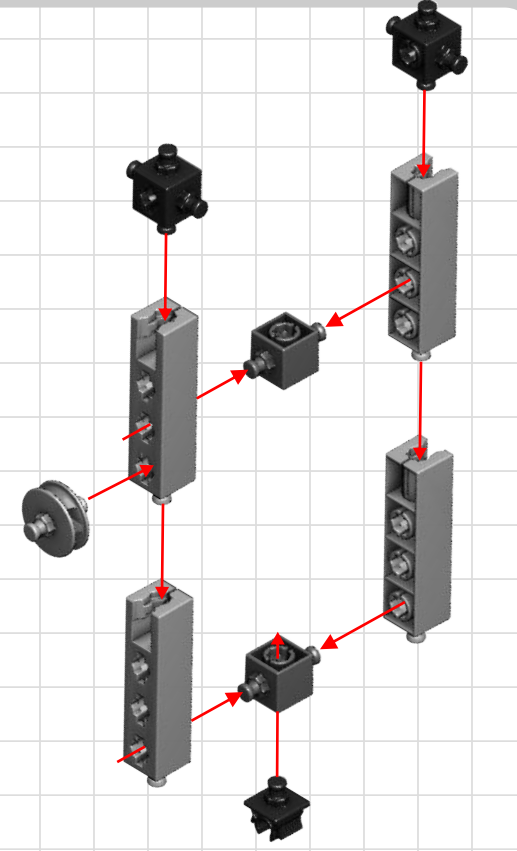
02

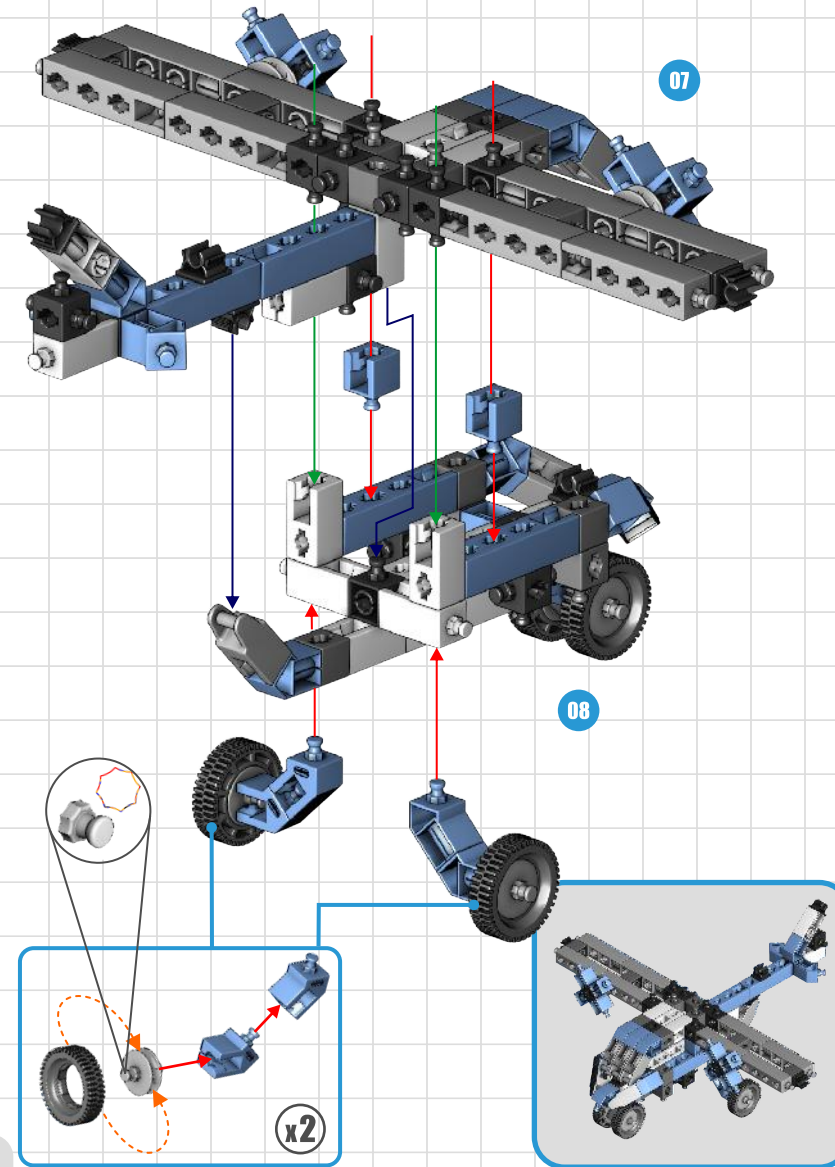
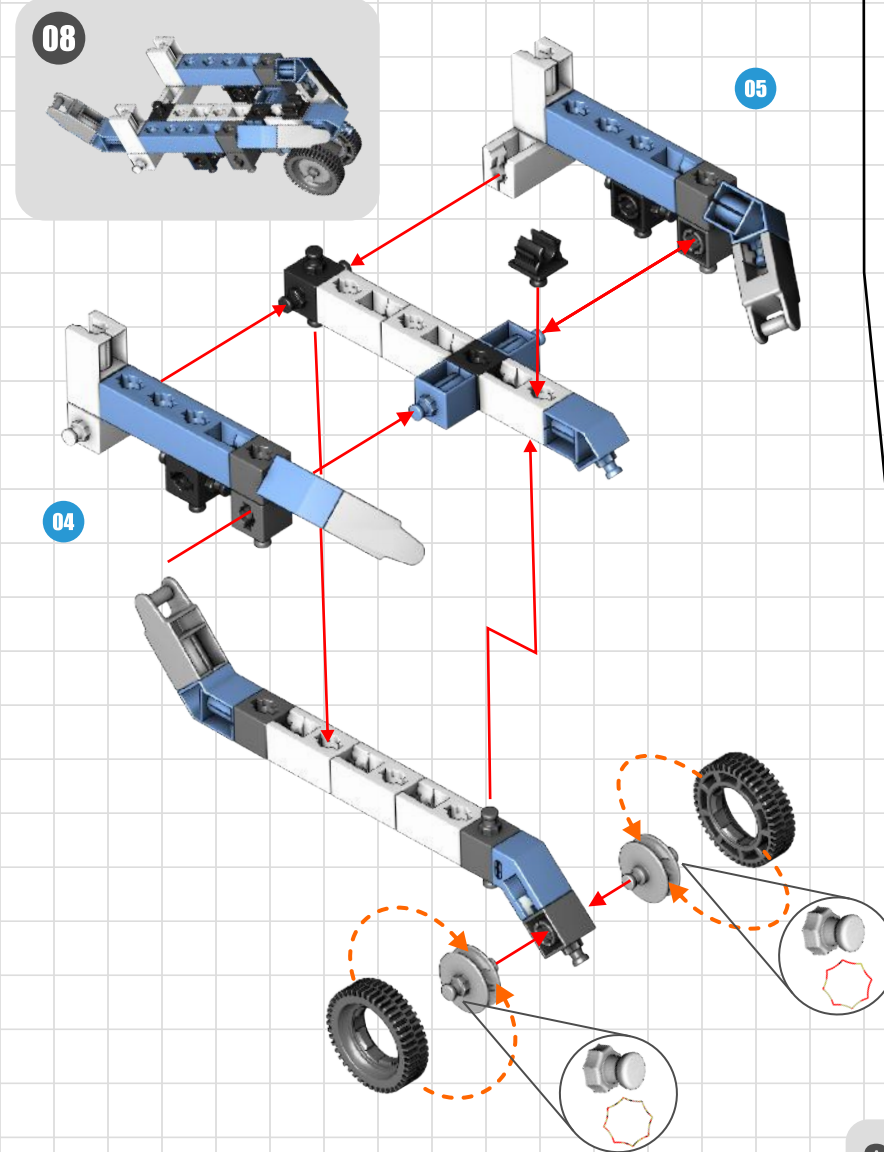
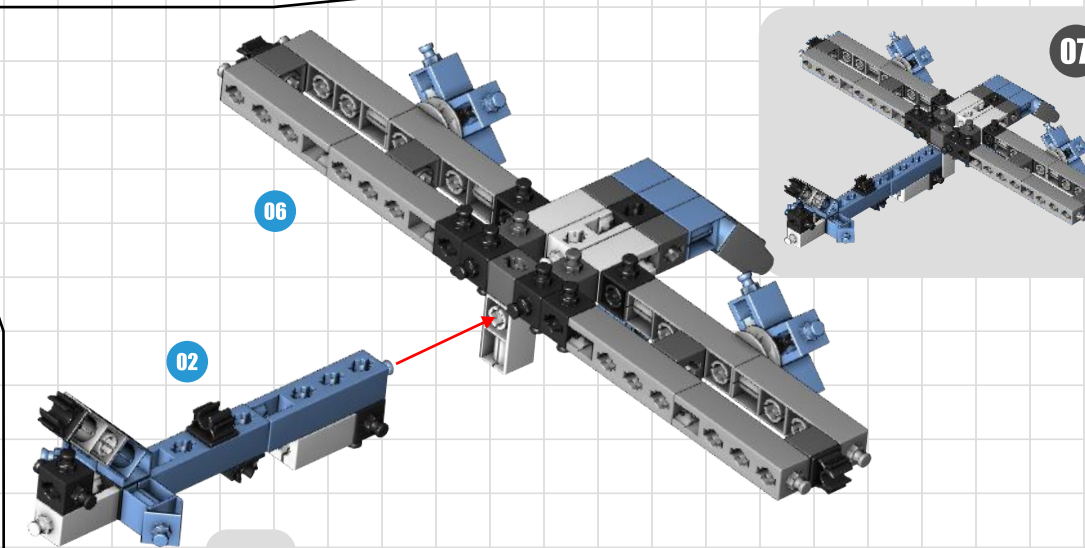
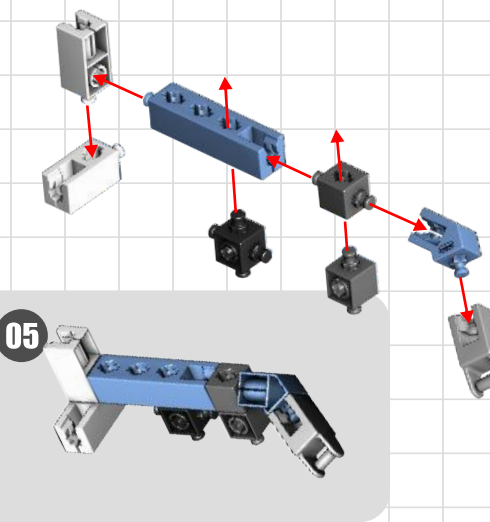
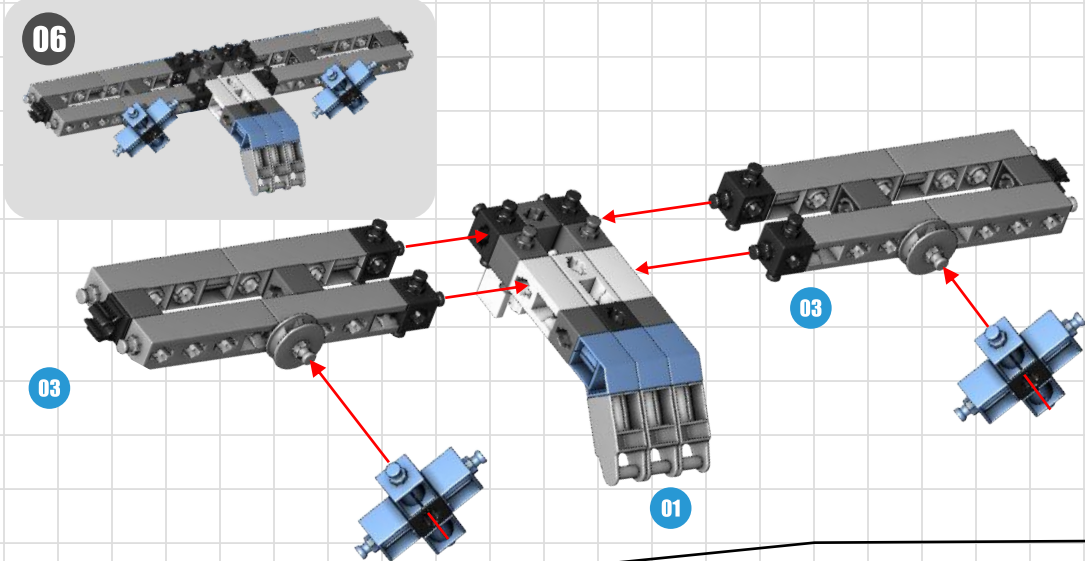
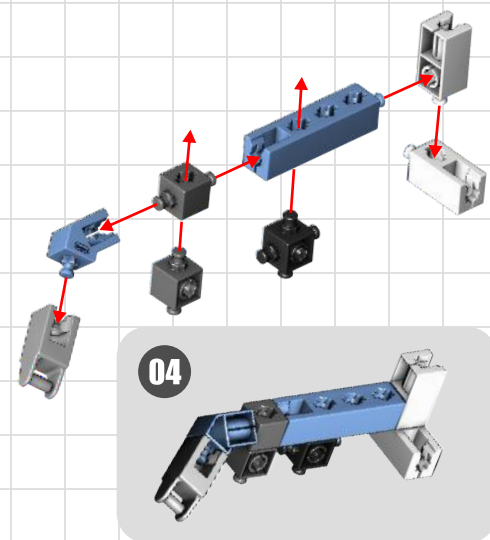


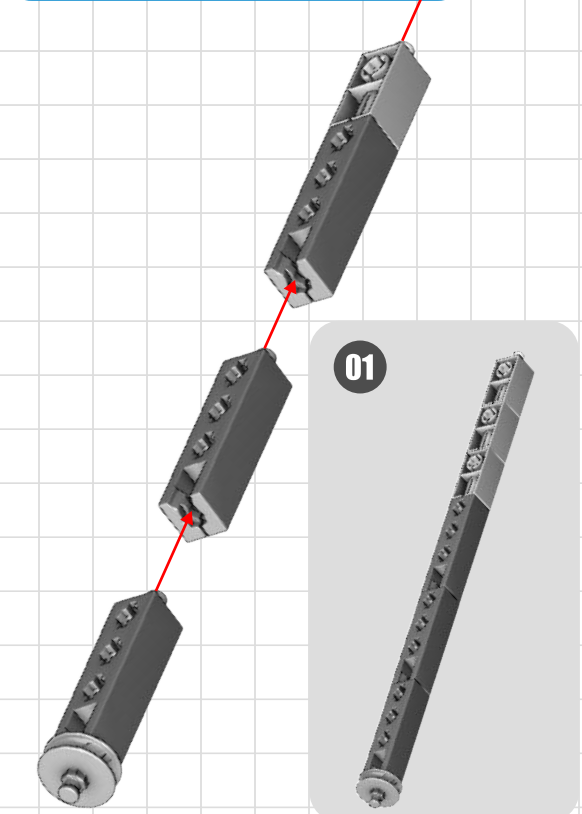
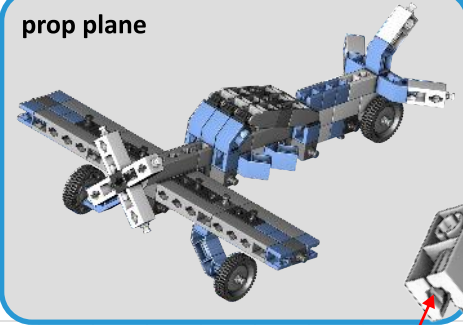
04



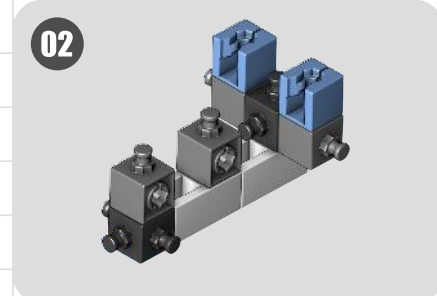
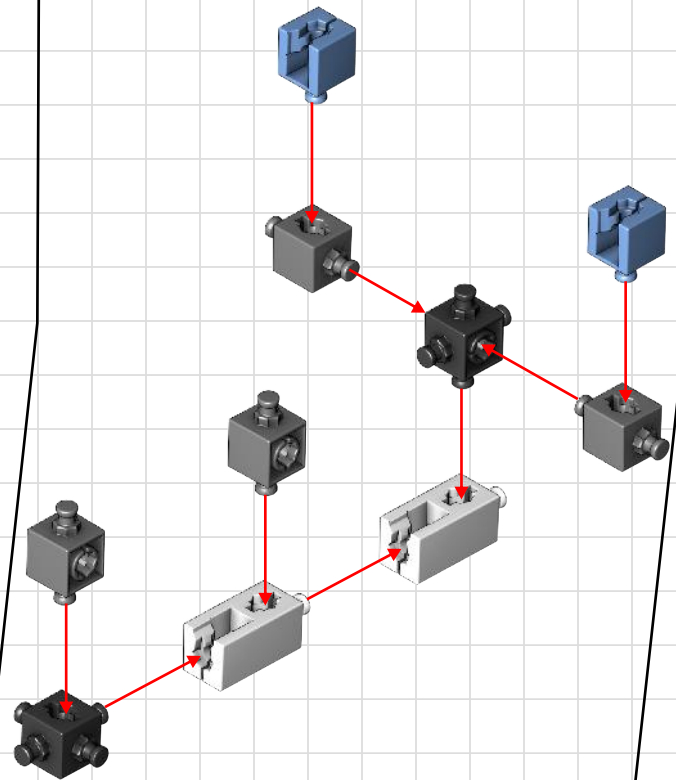
03 x2



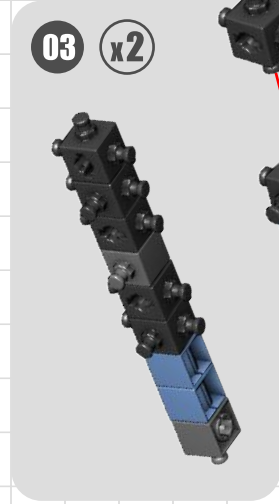
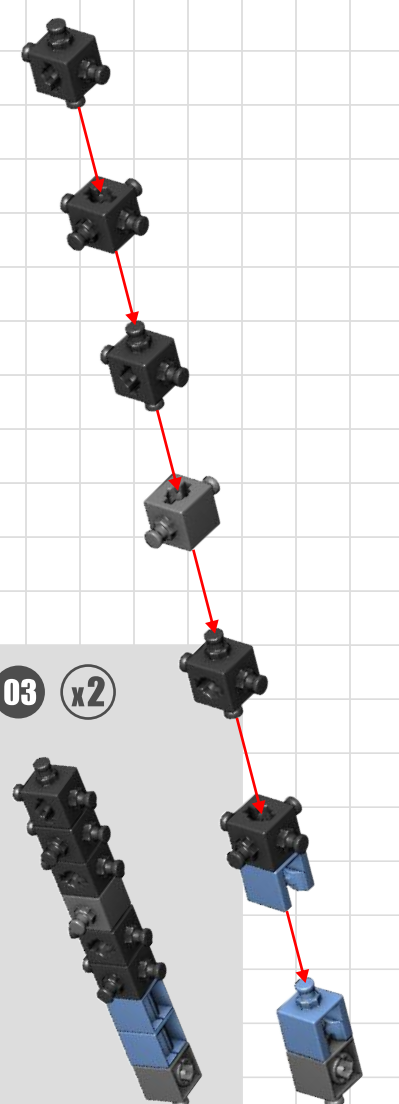




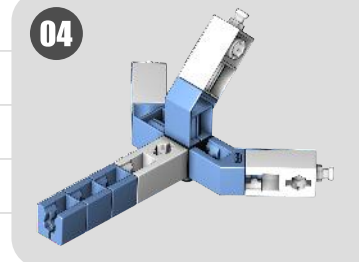
01



02



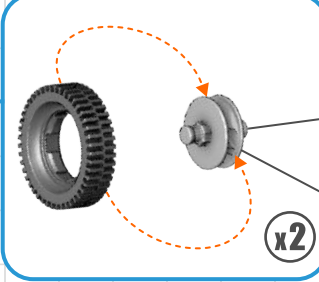
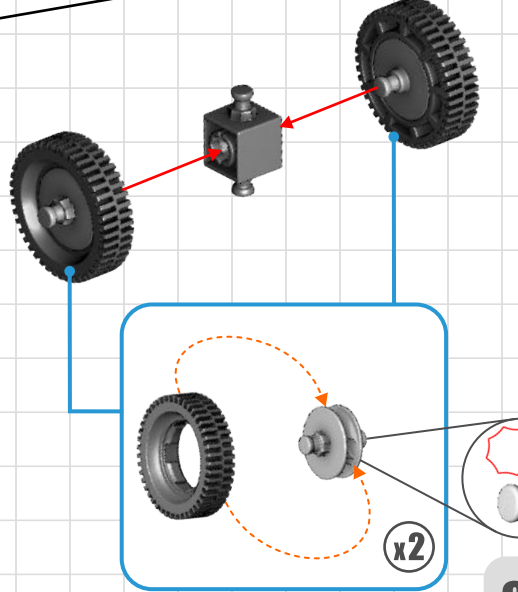
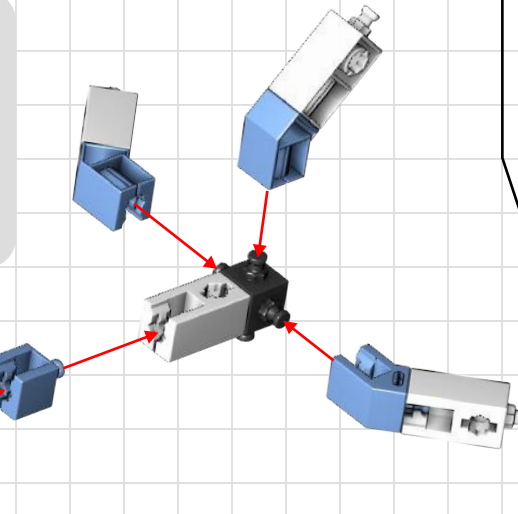
03 x2



04

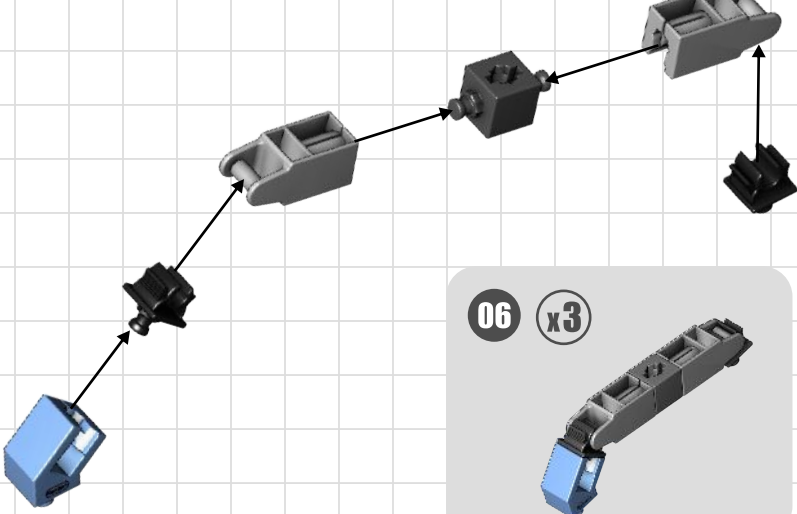


05

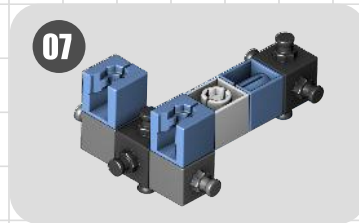
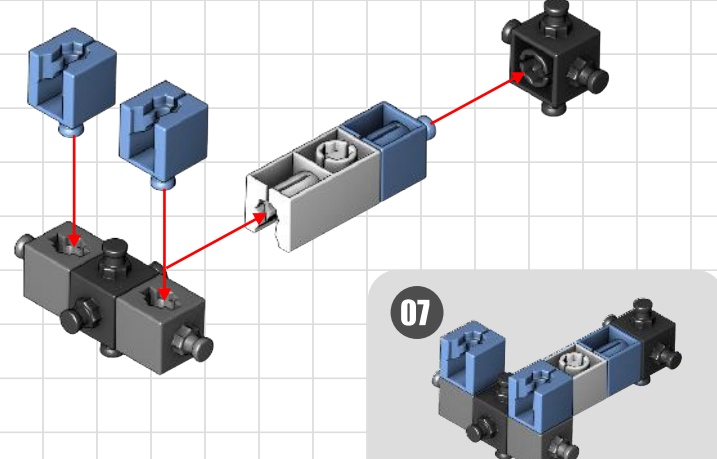


x2

05



06 x3



07

