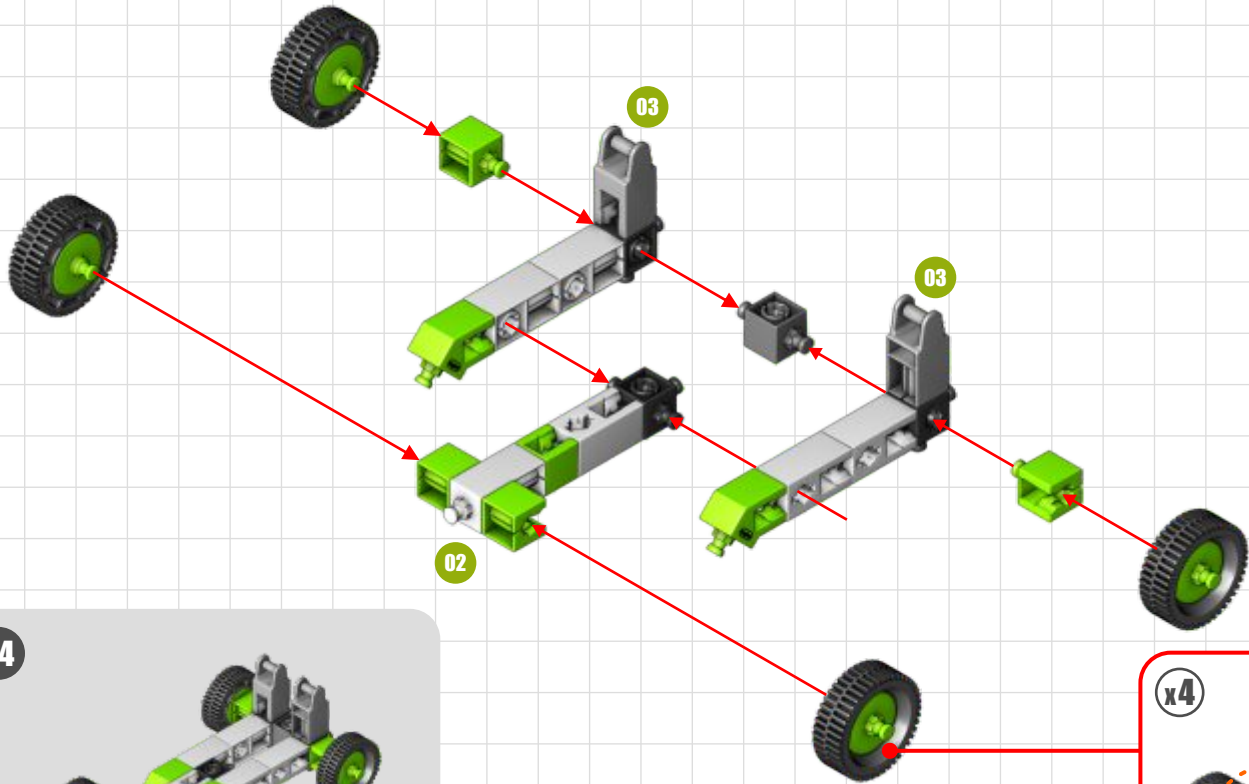


01



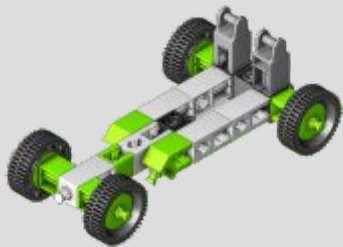


03

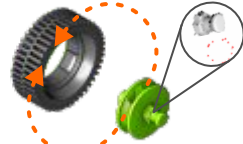
03

02

04

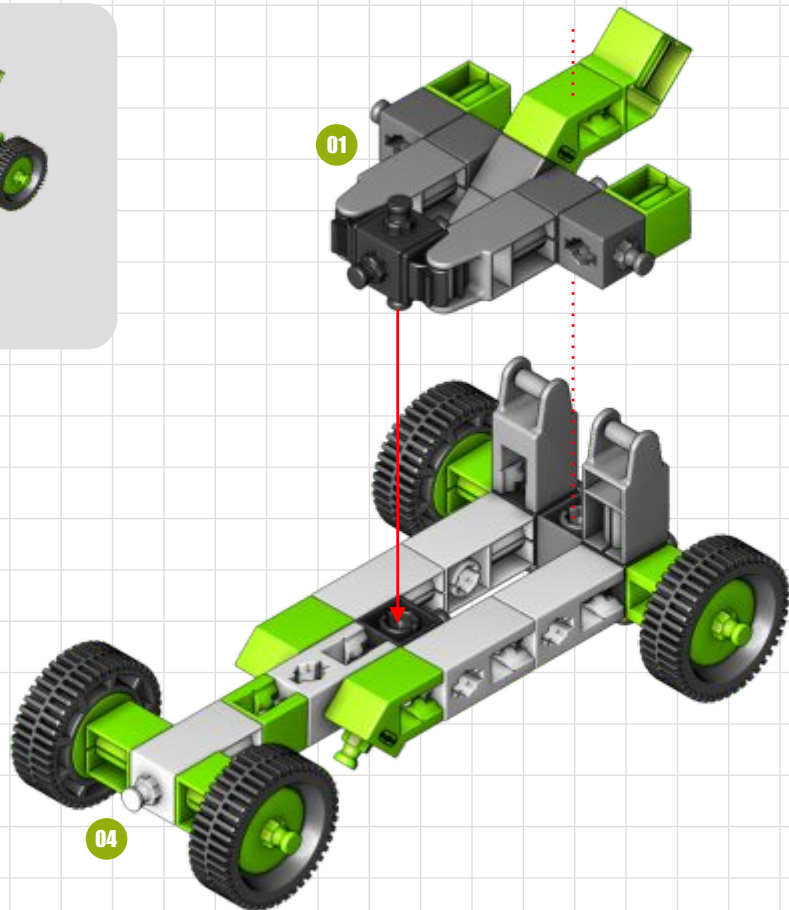
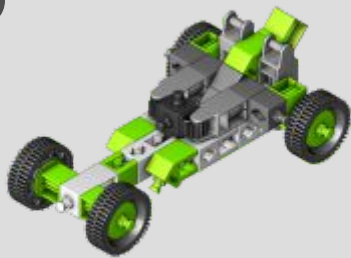


x4



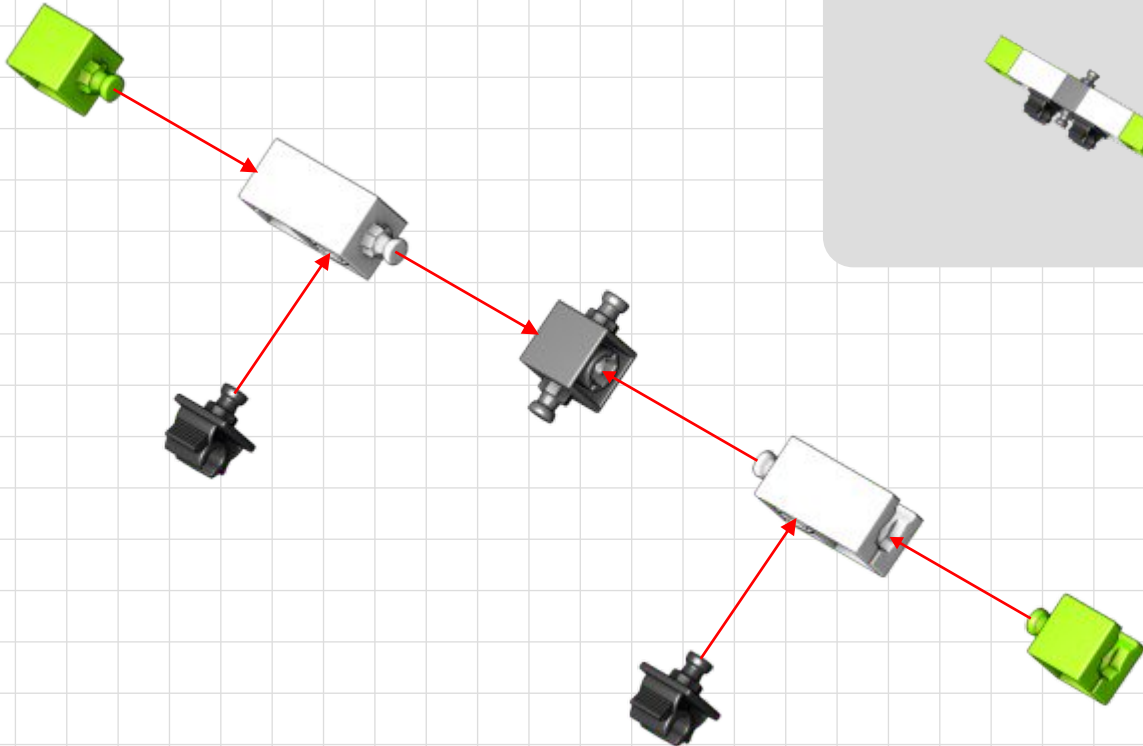
03

05



04

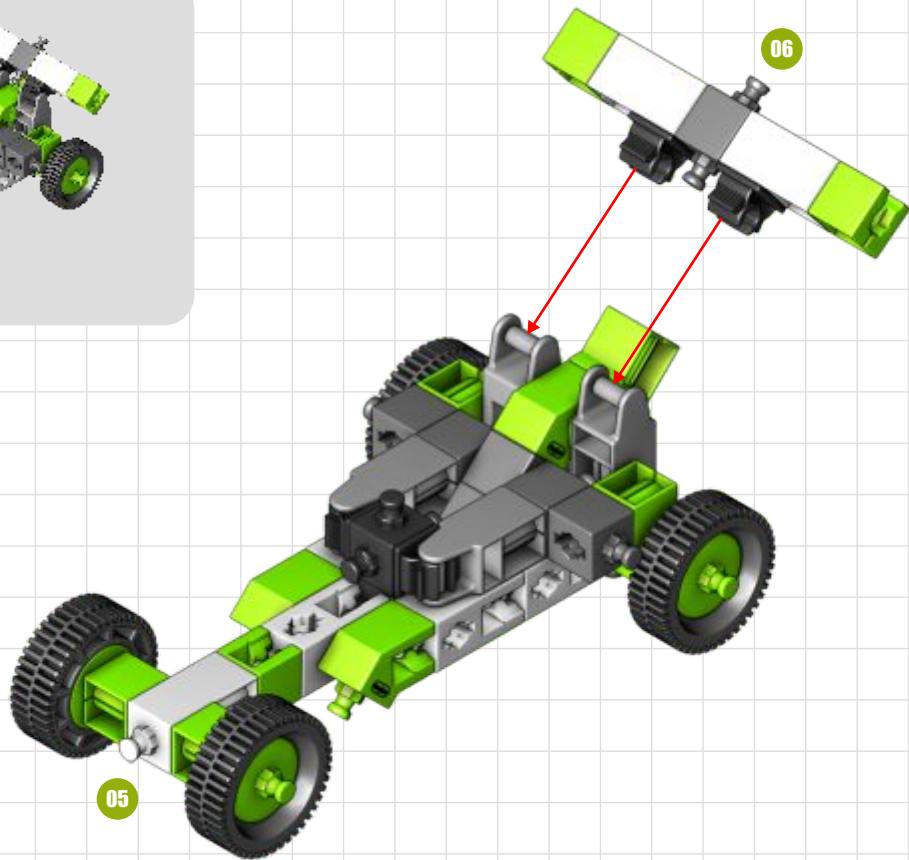
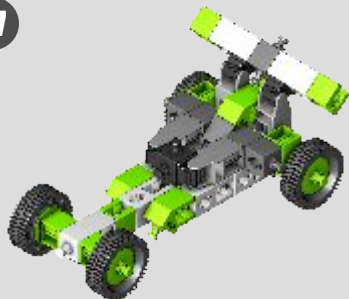




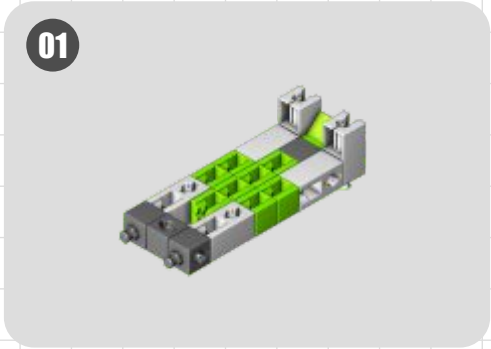
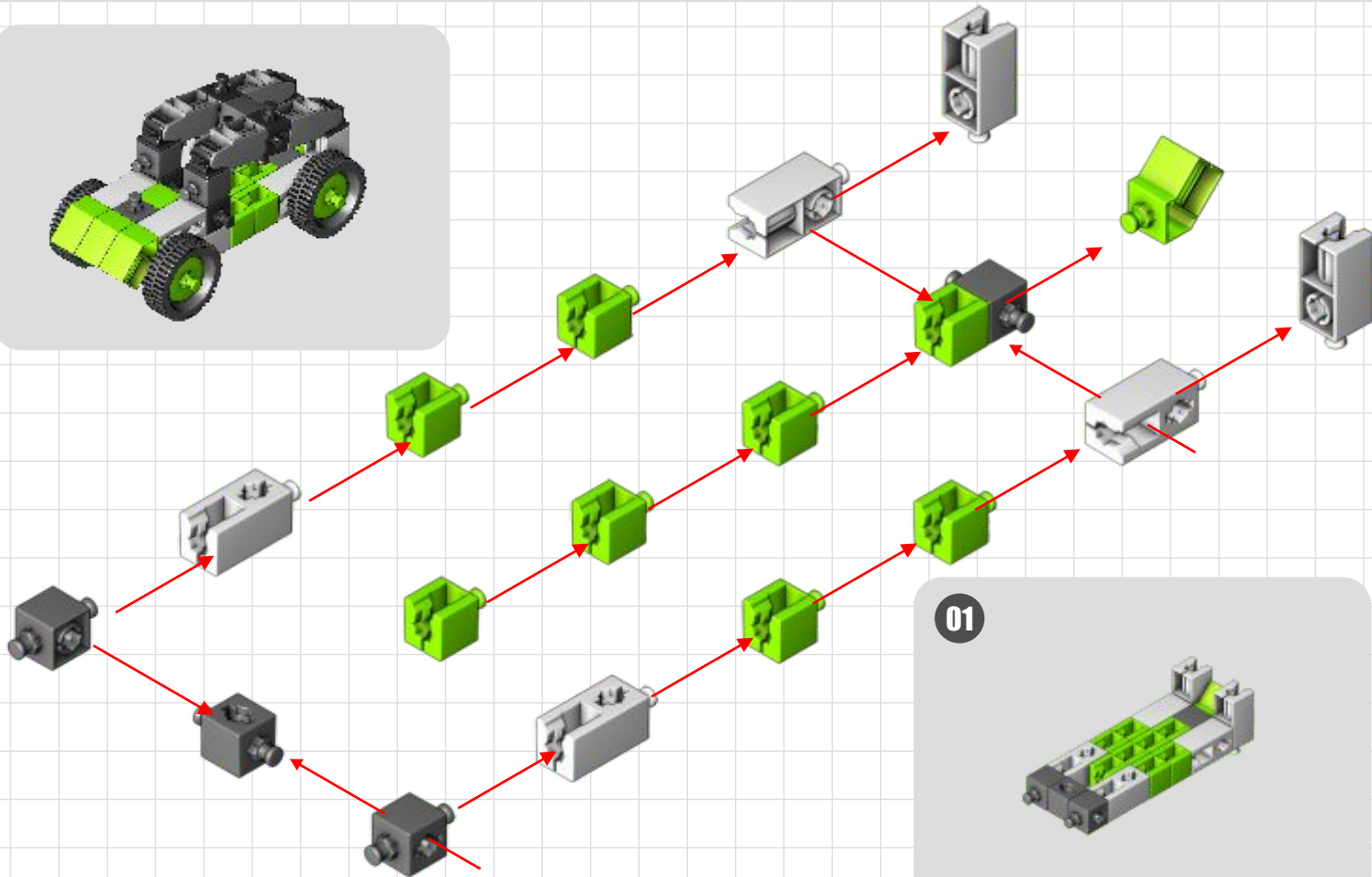
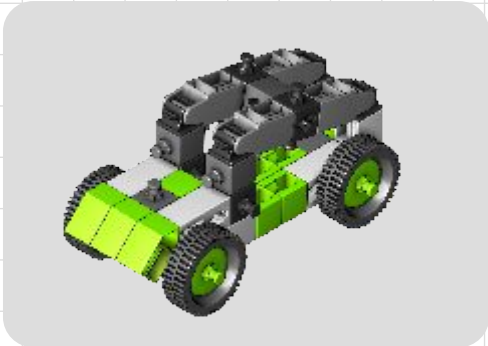
06

05

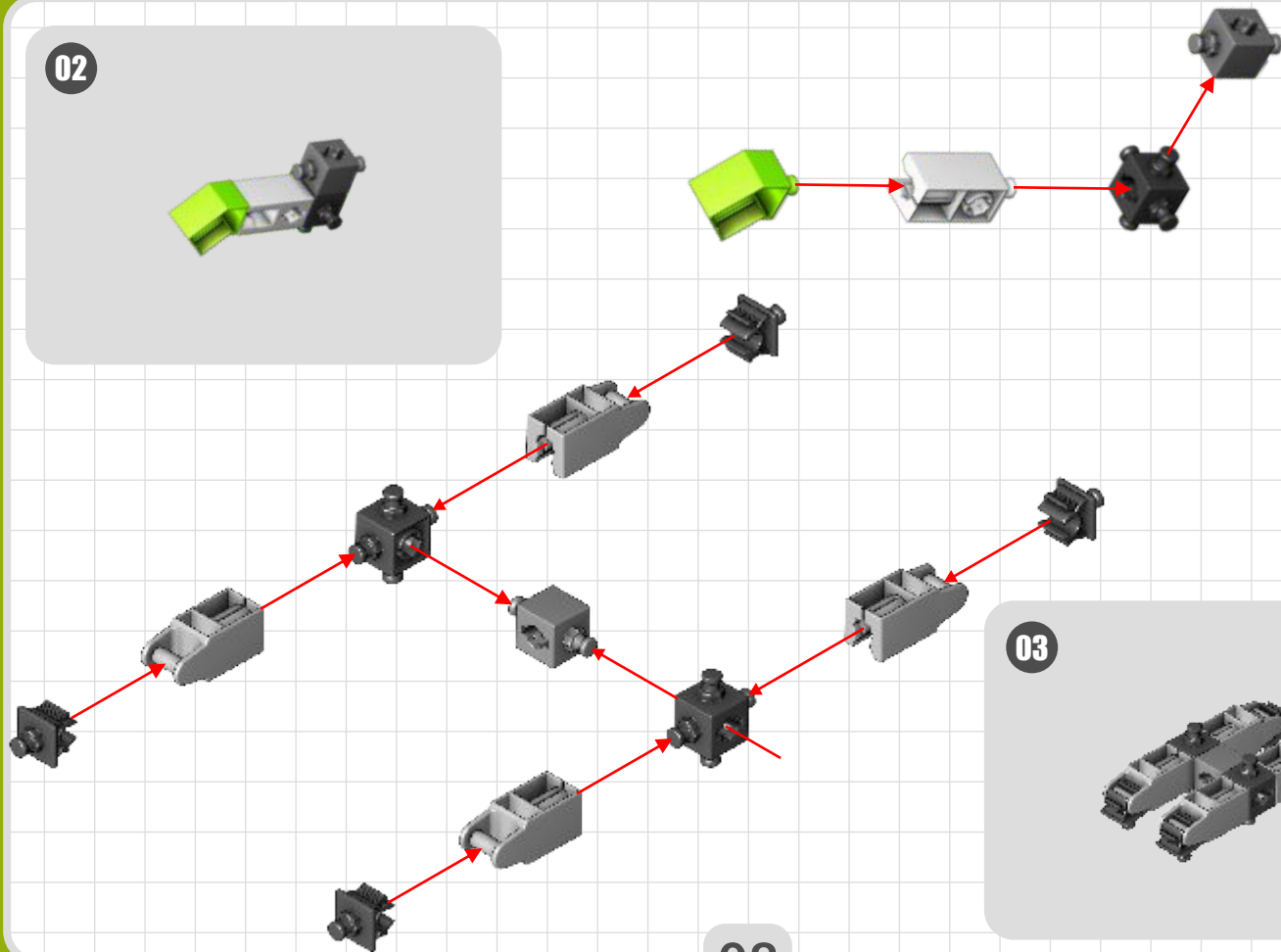
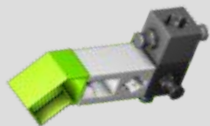
07



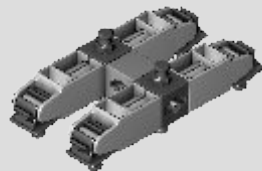
06



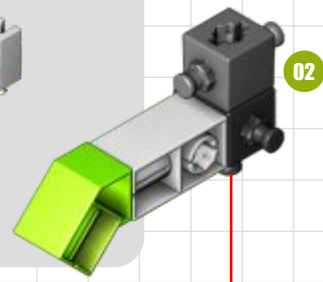
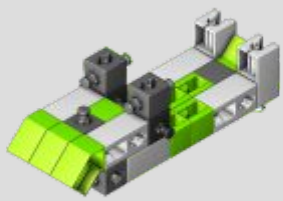
02



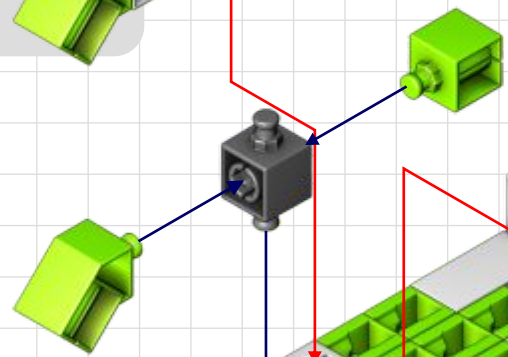
03



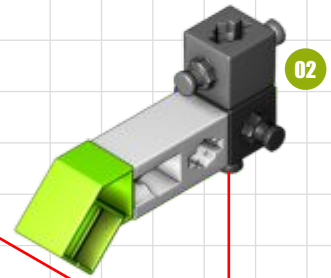
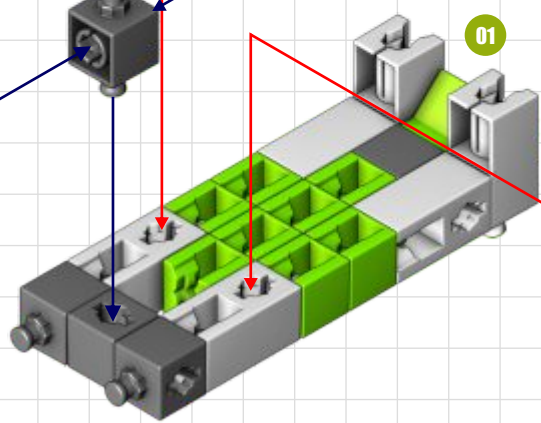
04



02

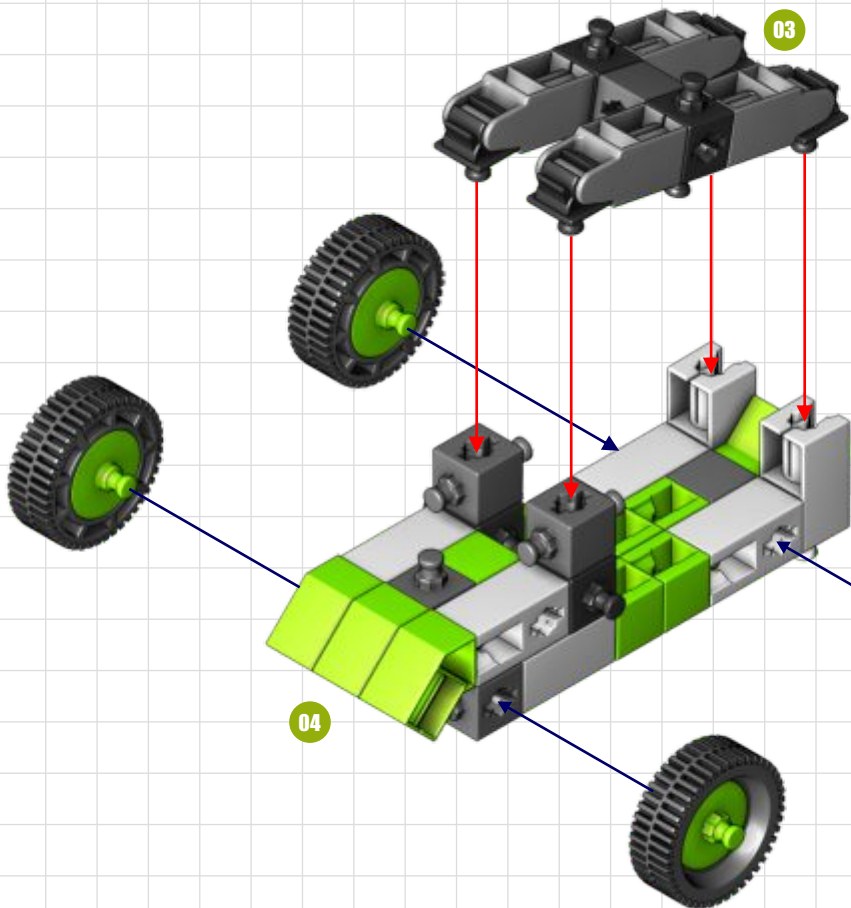


01

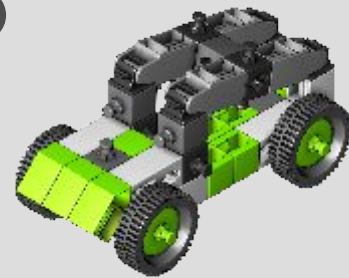


02

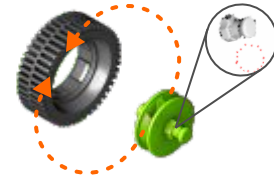
09



05



x4





x8



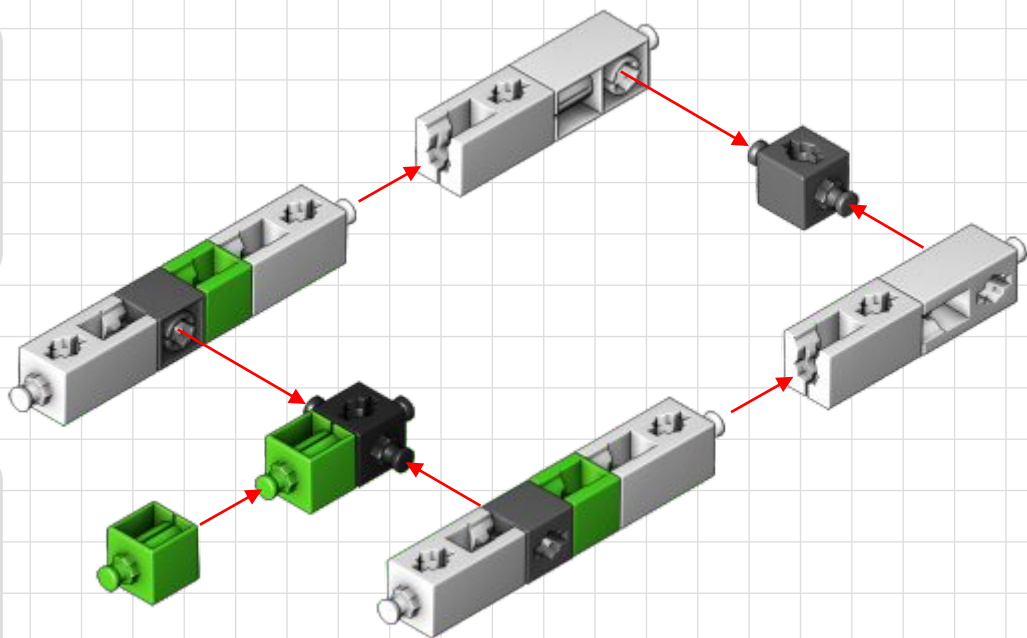
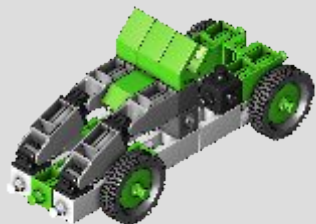
x1



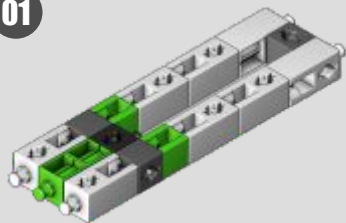
x4



x3



01



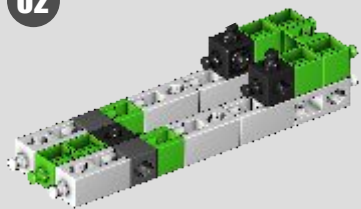


x2

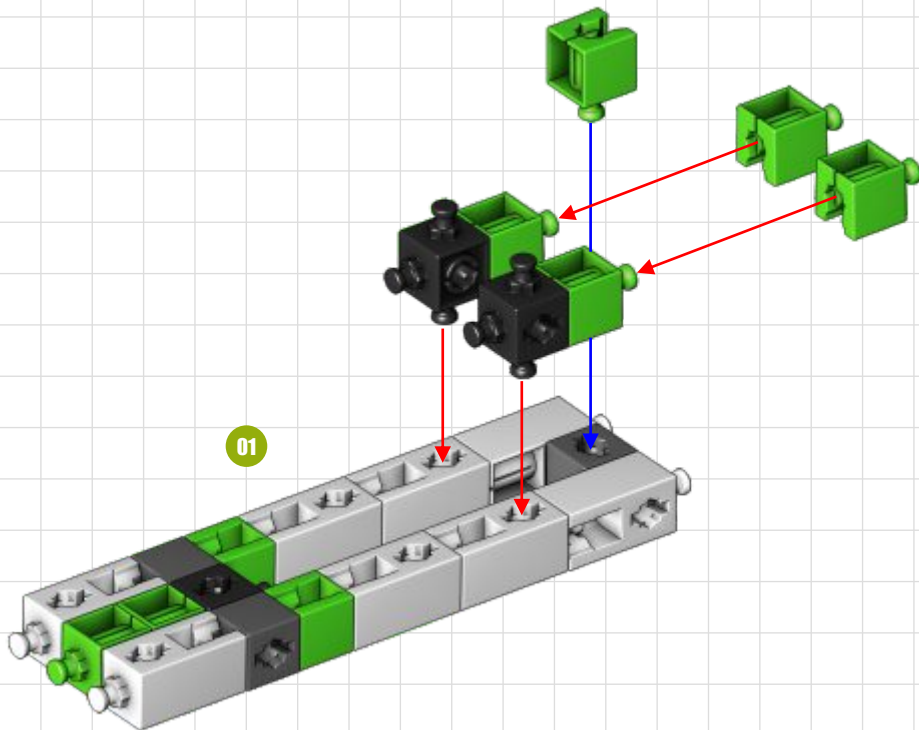


x5

02



01







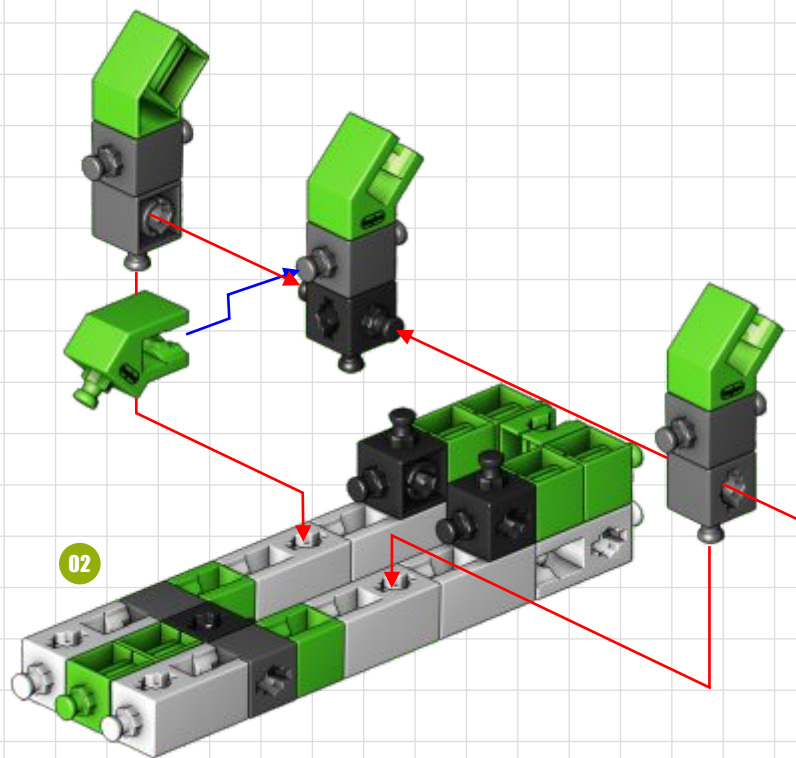
x4



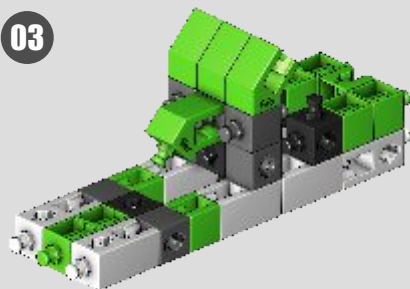
x5



x1



03

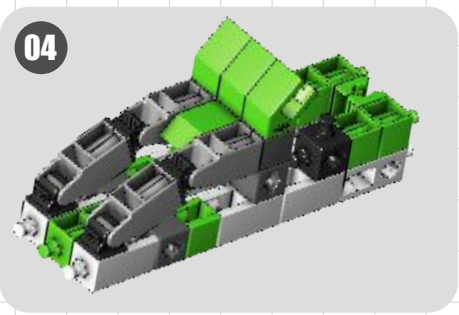
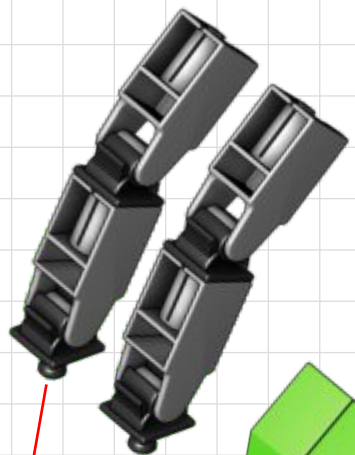




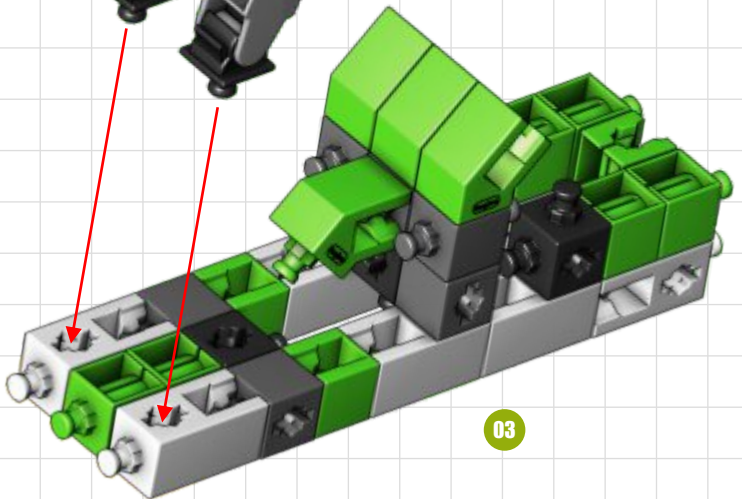
x4



x4



04



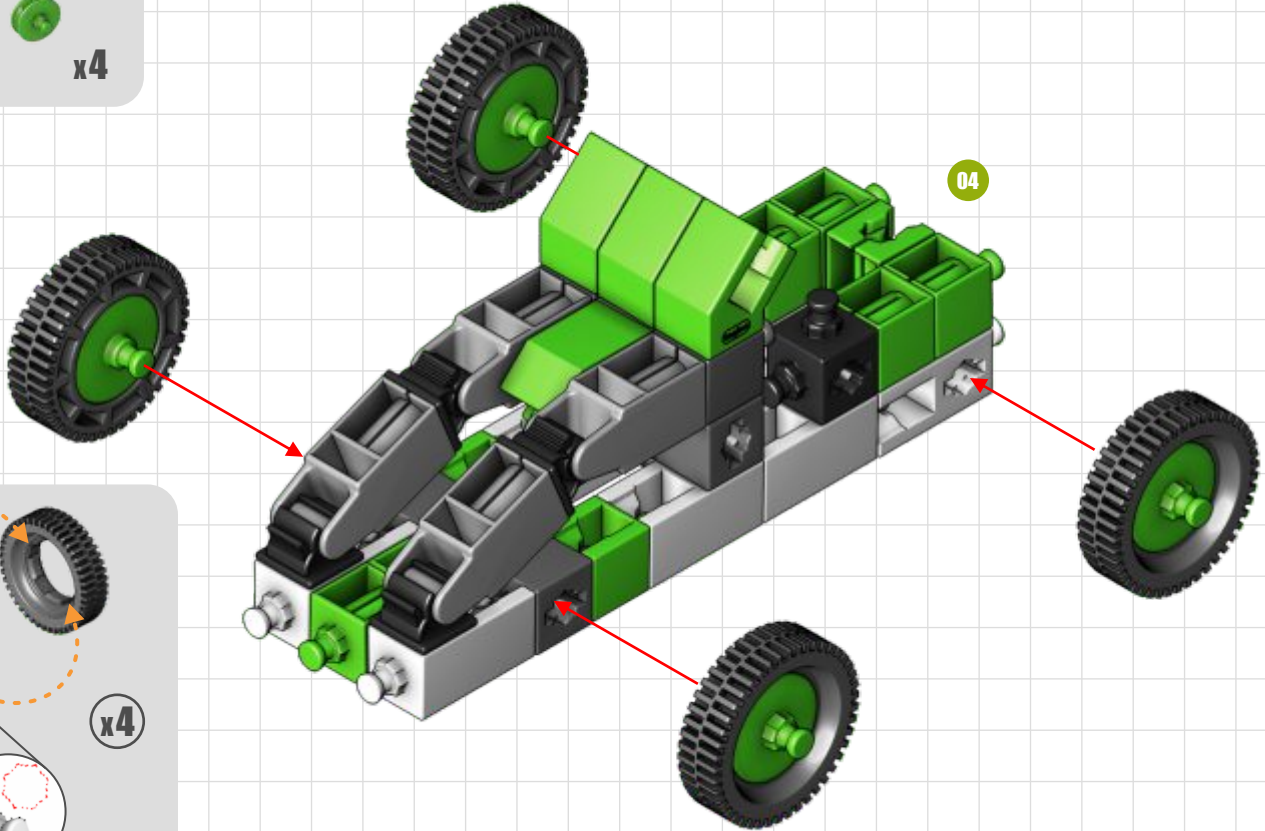
03



x4



x4



04



x4





x5



x1



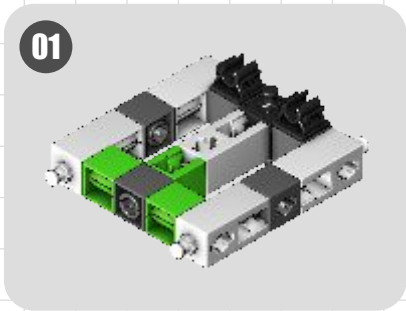
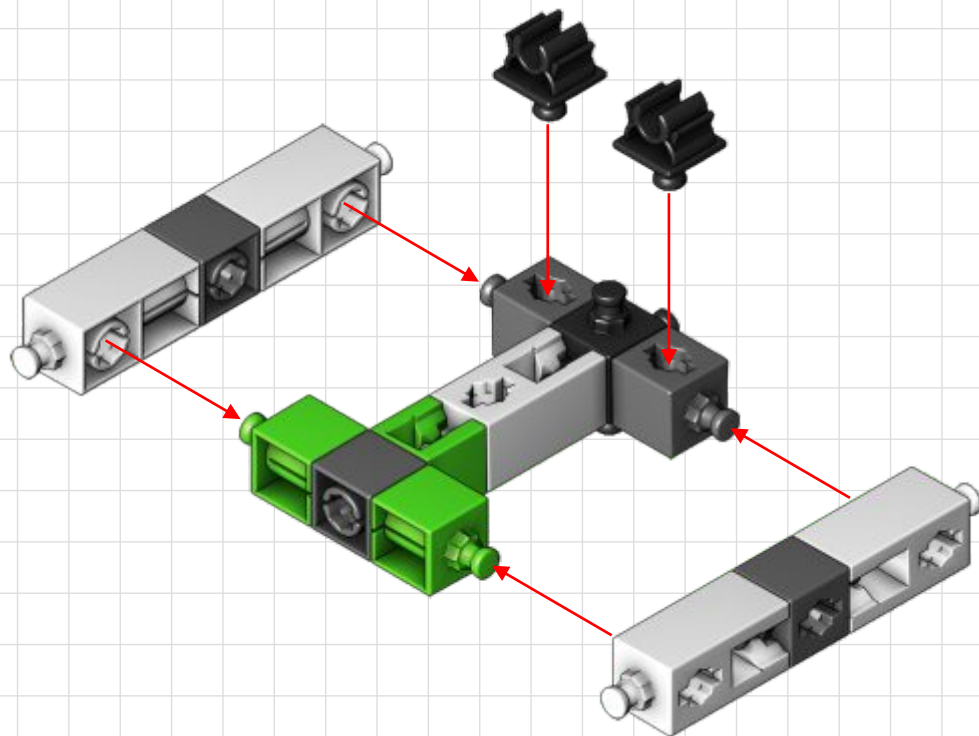
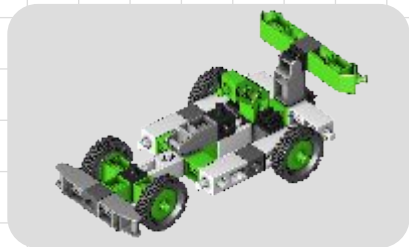
x3



x5



x2





x2



x1



x1

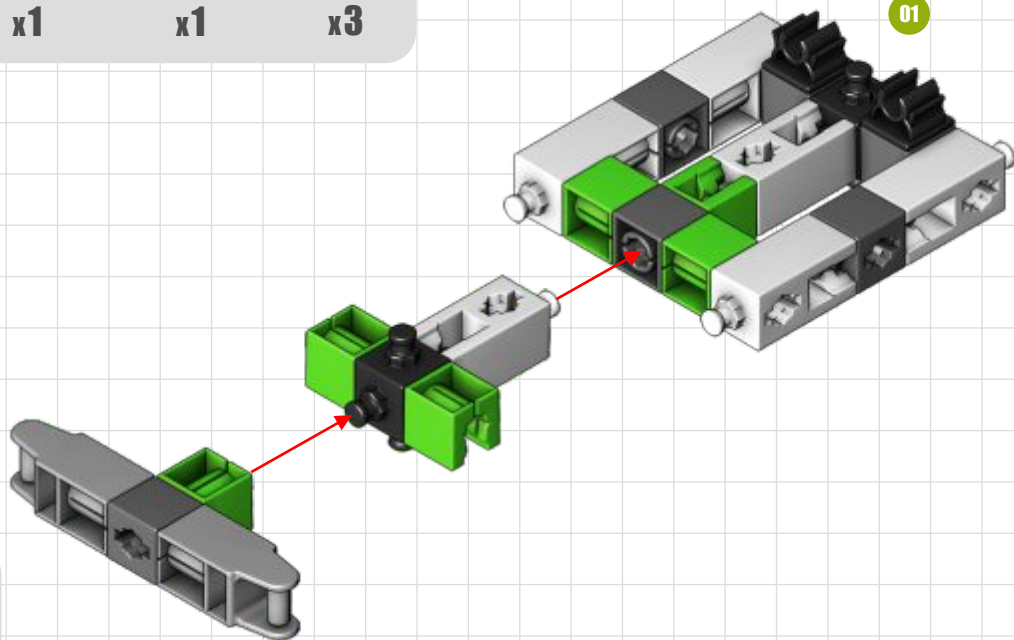


x1

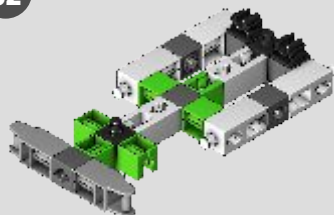


x3

01



02





x1



x2



x2



x1



x3

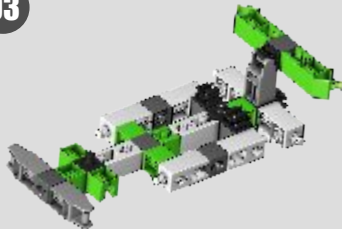


x1

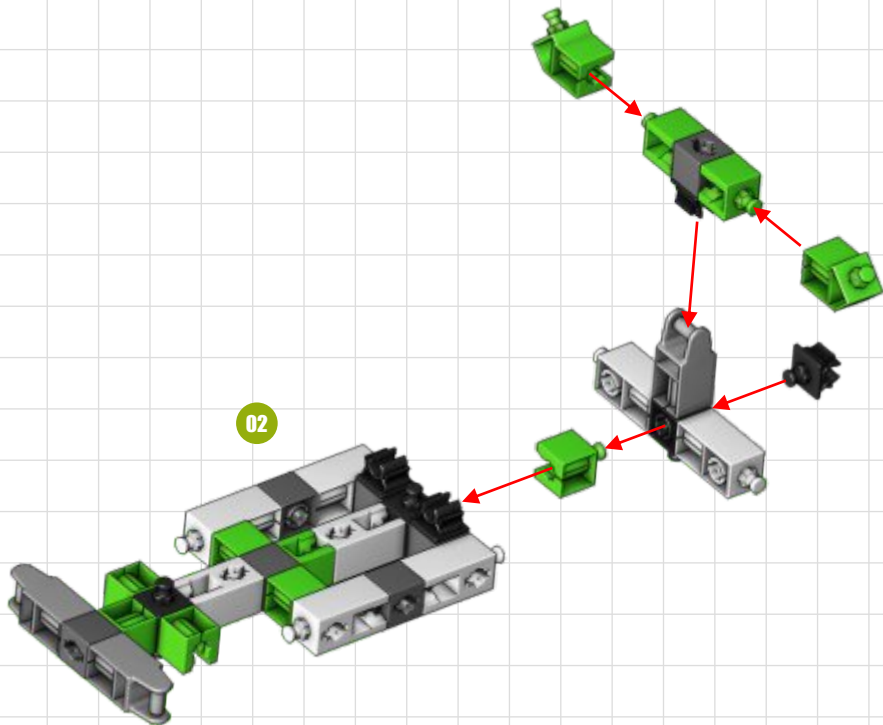


x2

03



02





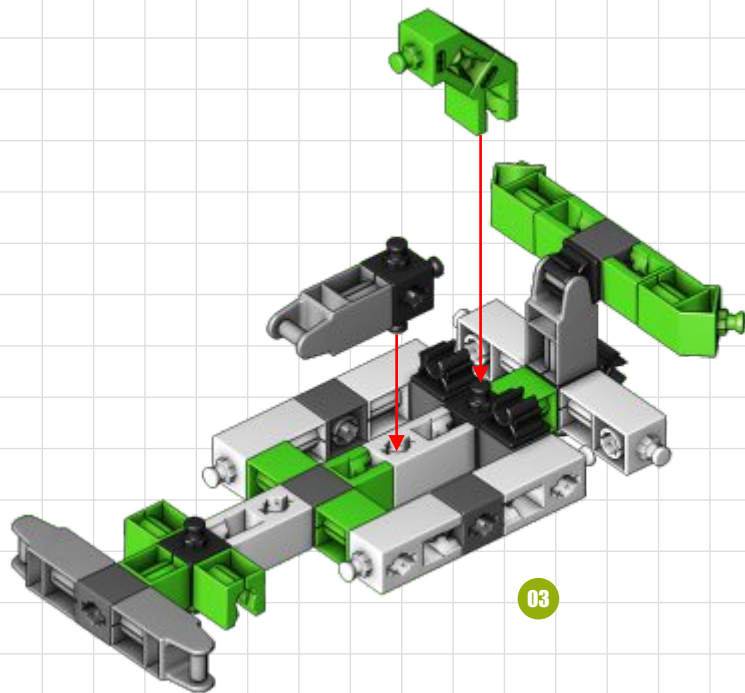
x1



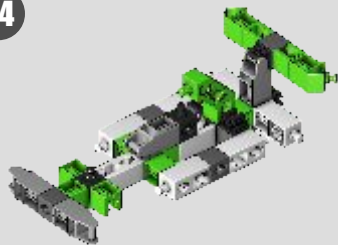
x2



x1



04

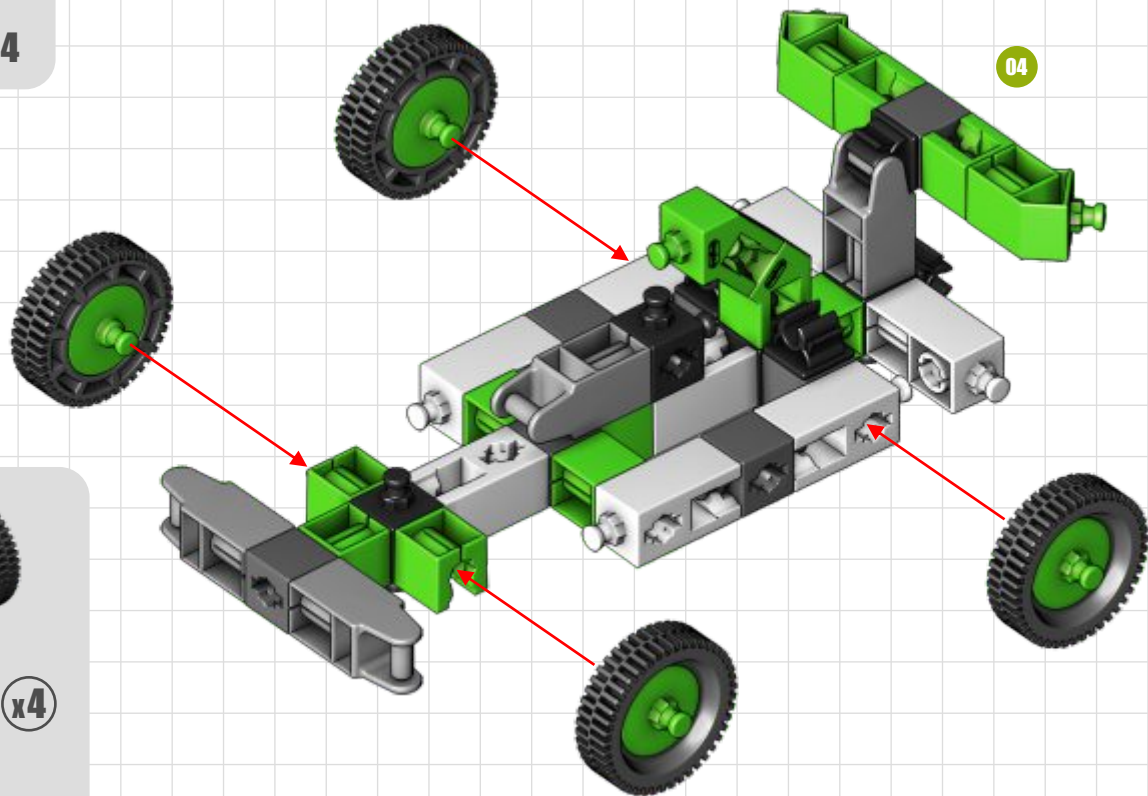




x4

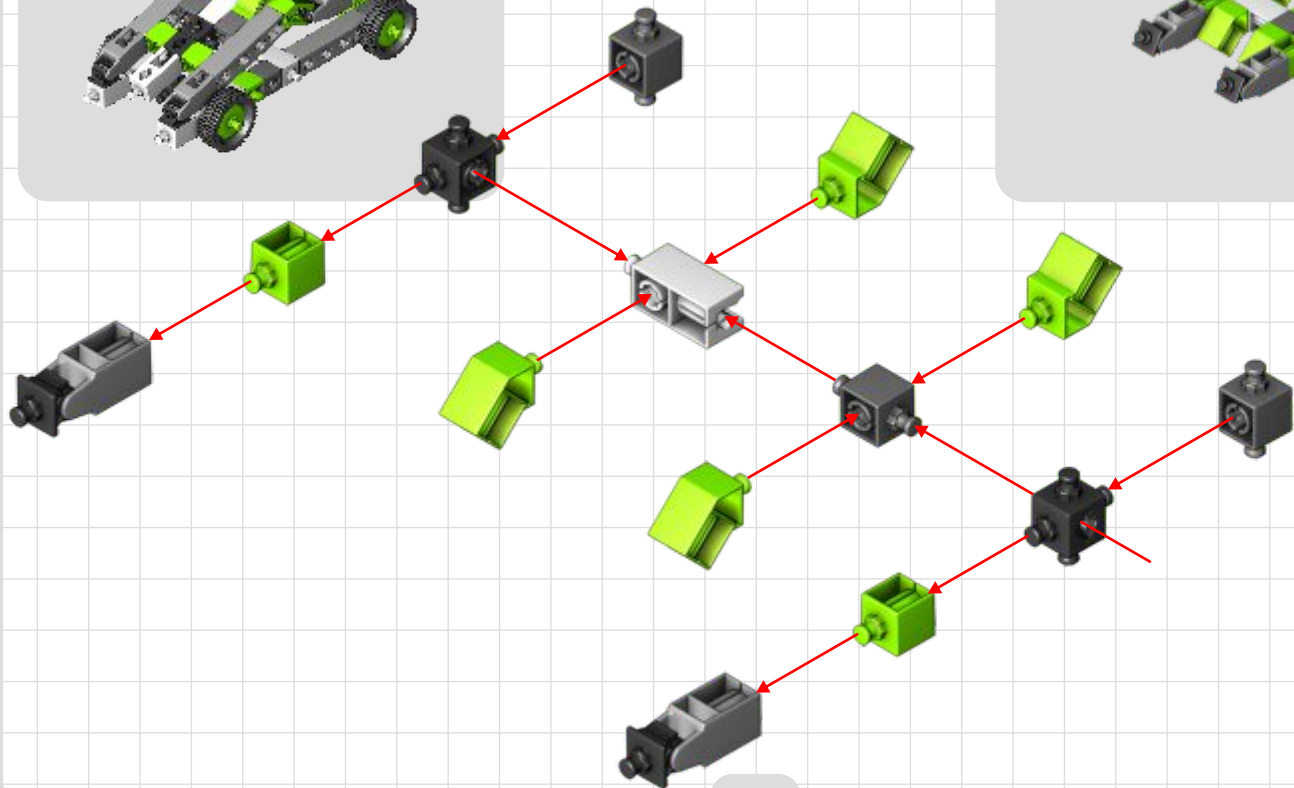
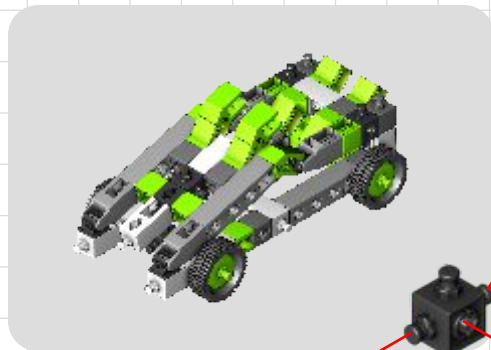


x4

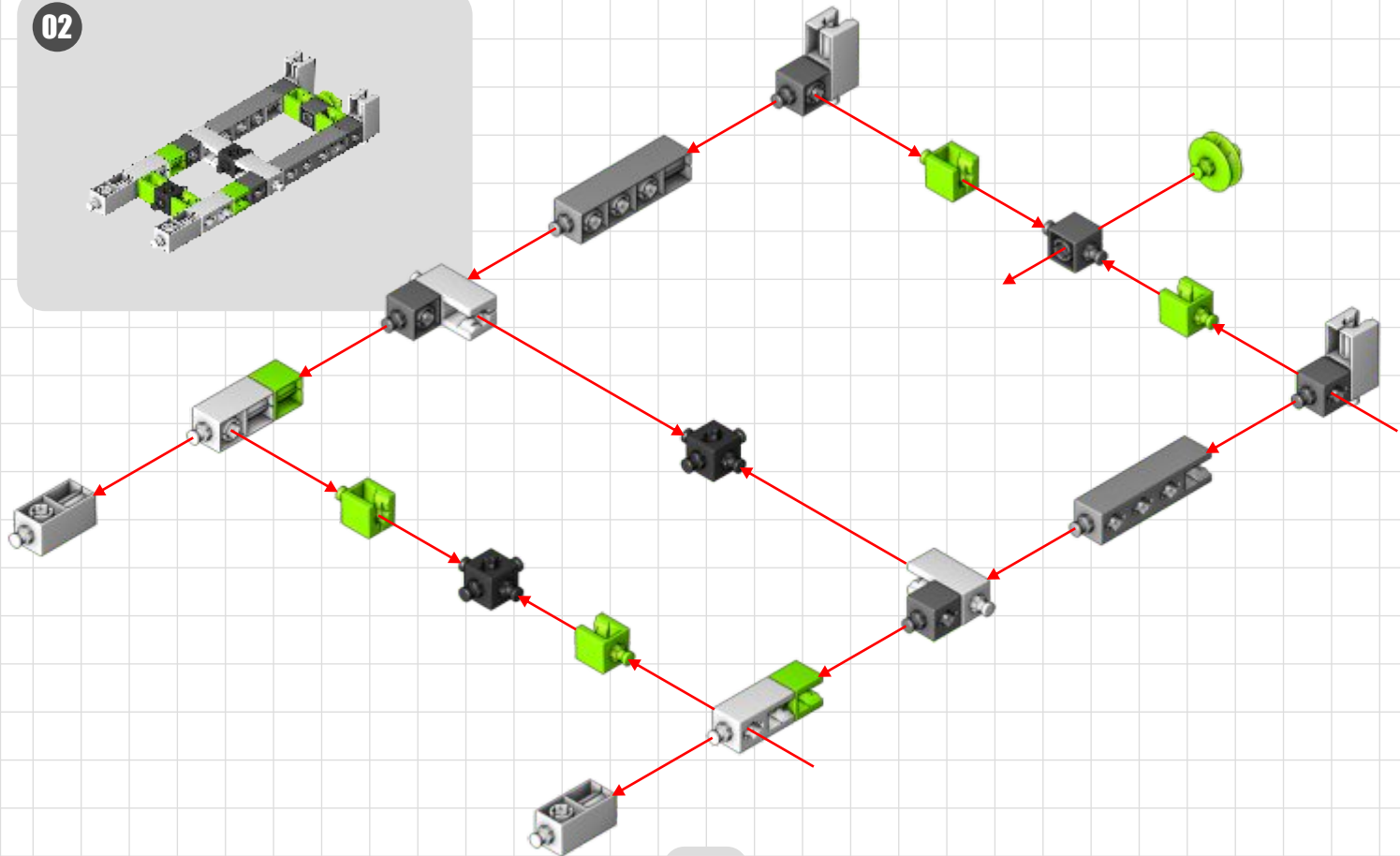
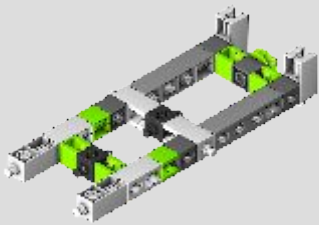


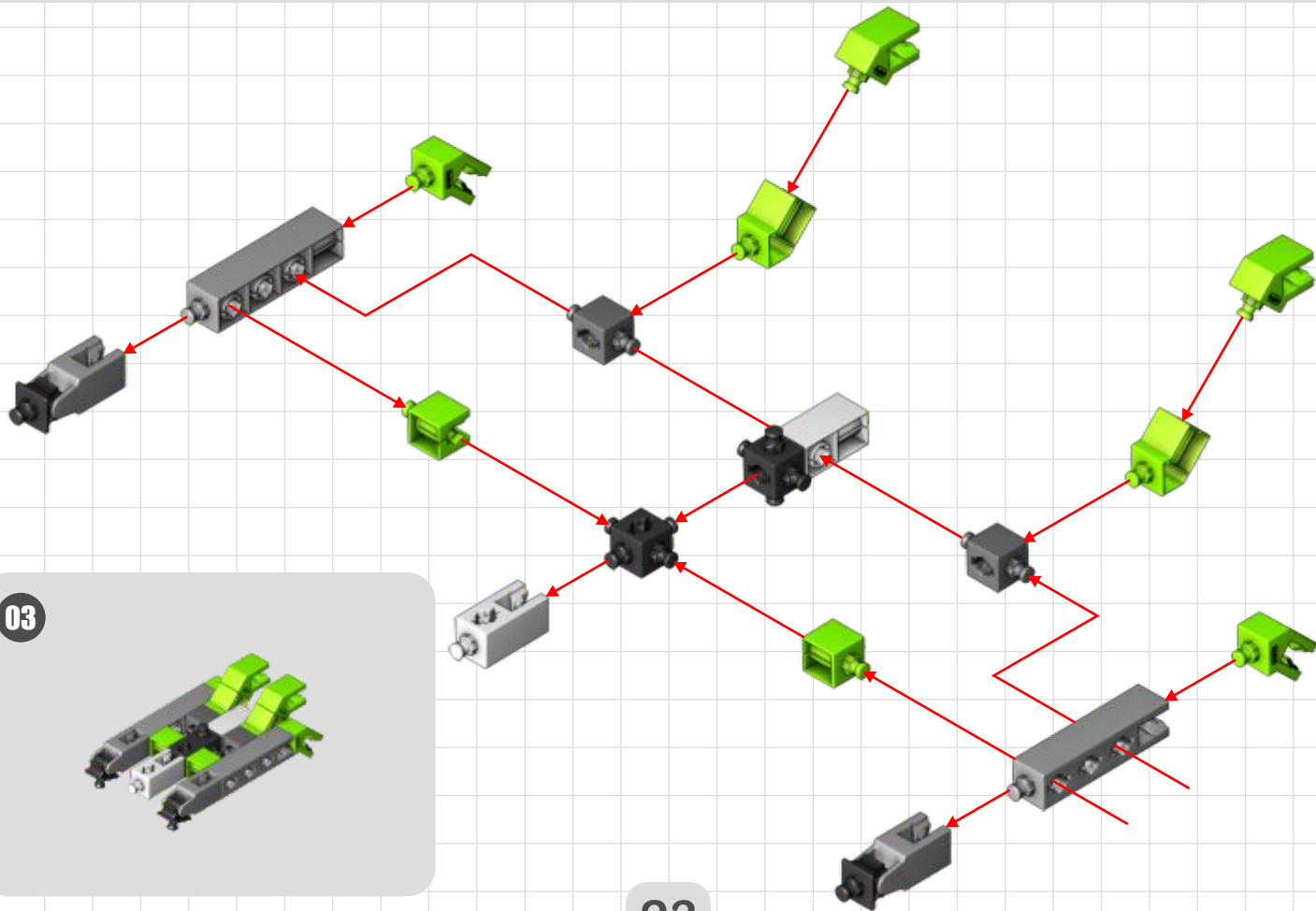
x4





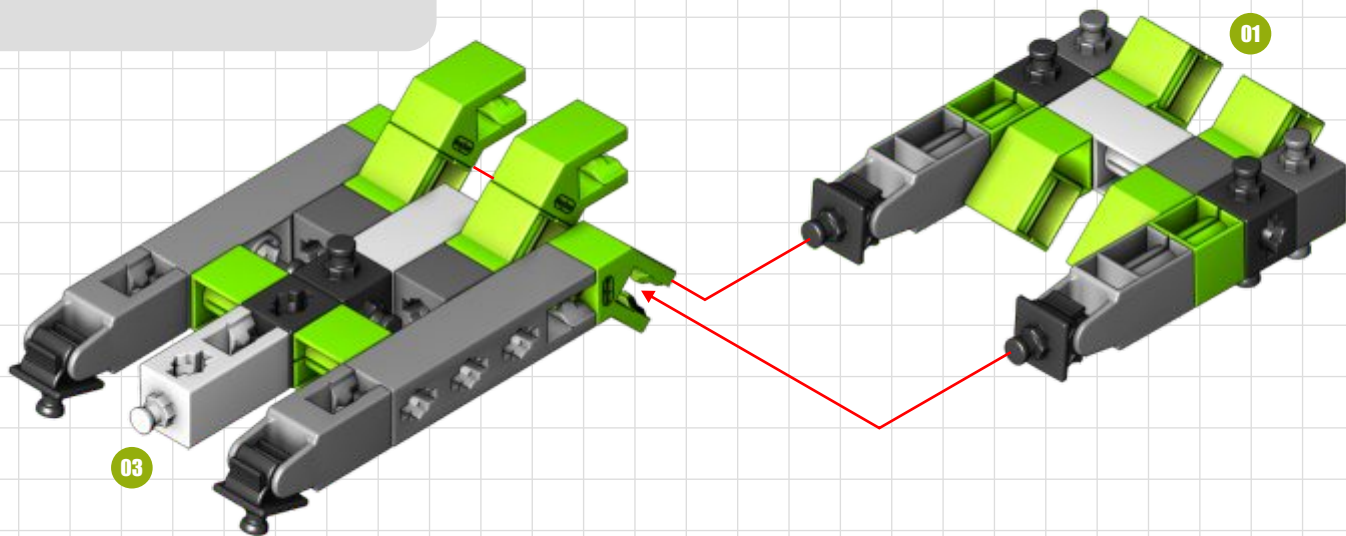
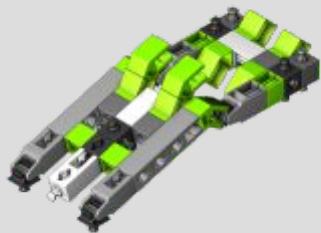
02



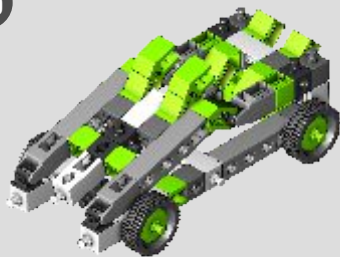


03

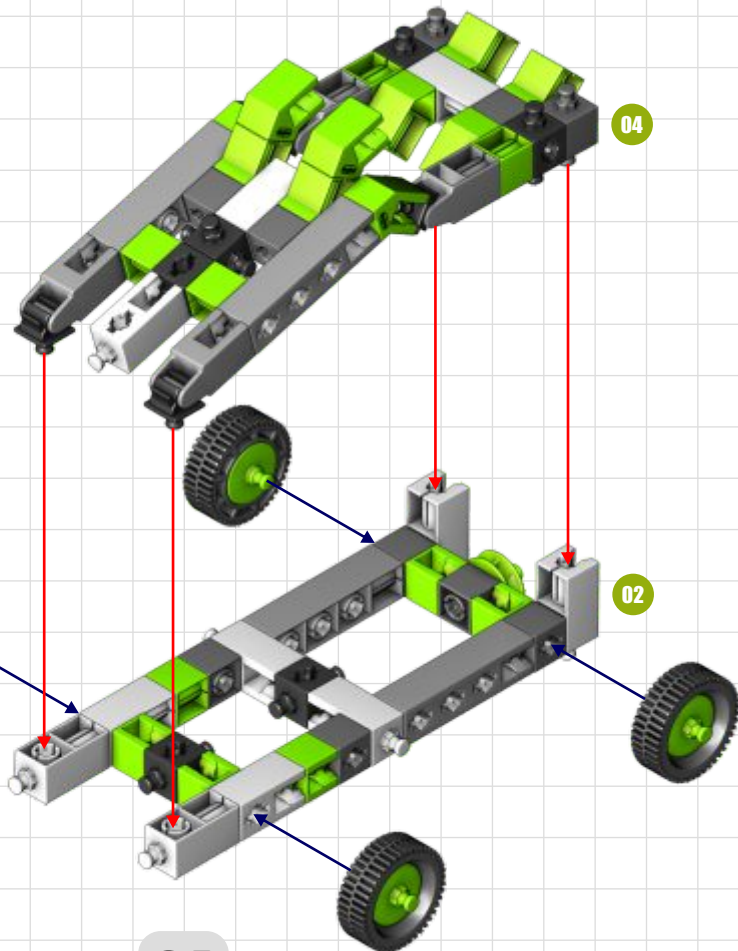
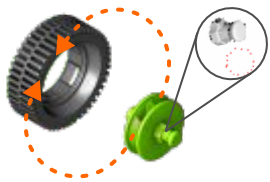
04

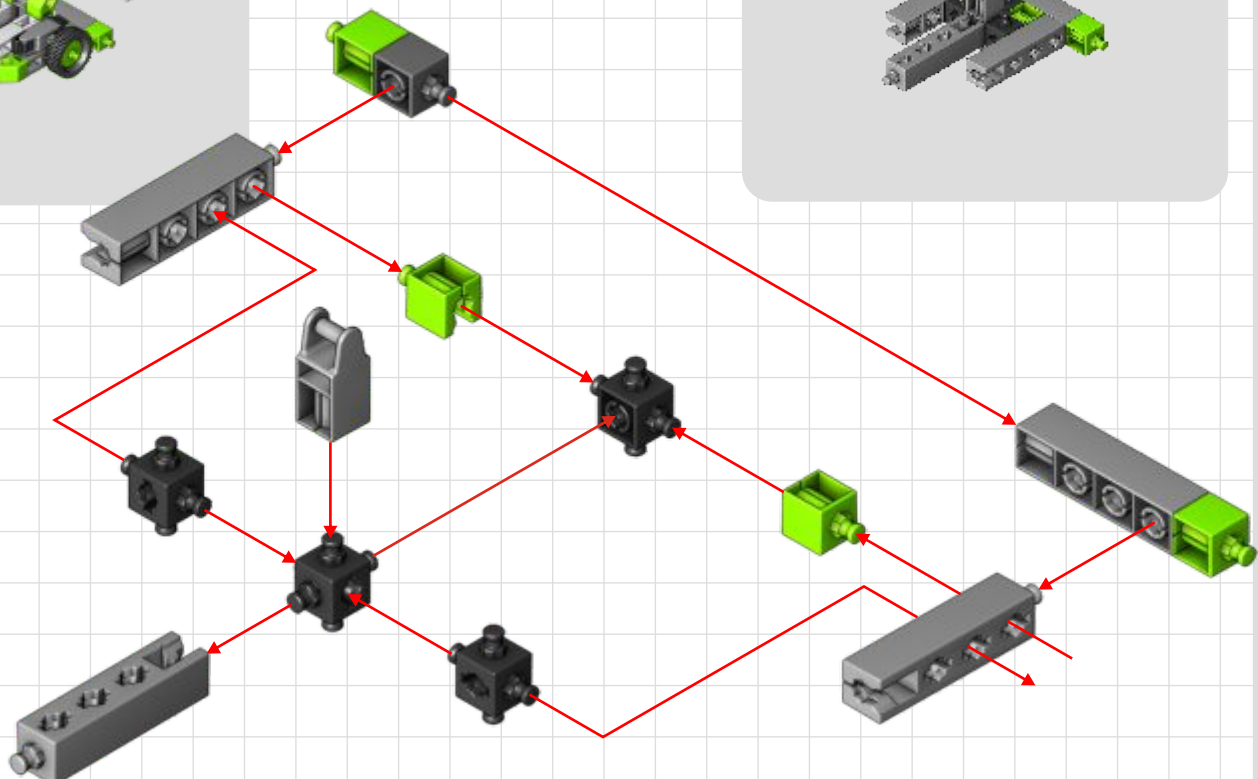
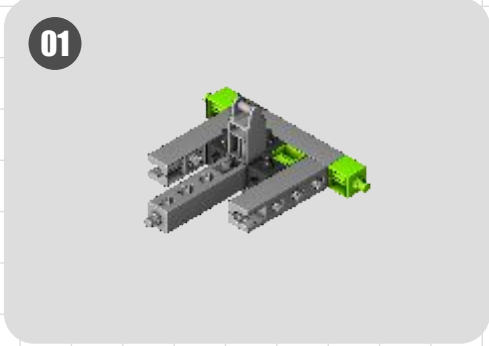
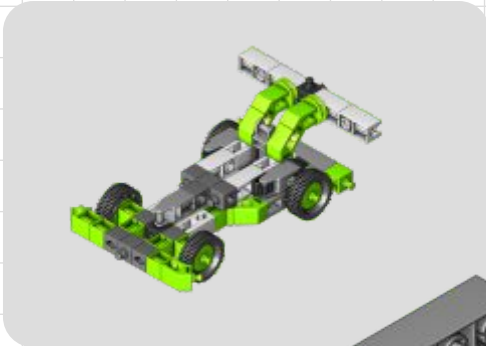


05

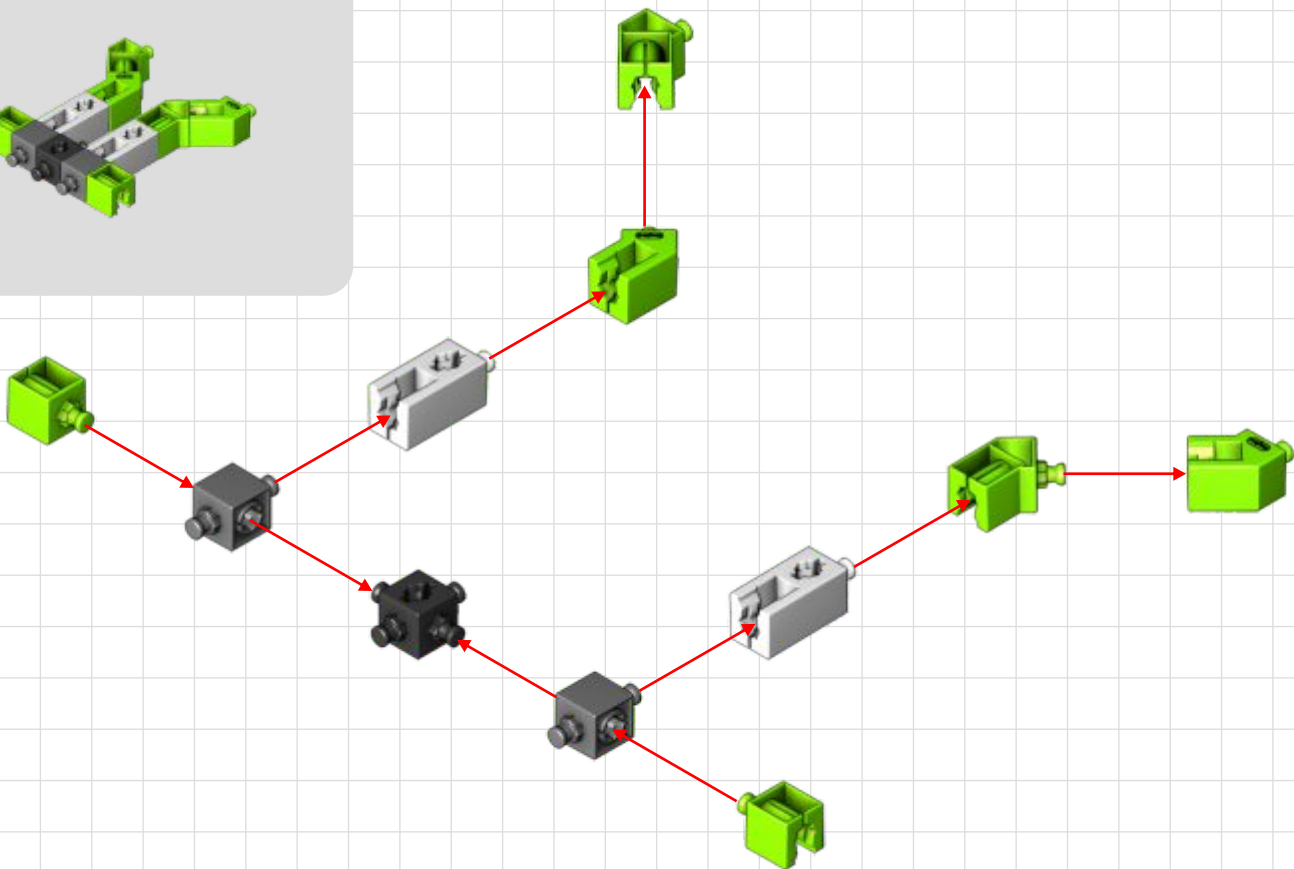
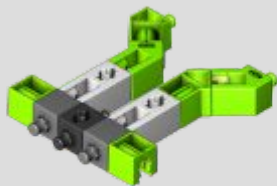


x4

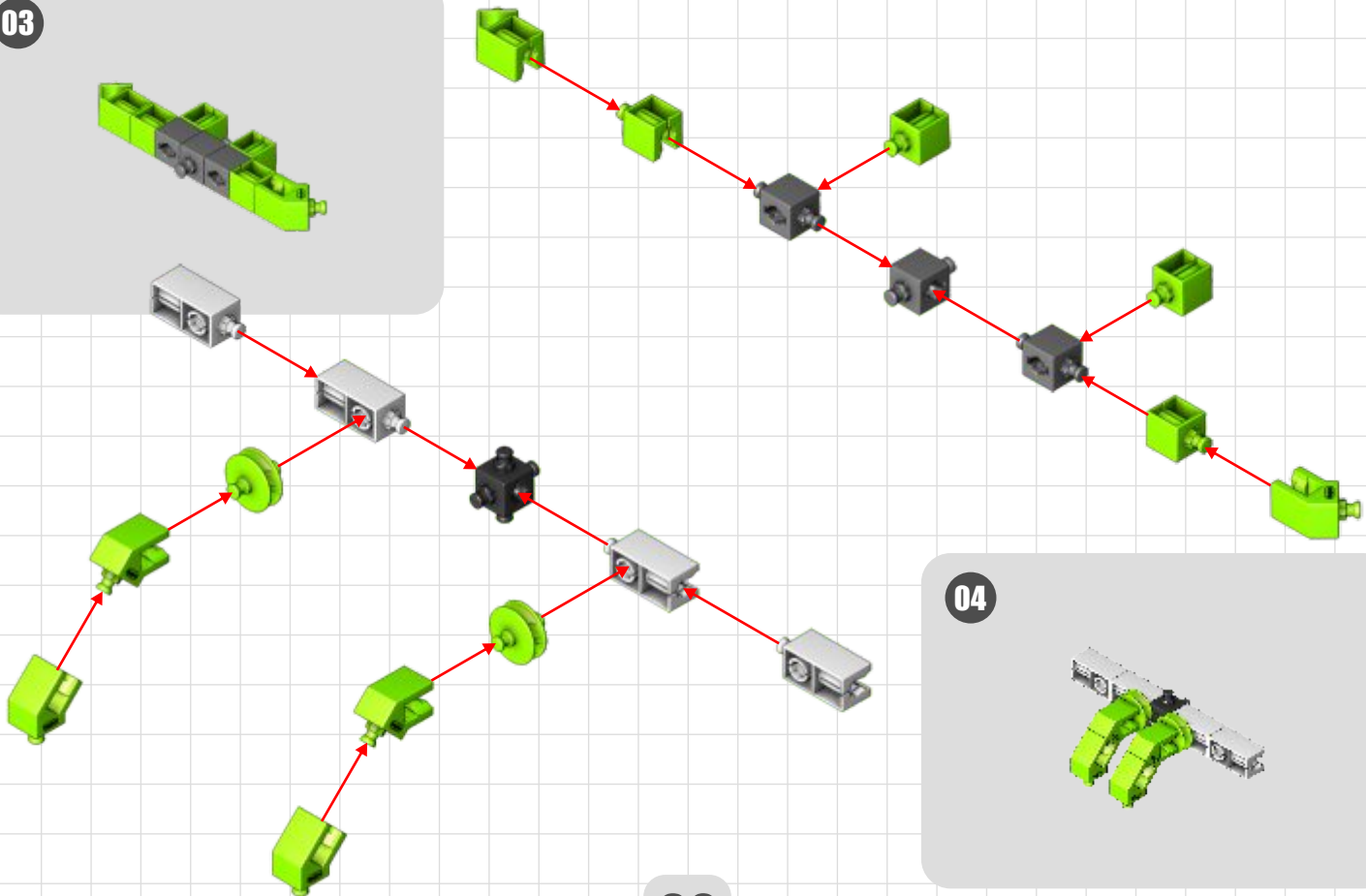
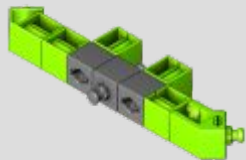




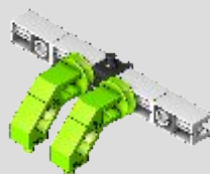
02



03

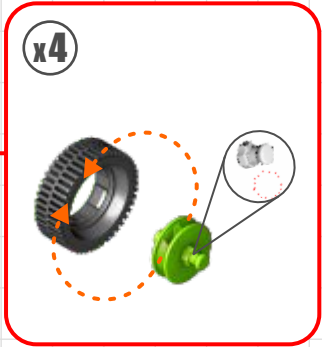
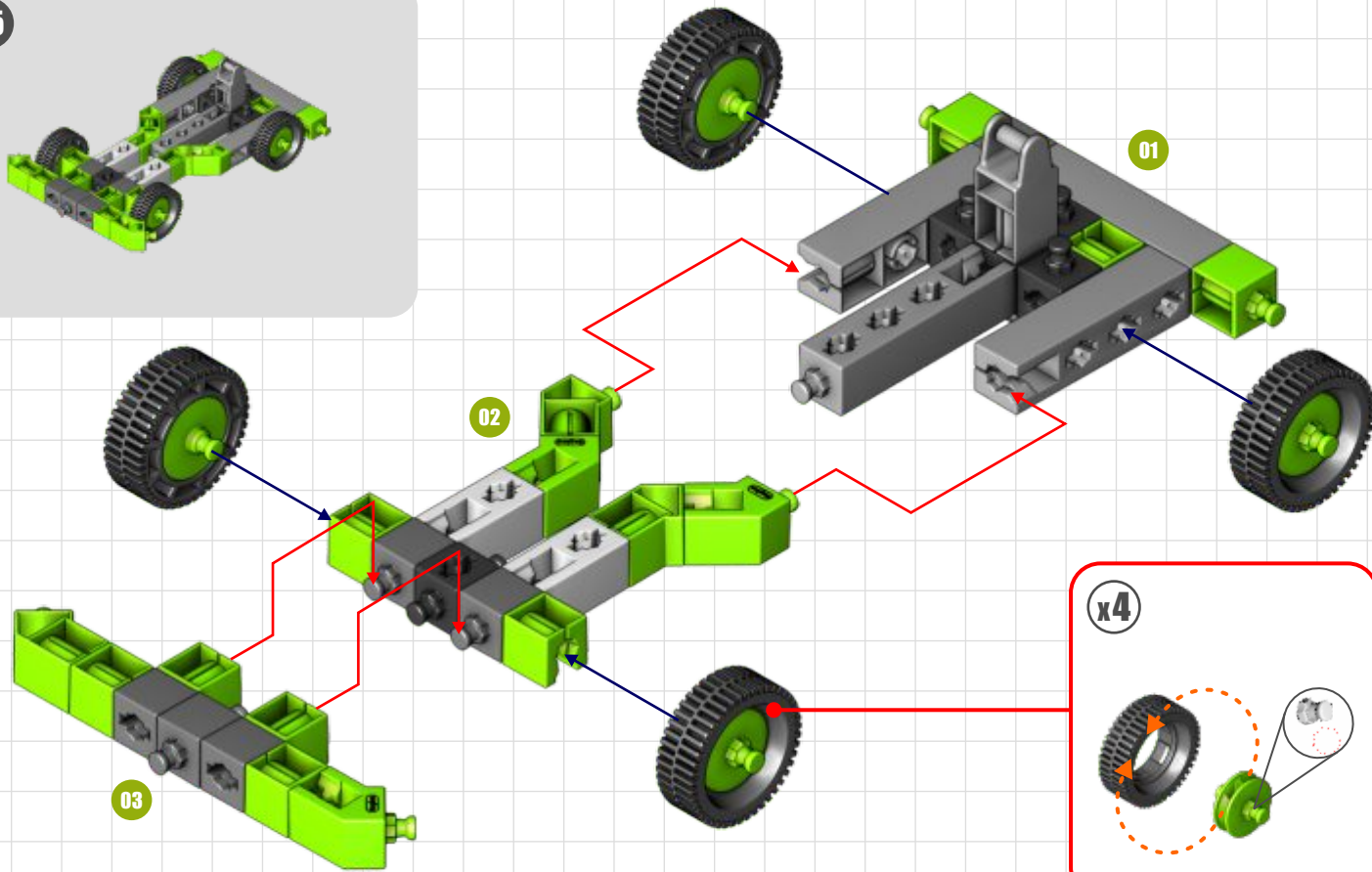
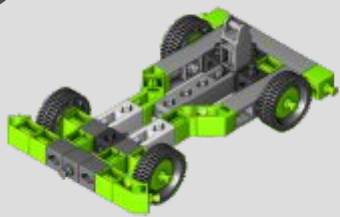


04

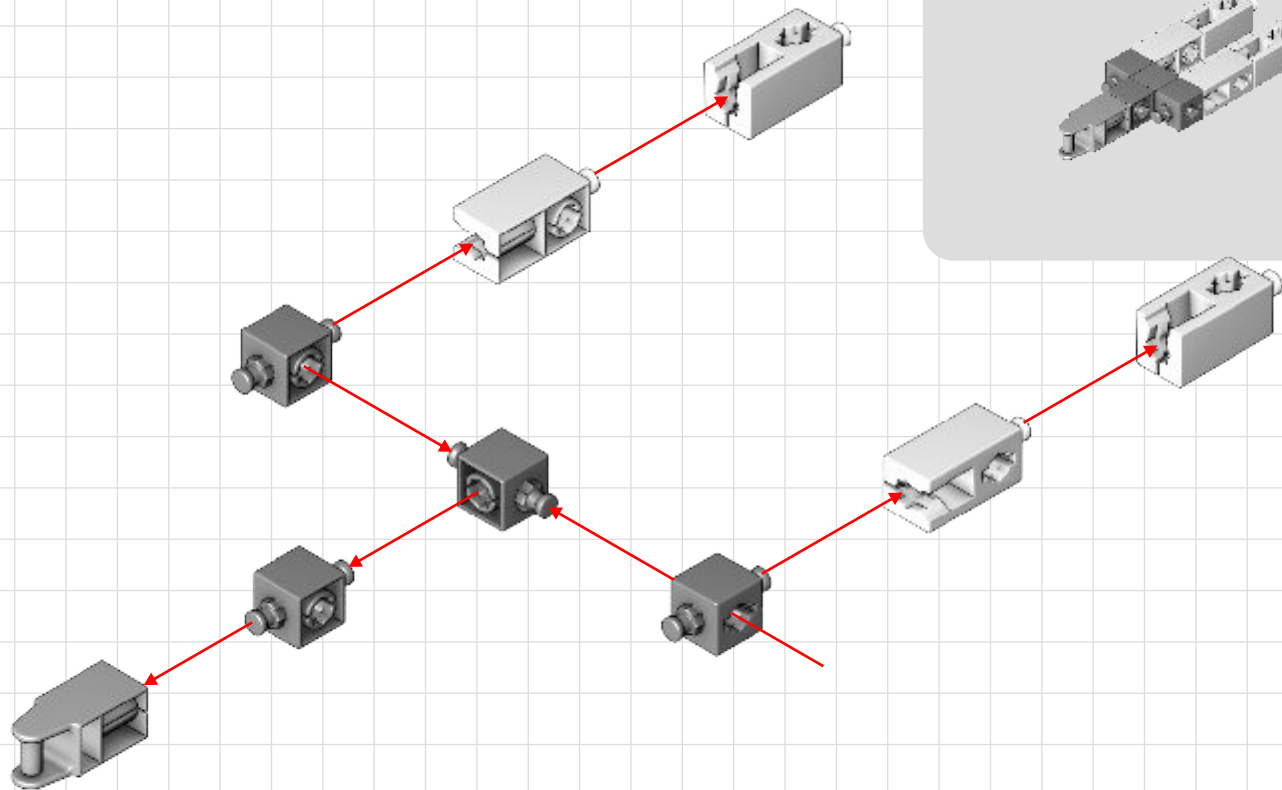
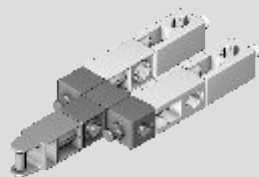




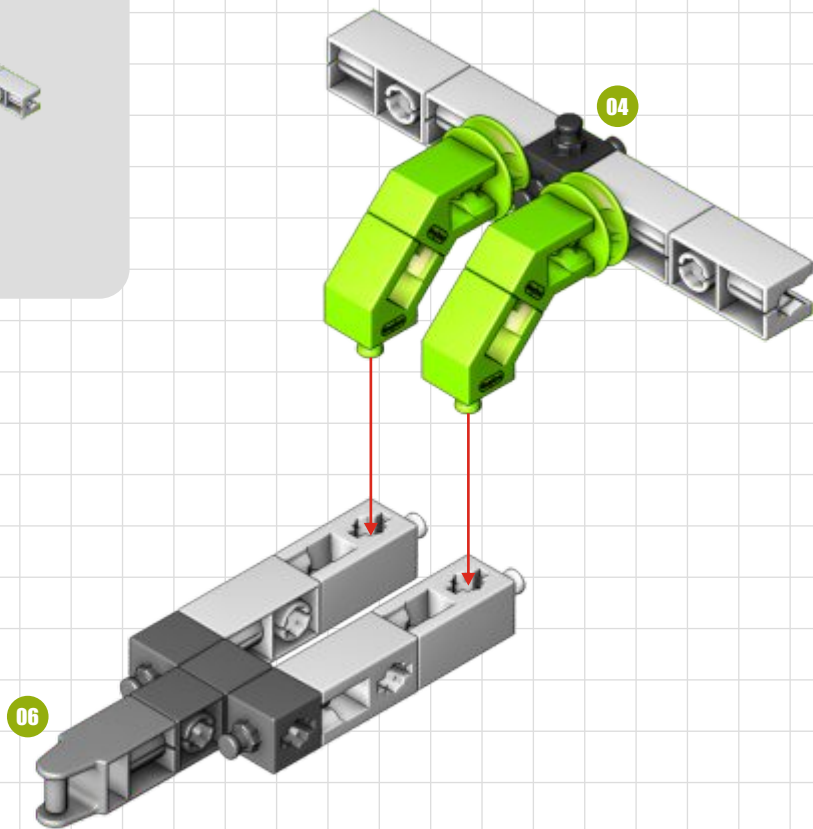
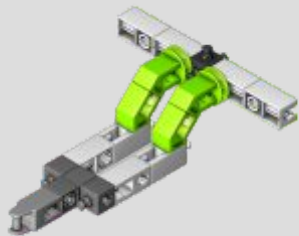
05



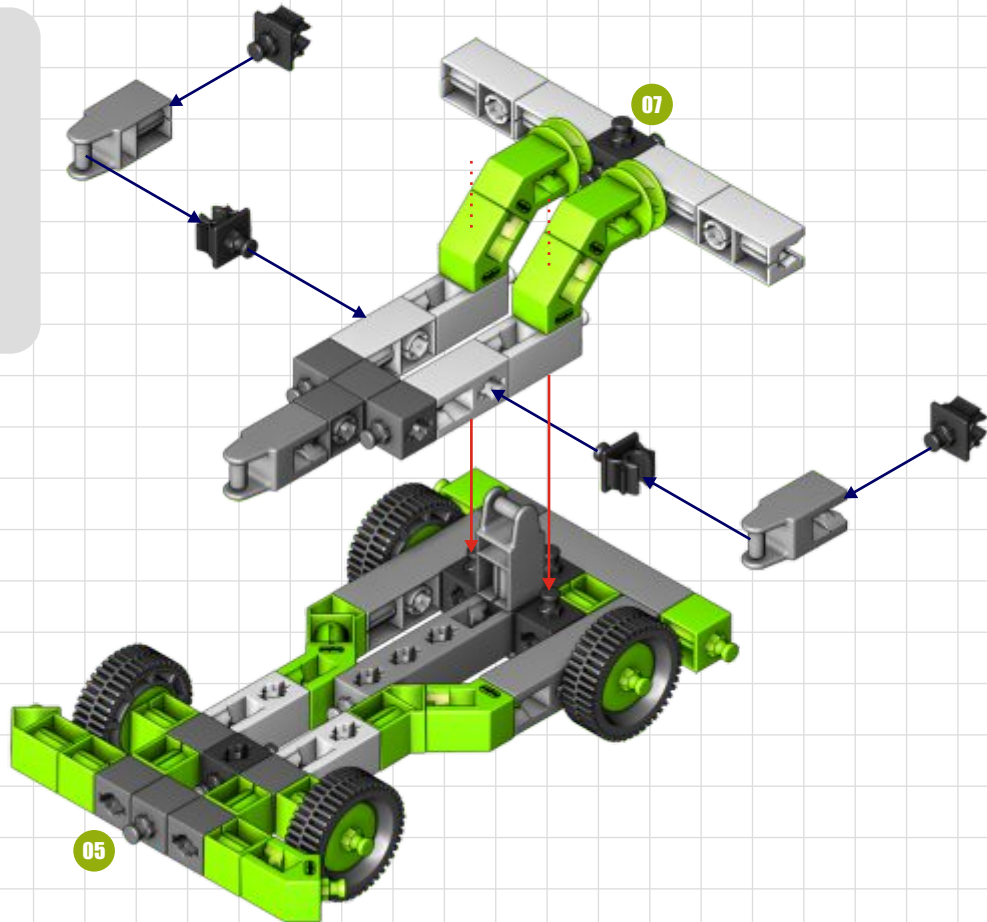
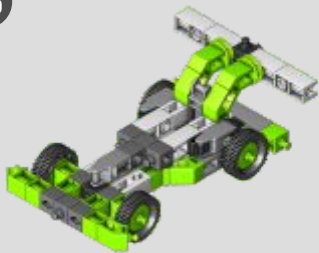
06



07



08





x2



x2



x1



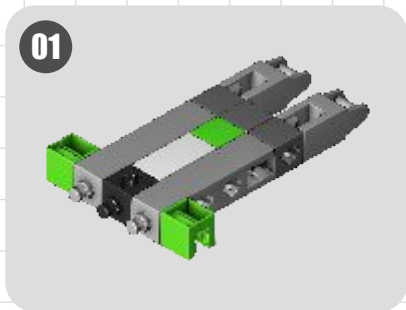
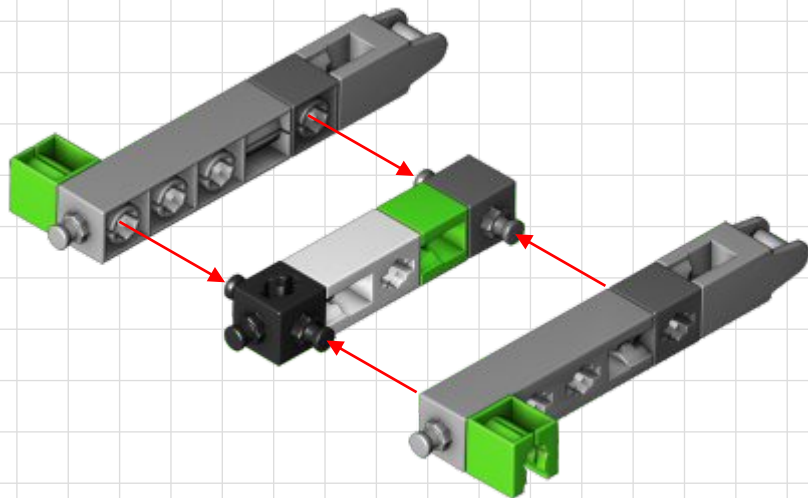
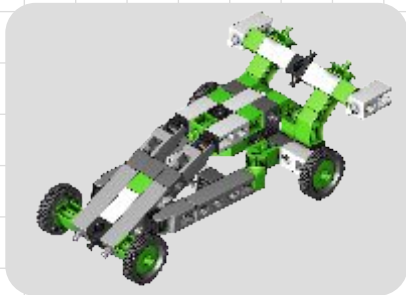
x1



x3



x3





x2



x2



x1



x4

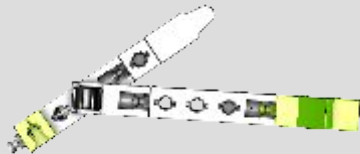
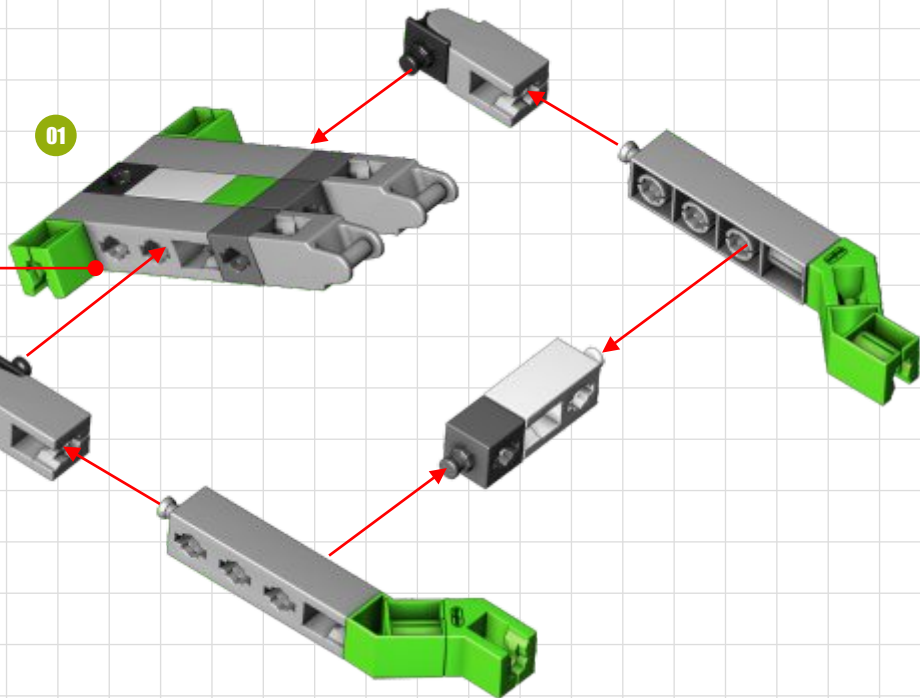


x1

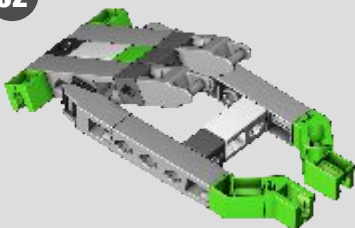


x2

01



02





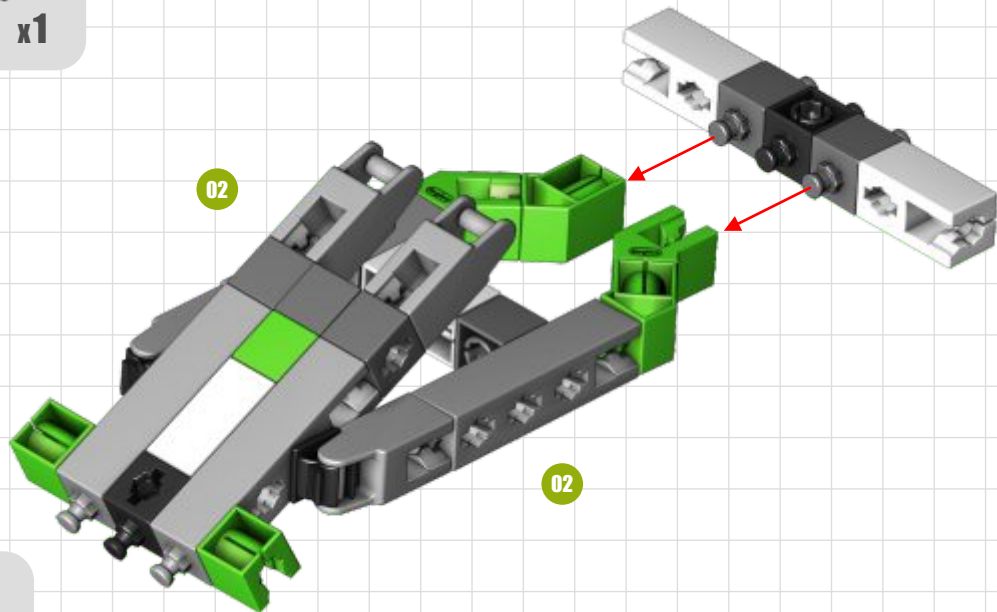
x2



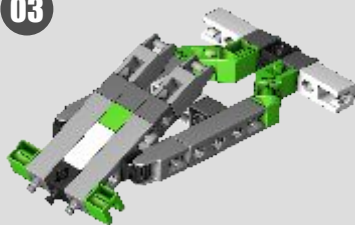
x2



x1



03





x3



x1



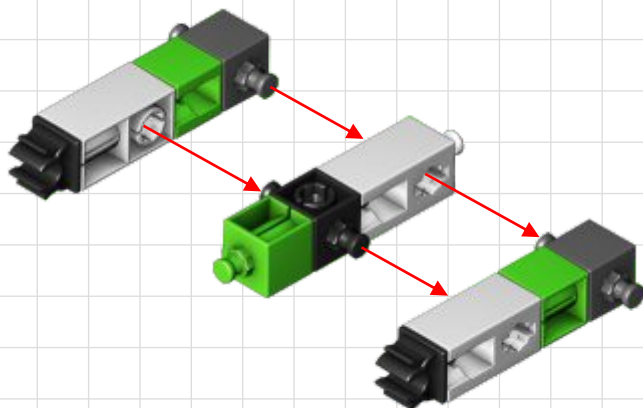
x3



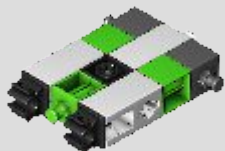
x2



x2



04



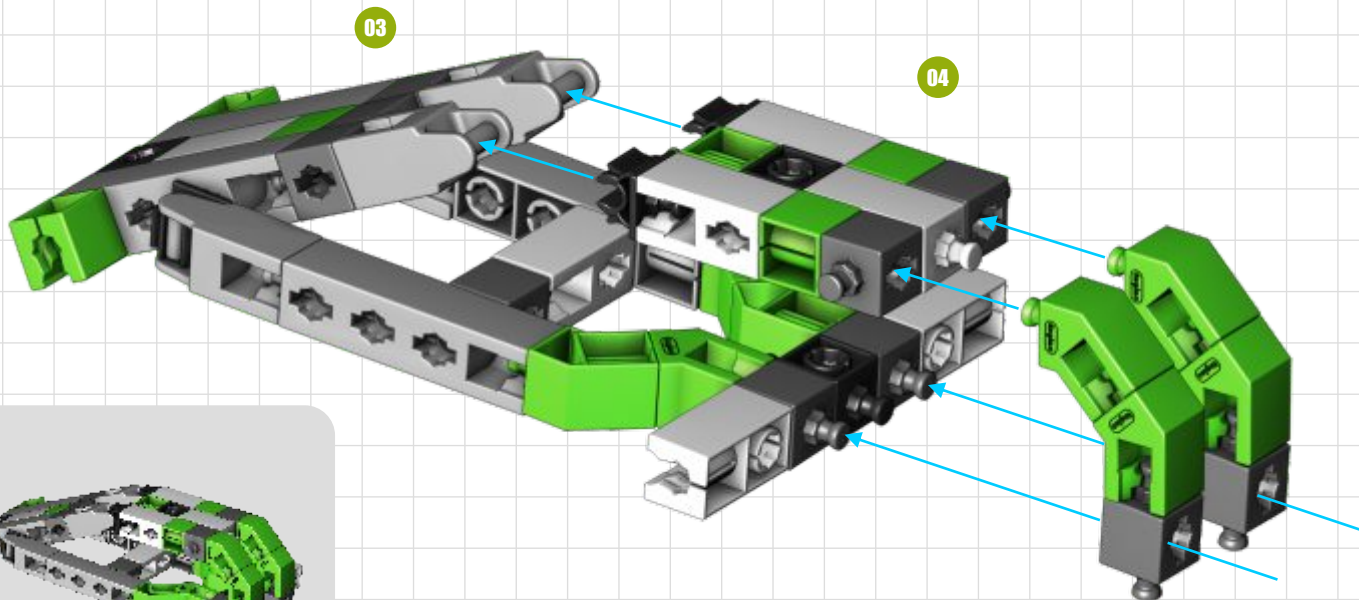




x4



x2



05





x4



x3



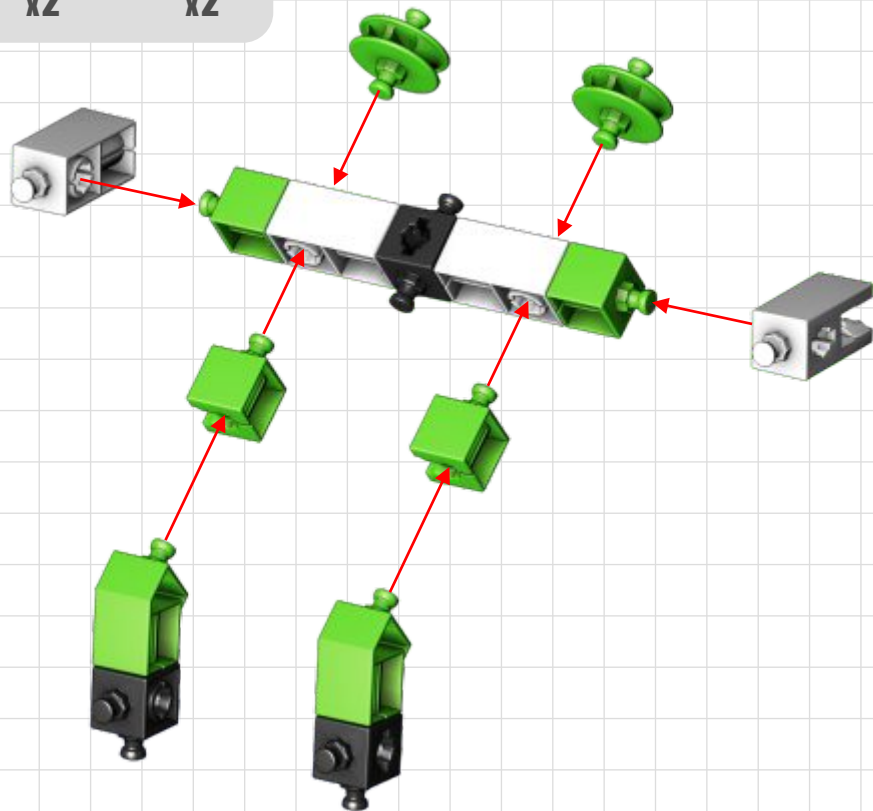
x4



x2

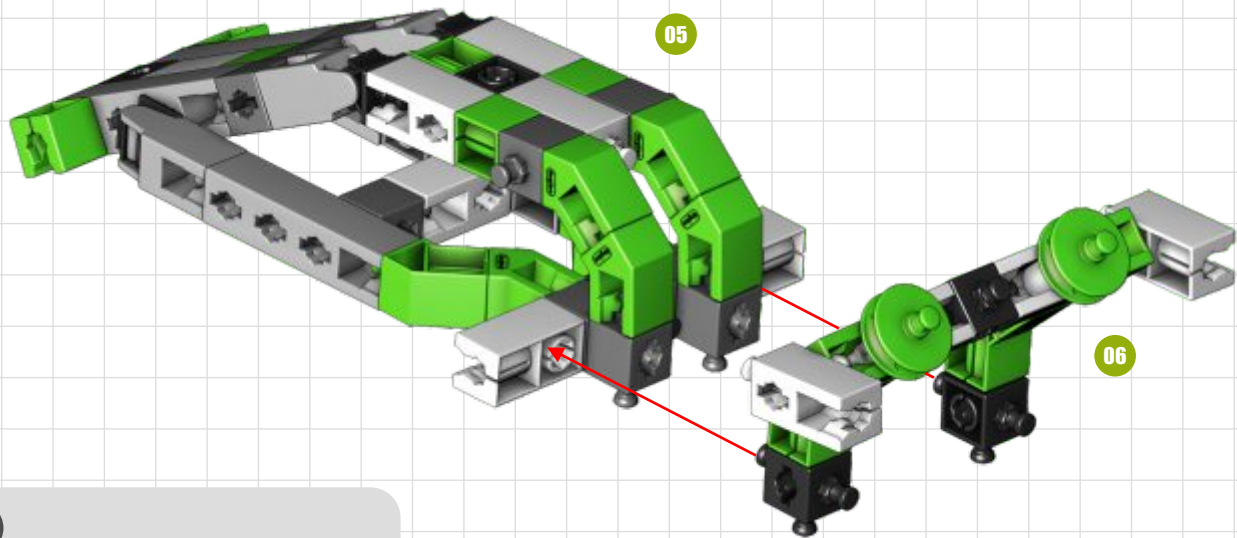


x2



06





07

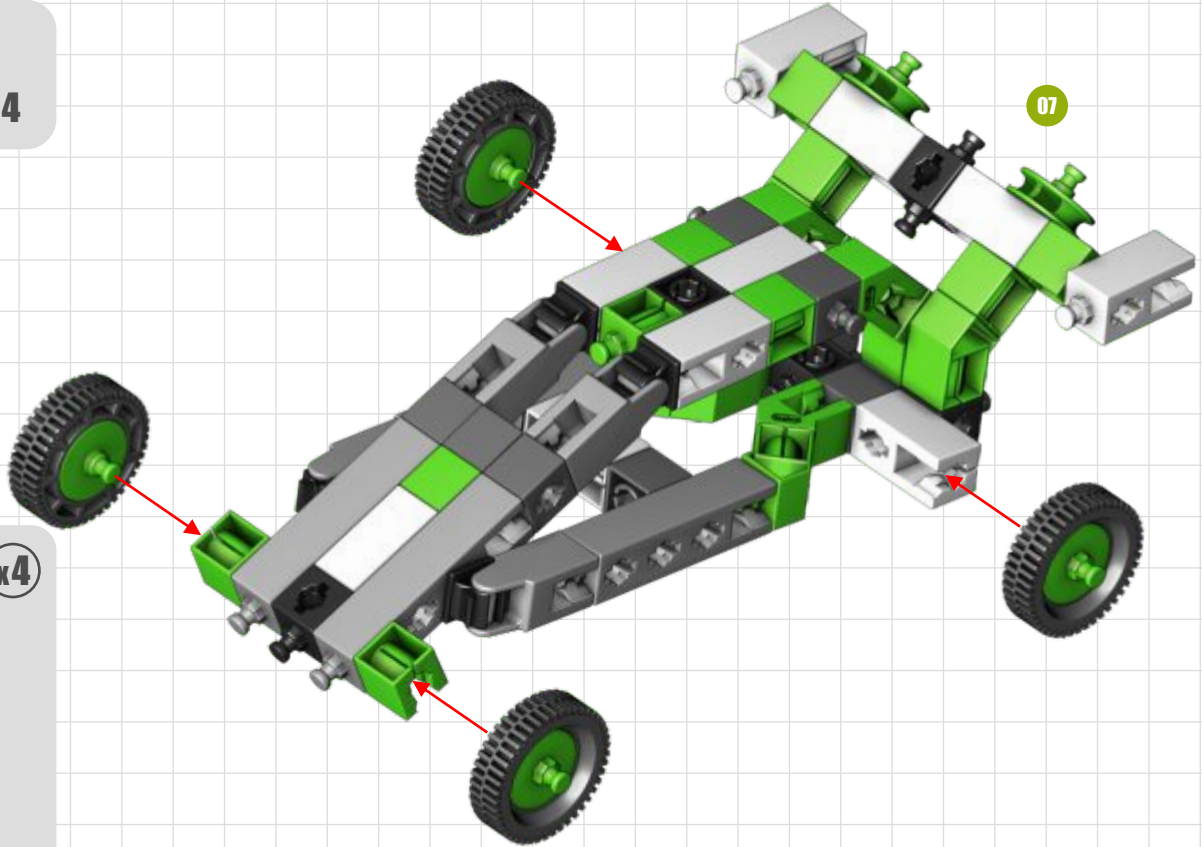




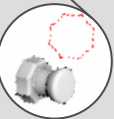
x4

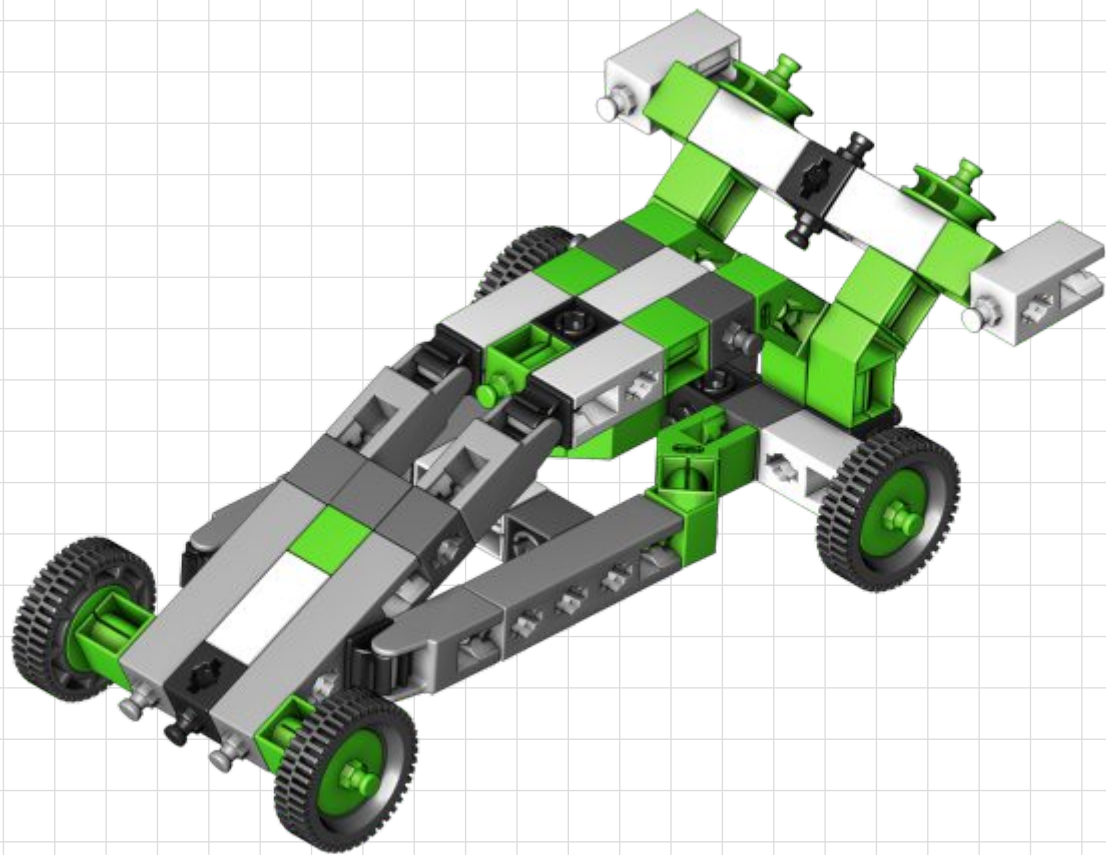


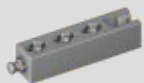
x4



x4







x2



x2



x2



x1



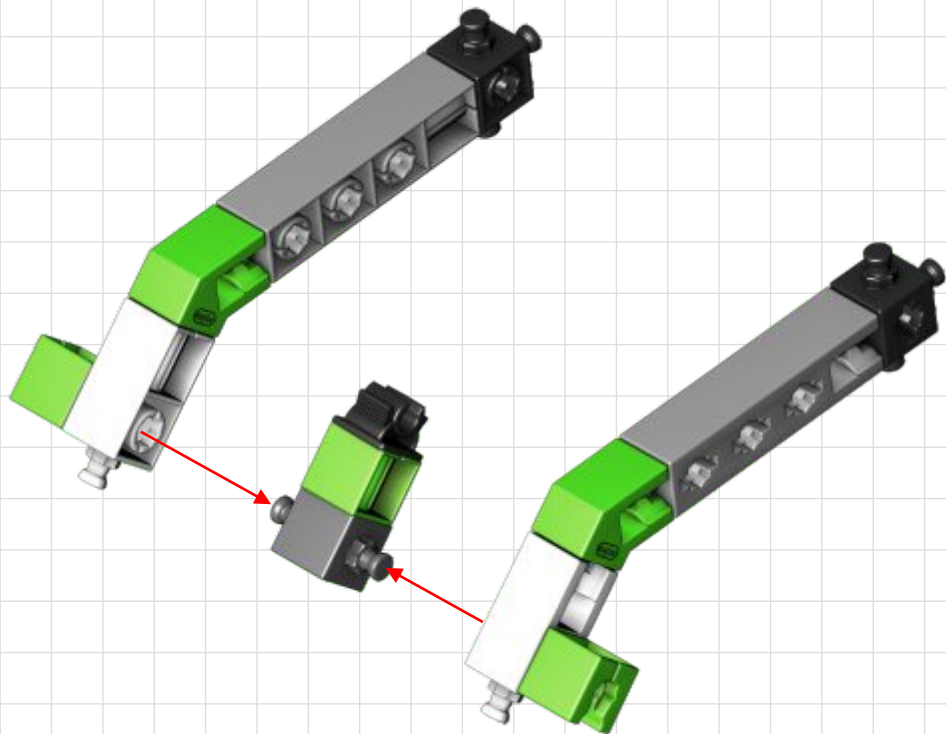
x2



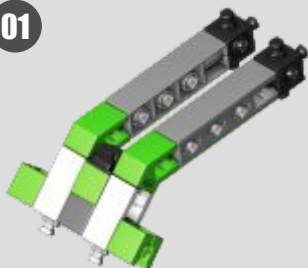
x3



x1



01





x2



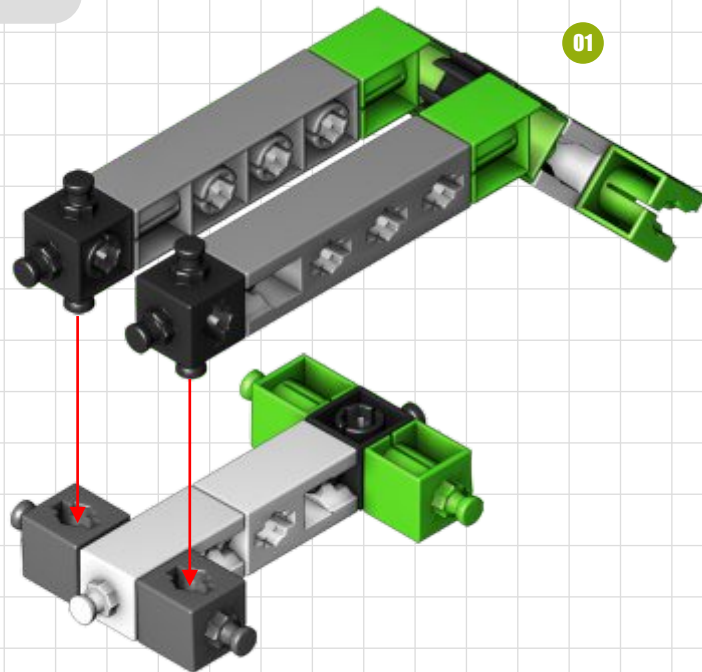
x1



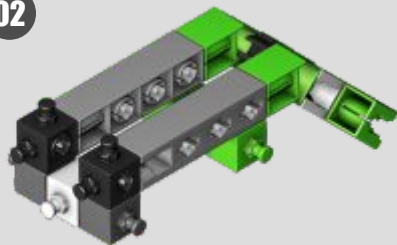
x2



x2



02





x1



x1

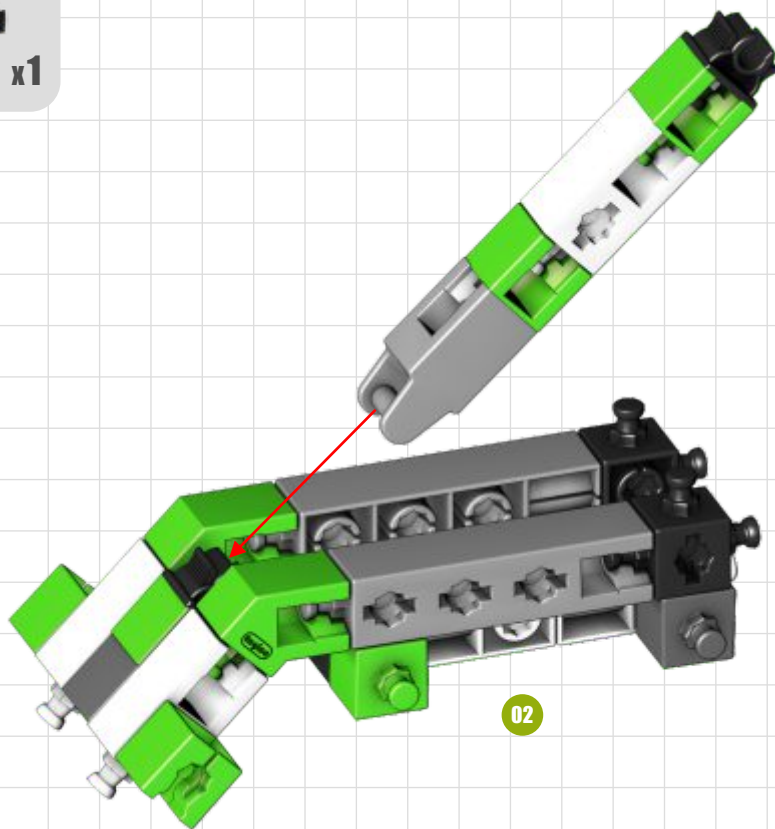
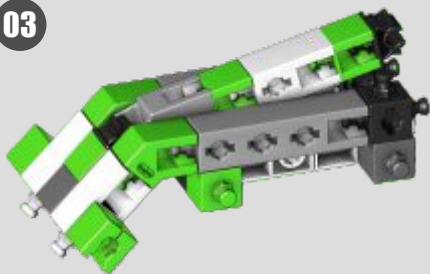


x2



x1

03



02





x1



x2

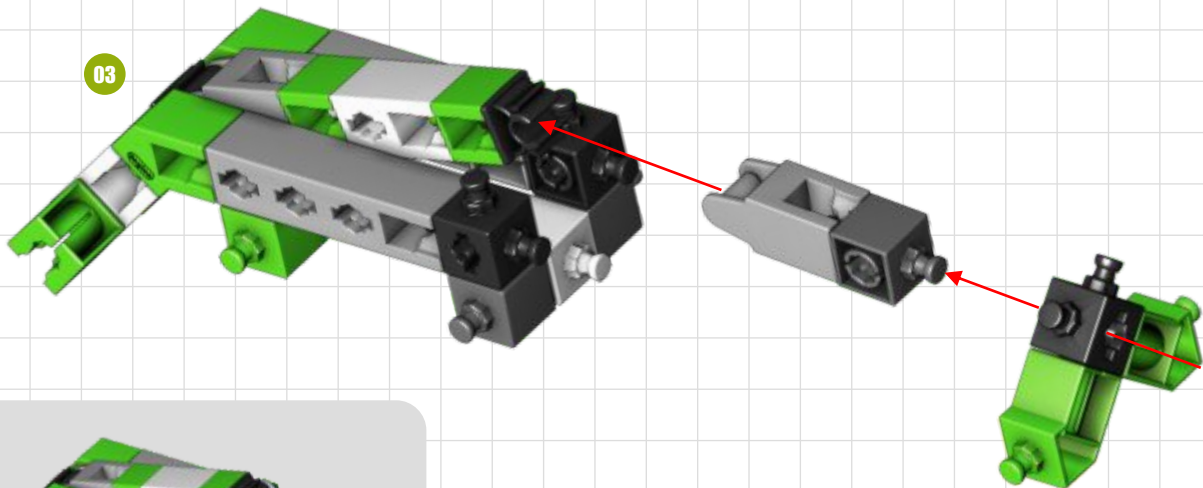


x1

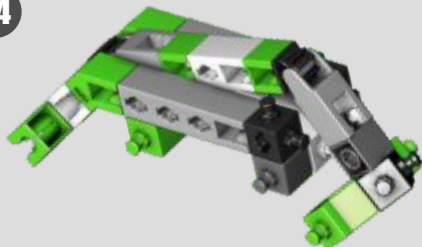


x1

03



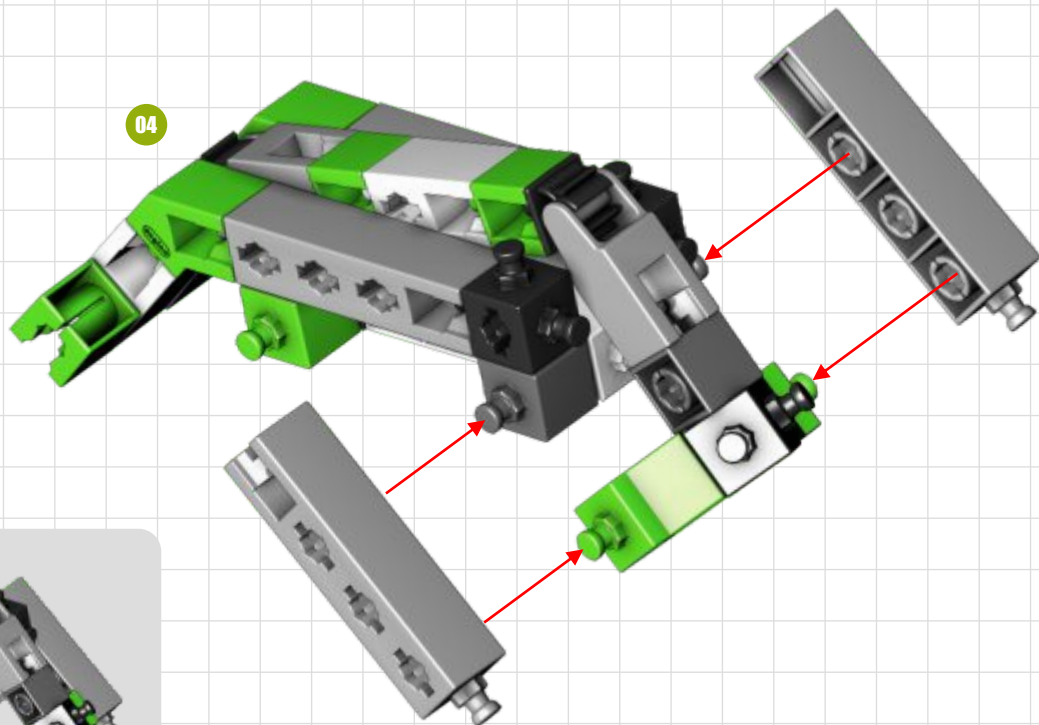
04



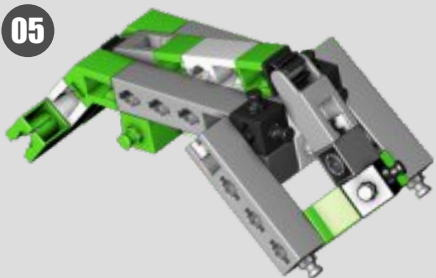


x2

04



05





x2



x4



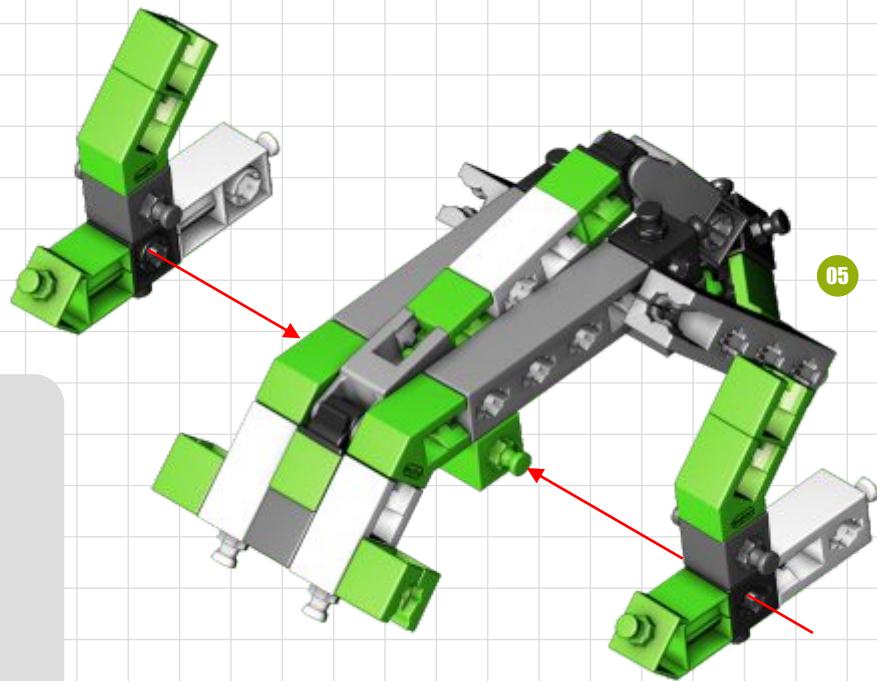
x2



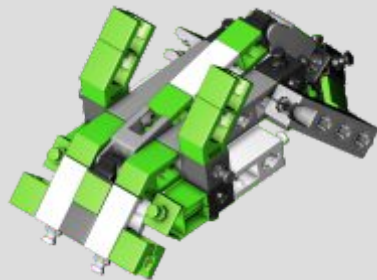
x2



x2



06





x2



x2



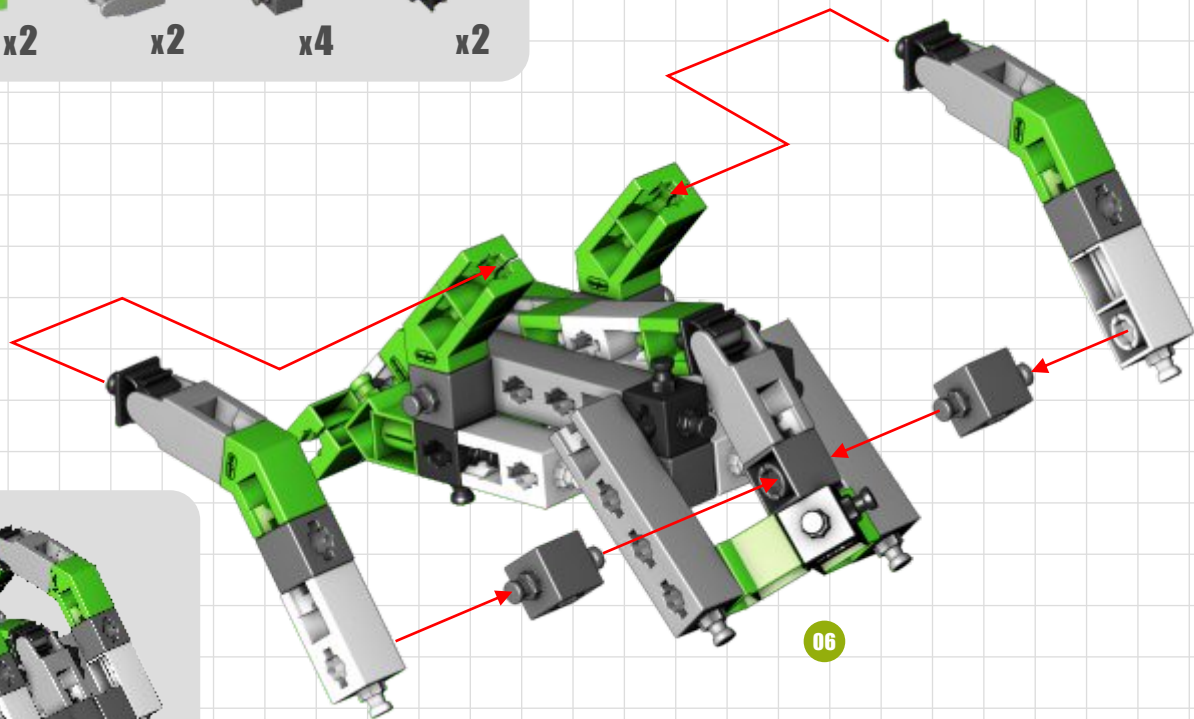
x2



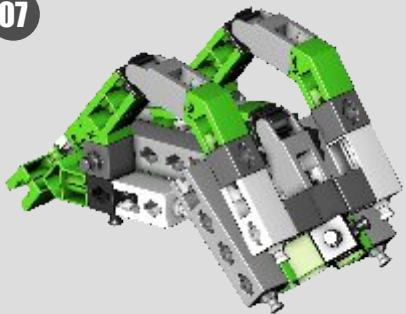
x4



x2



07

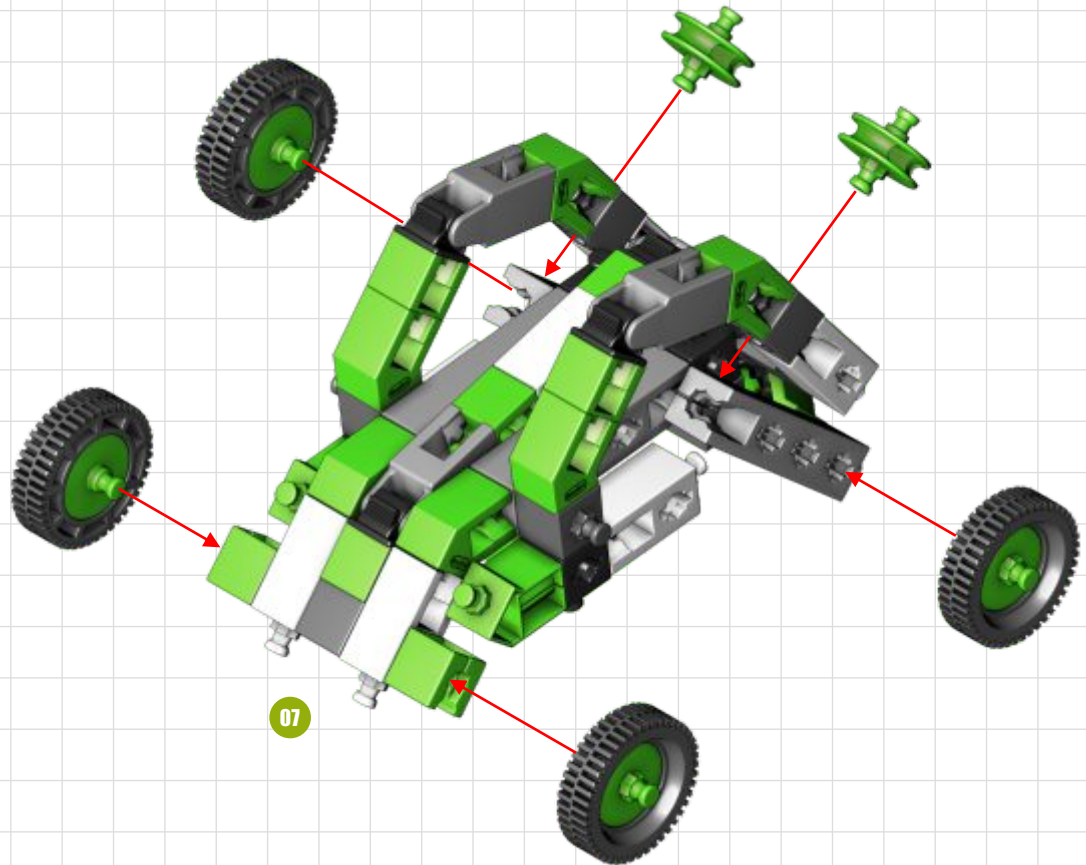




x4



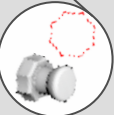
x6

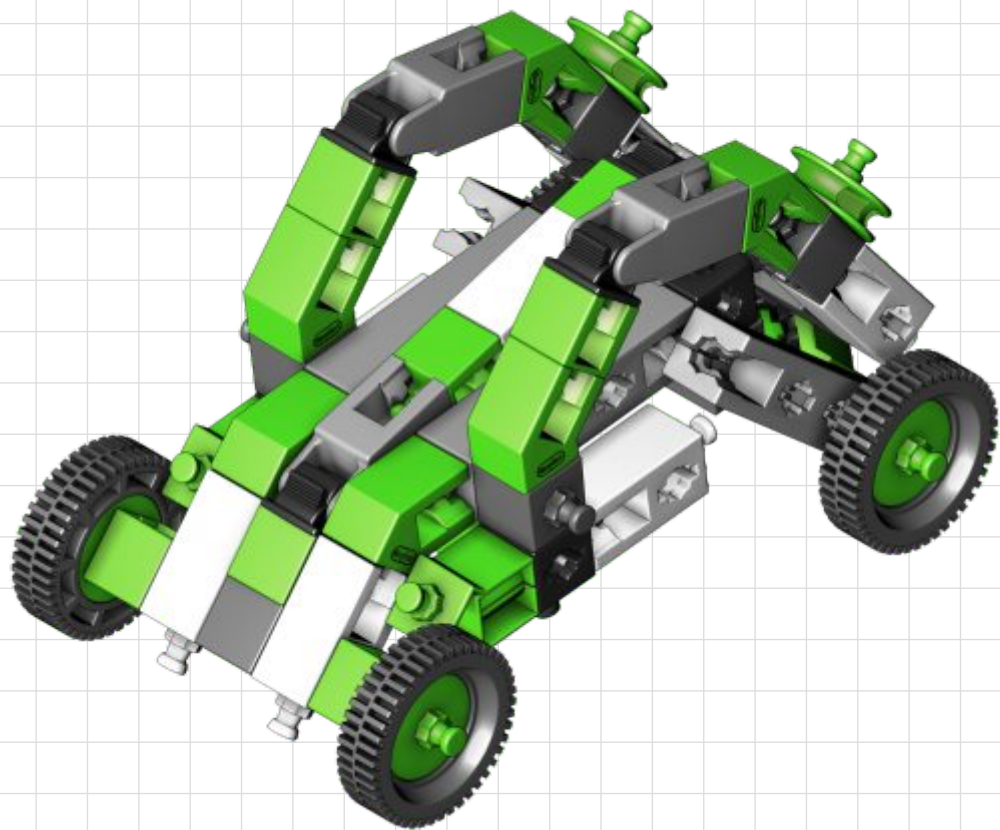


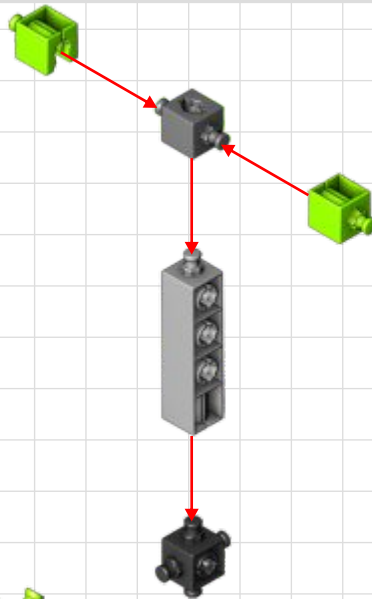
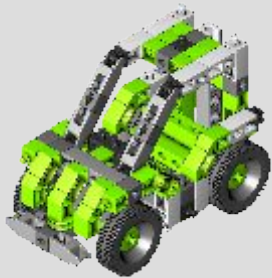
07



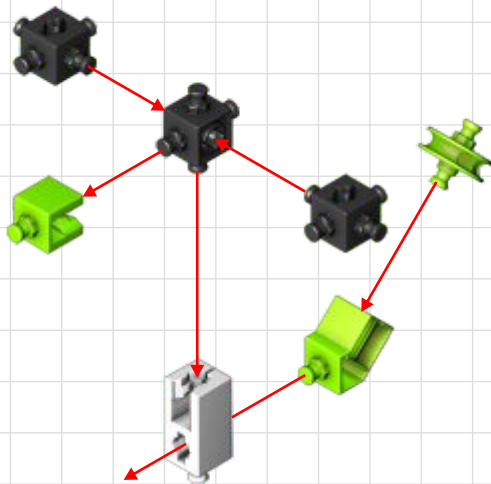
x4







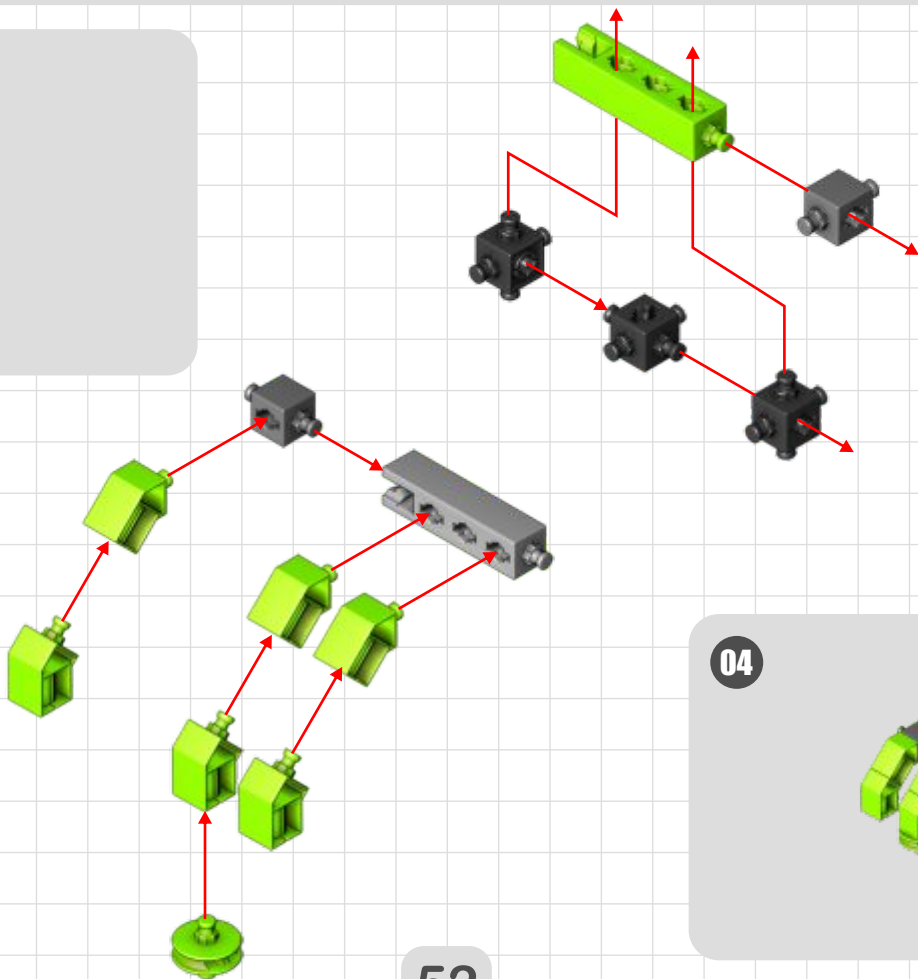
01



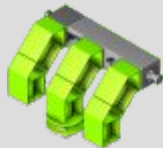
02



03

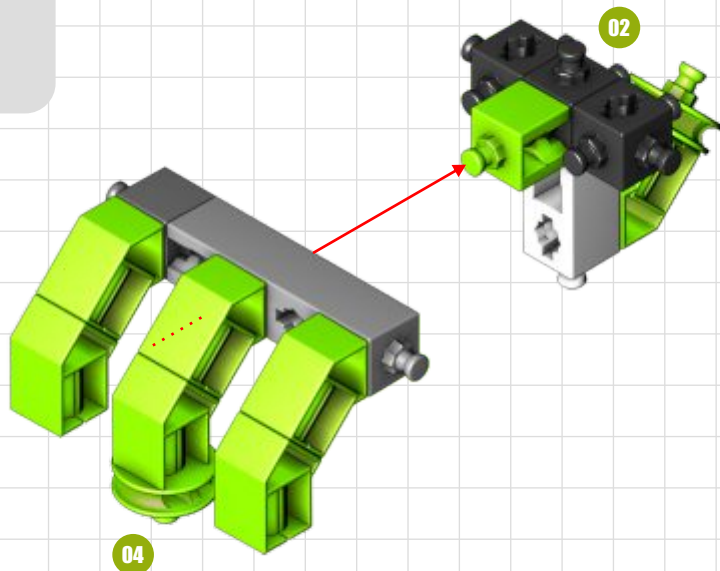
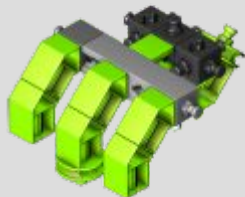


04

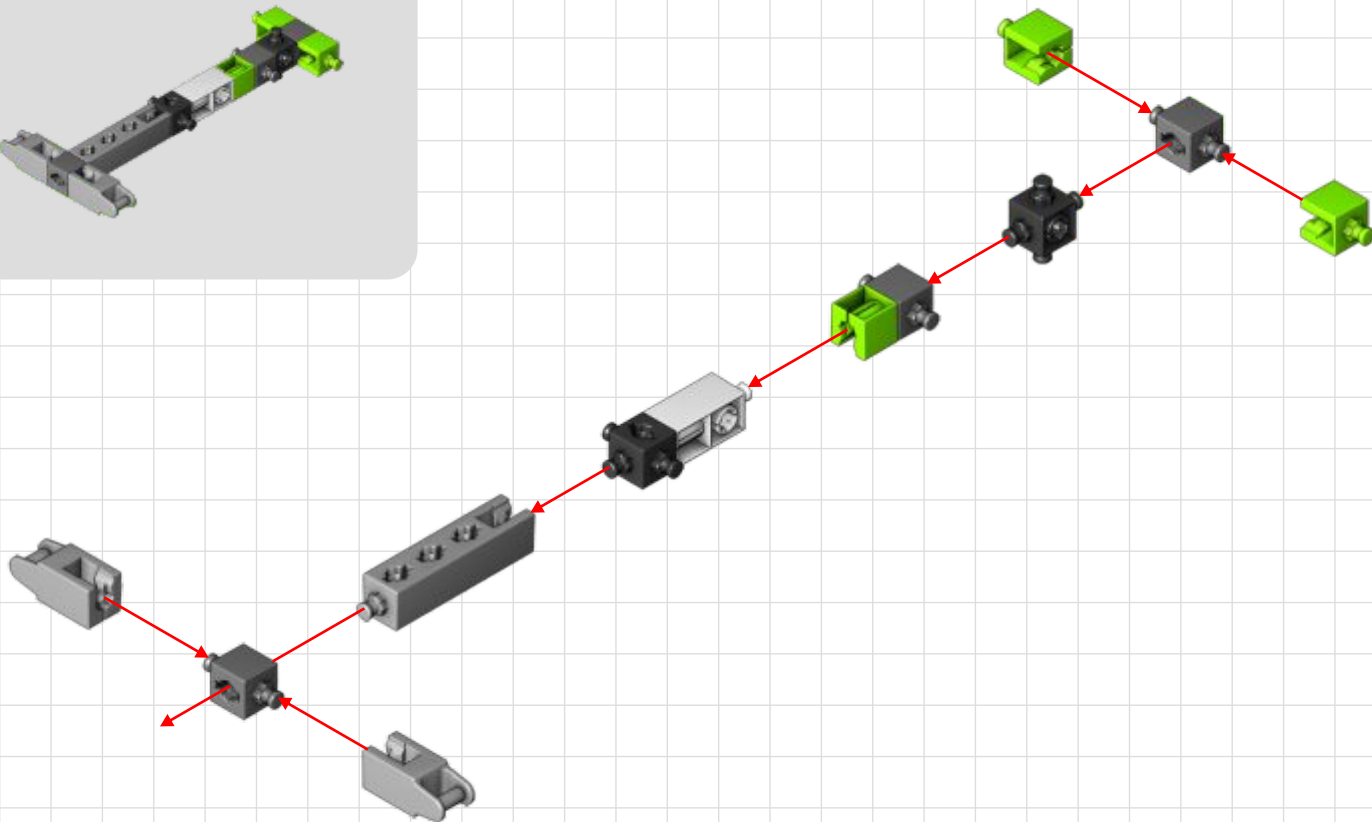
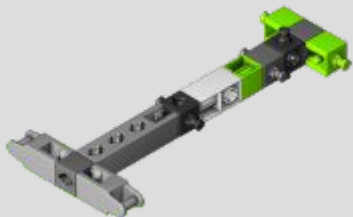




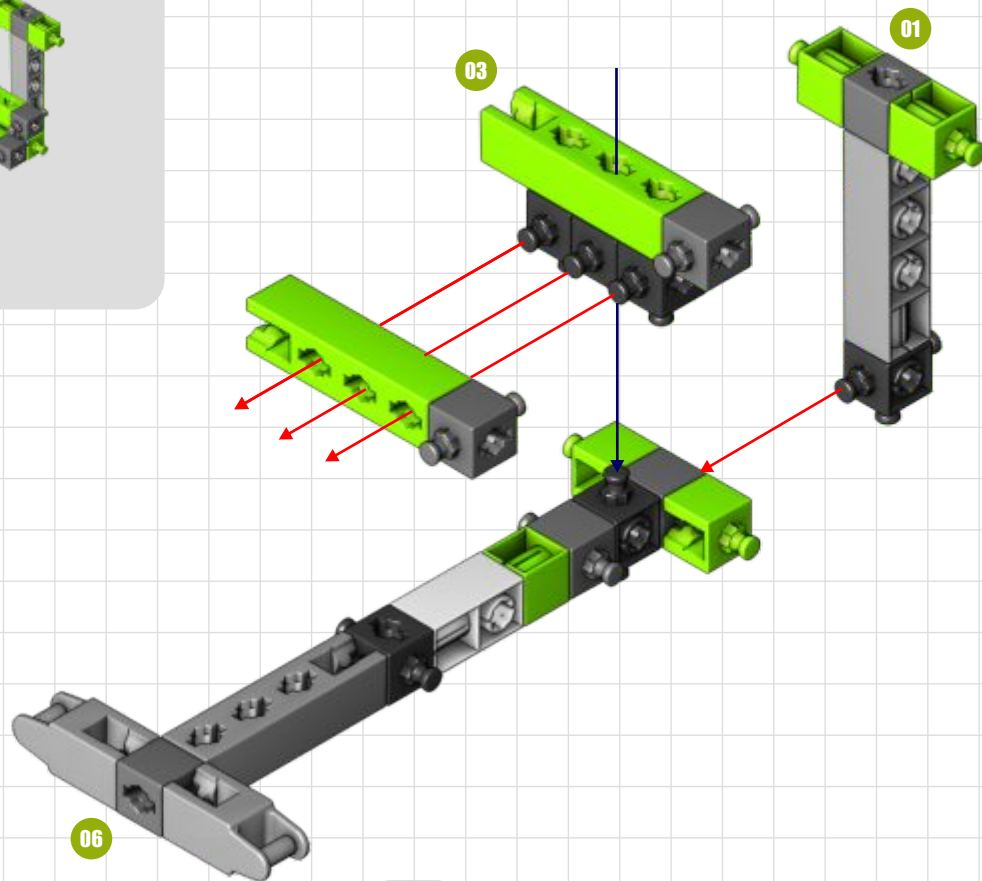
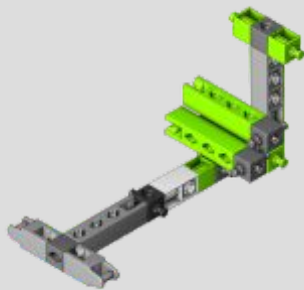
05



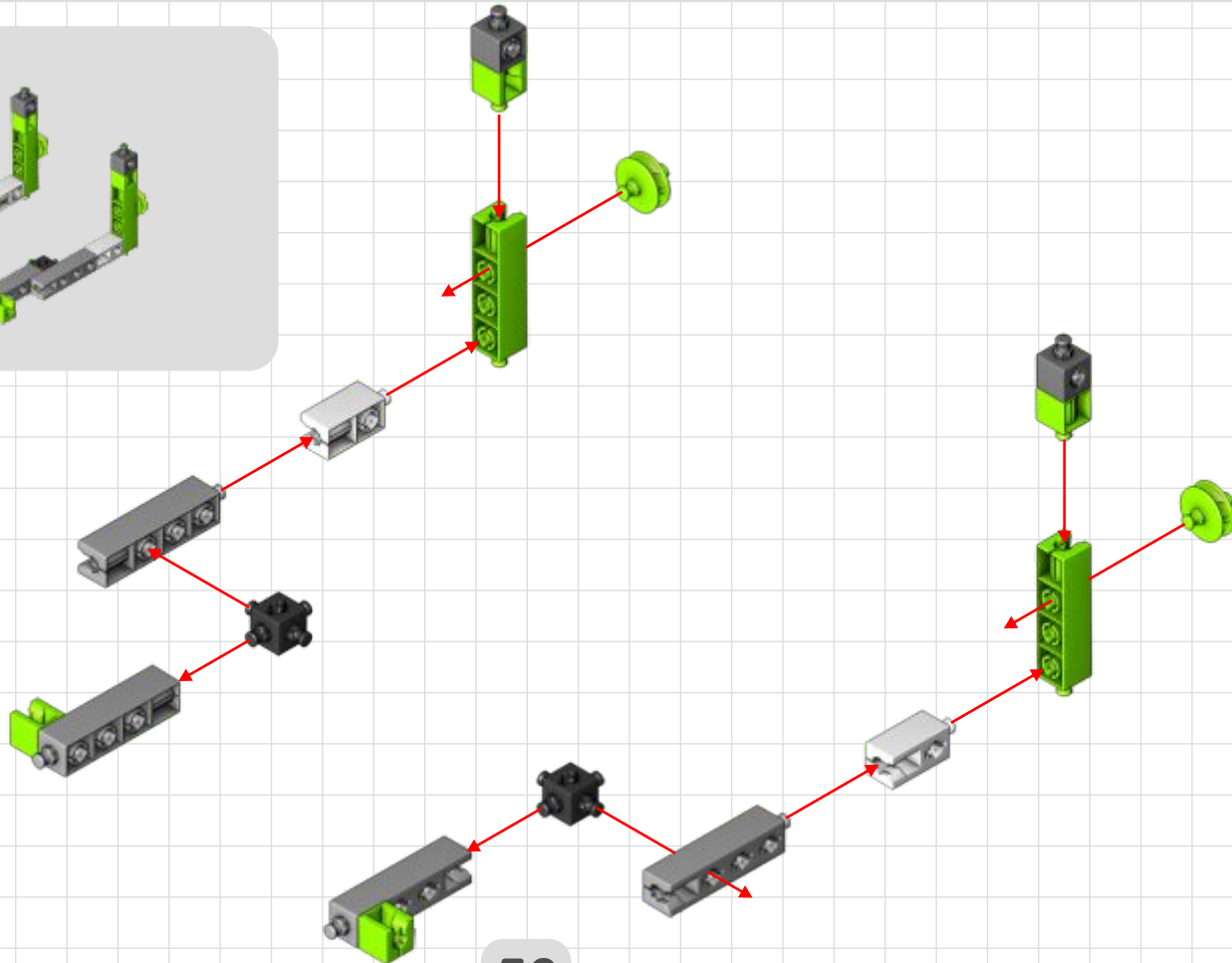
06



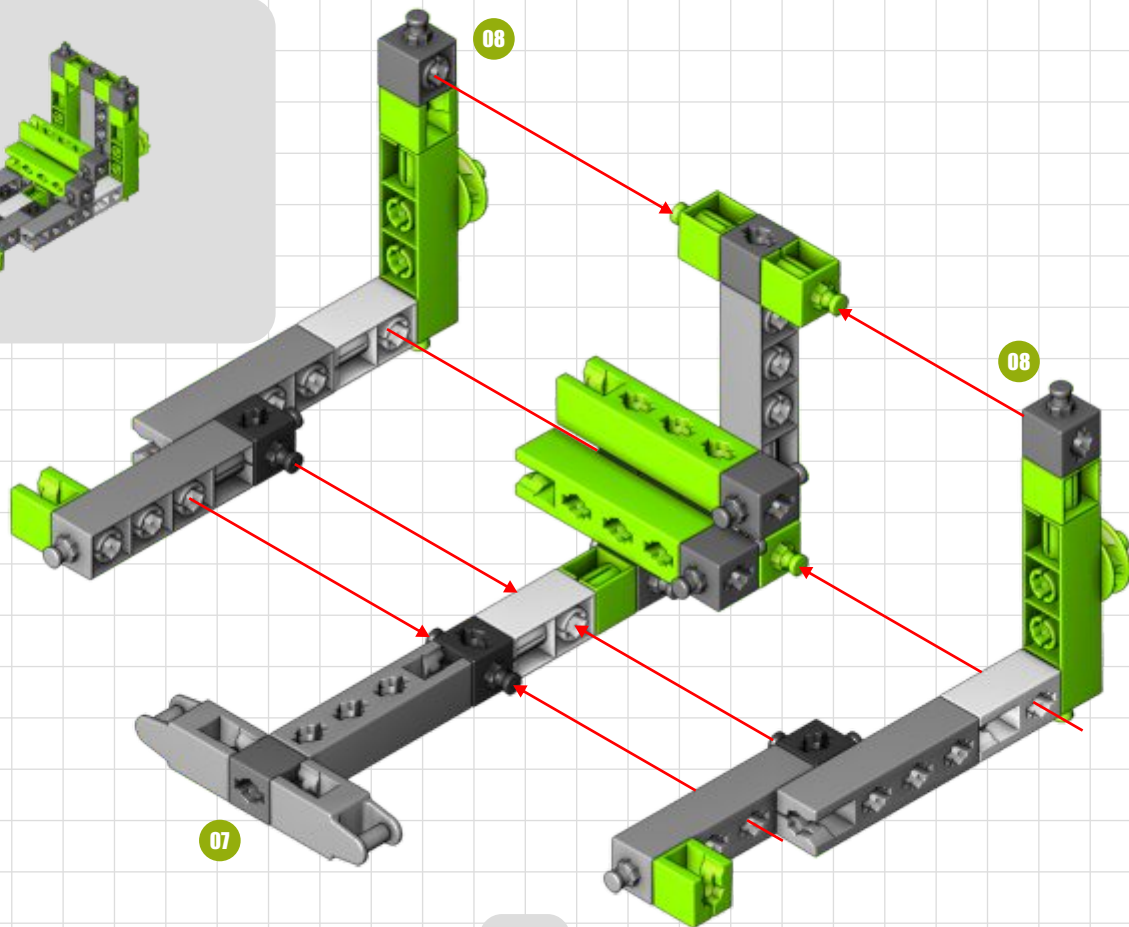
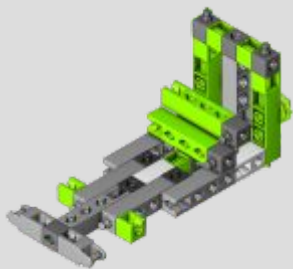
07



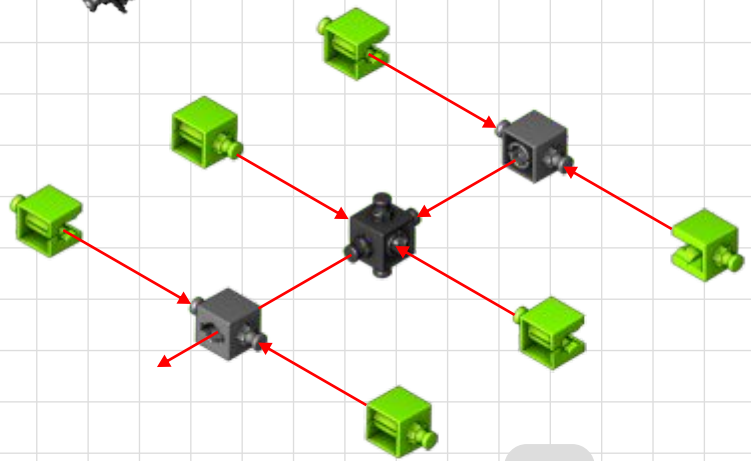
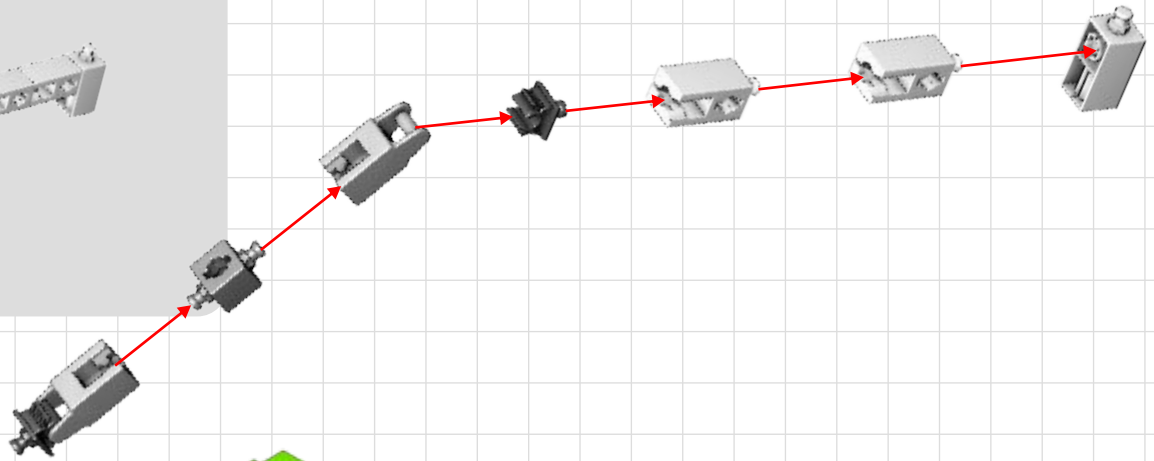
08



09

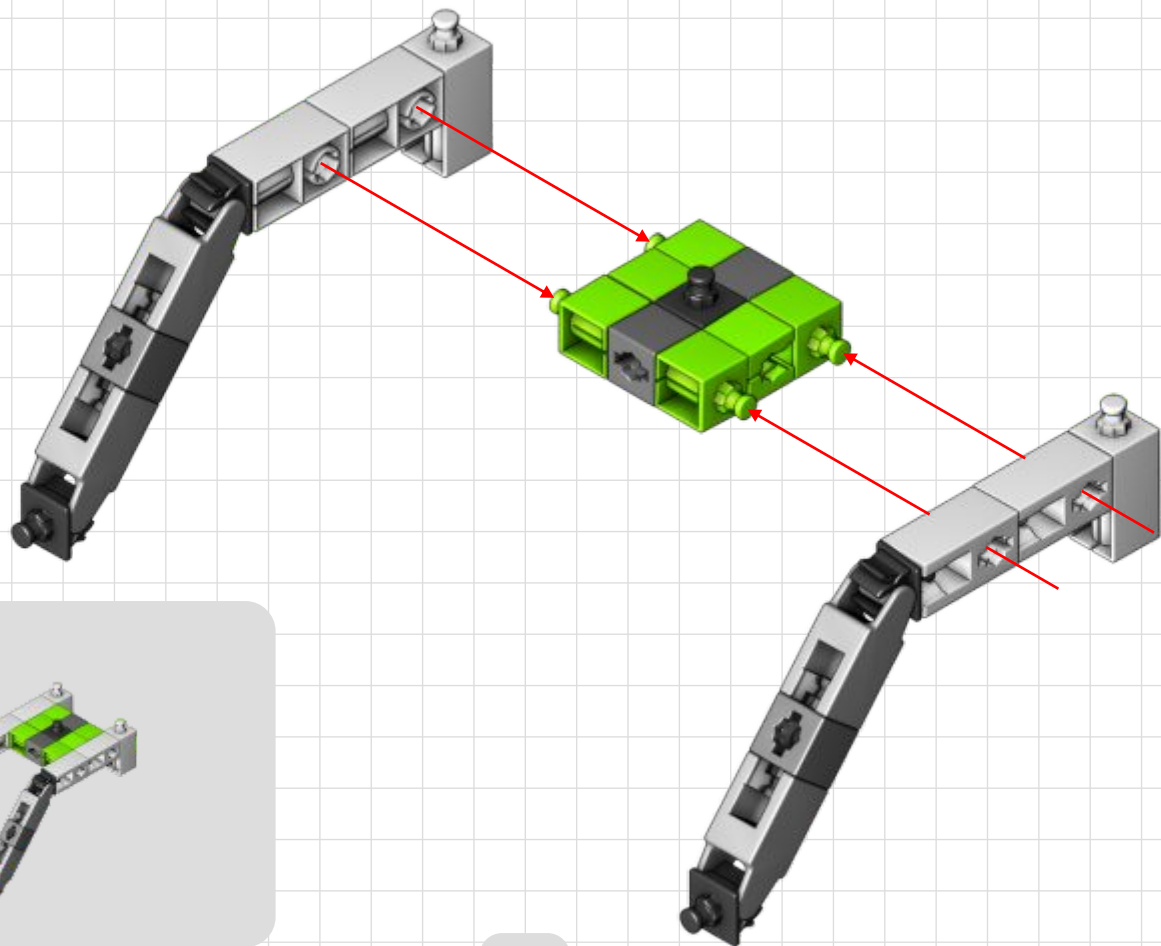


10 x2

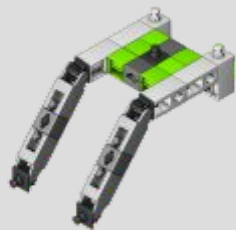


11

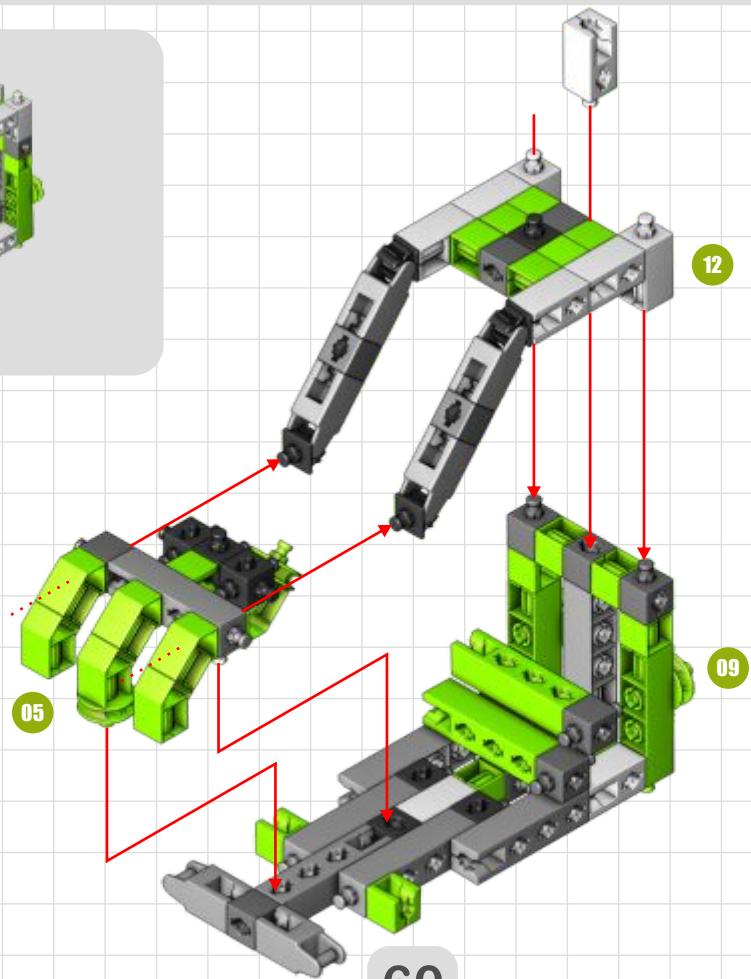
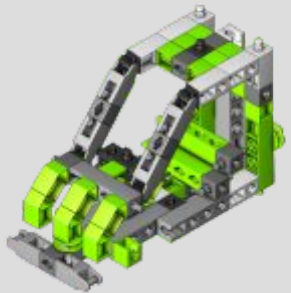




12



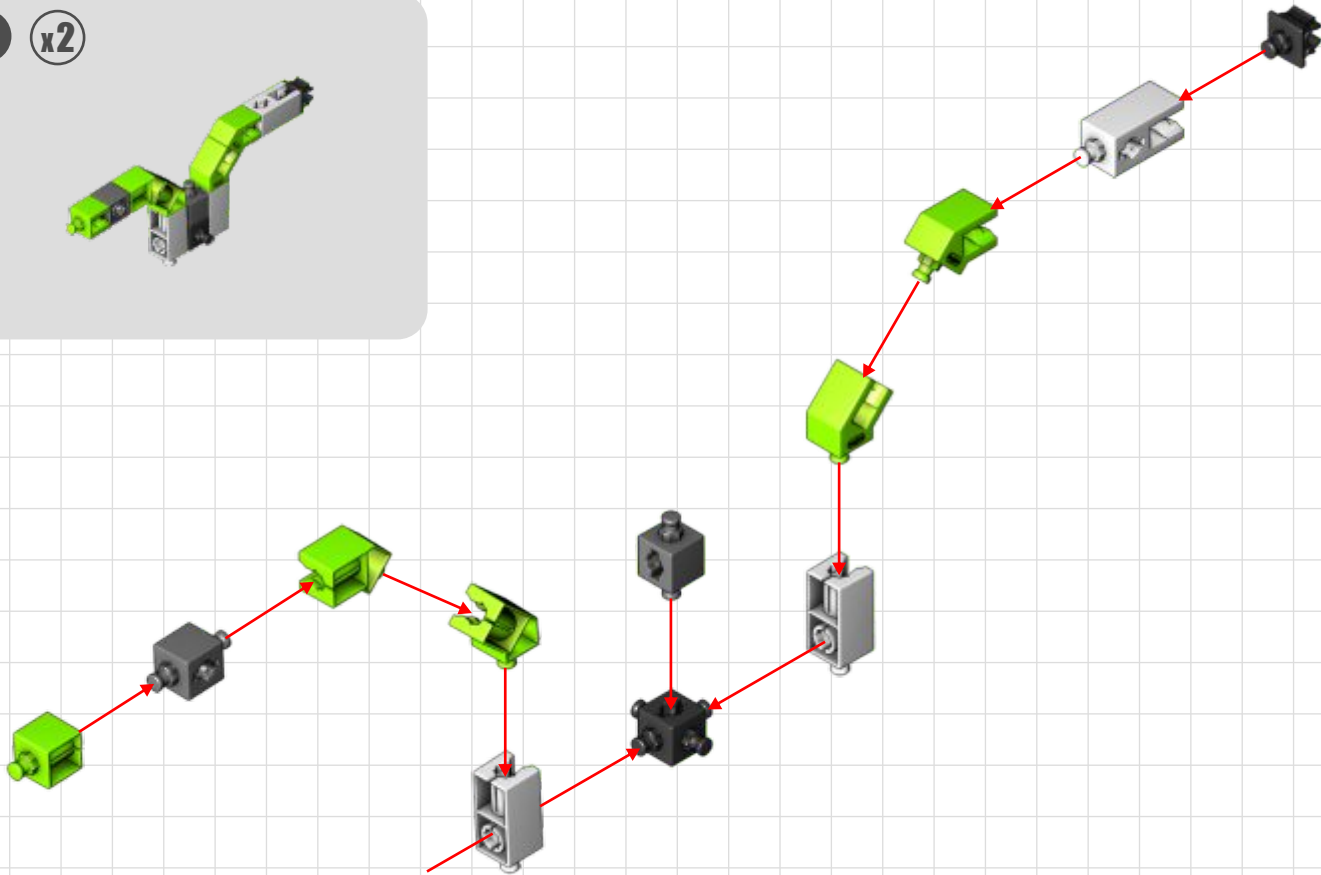
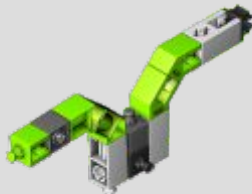
13



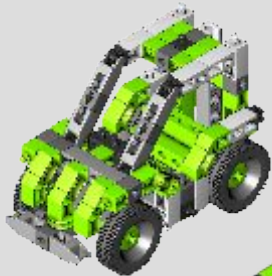


14

x2



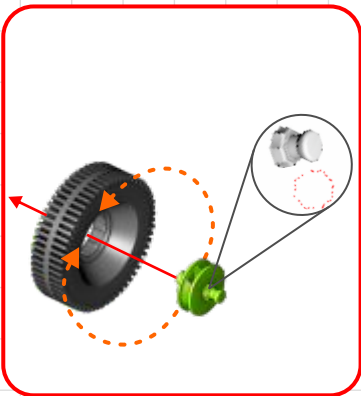
15

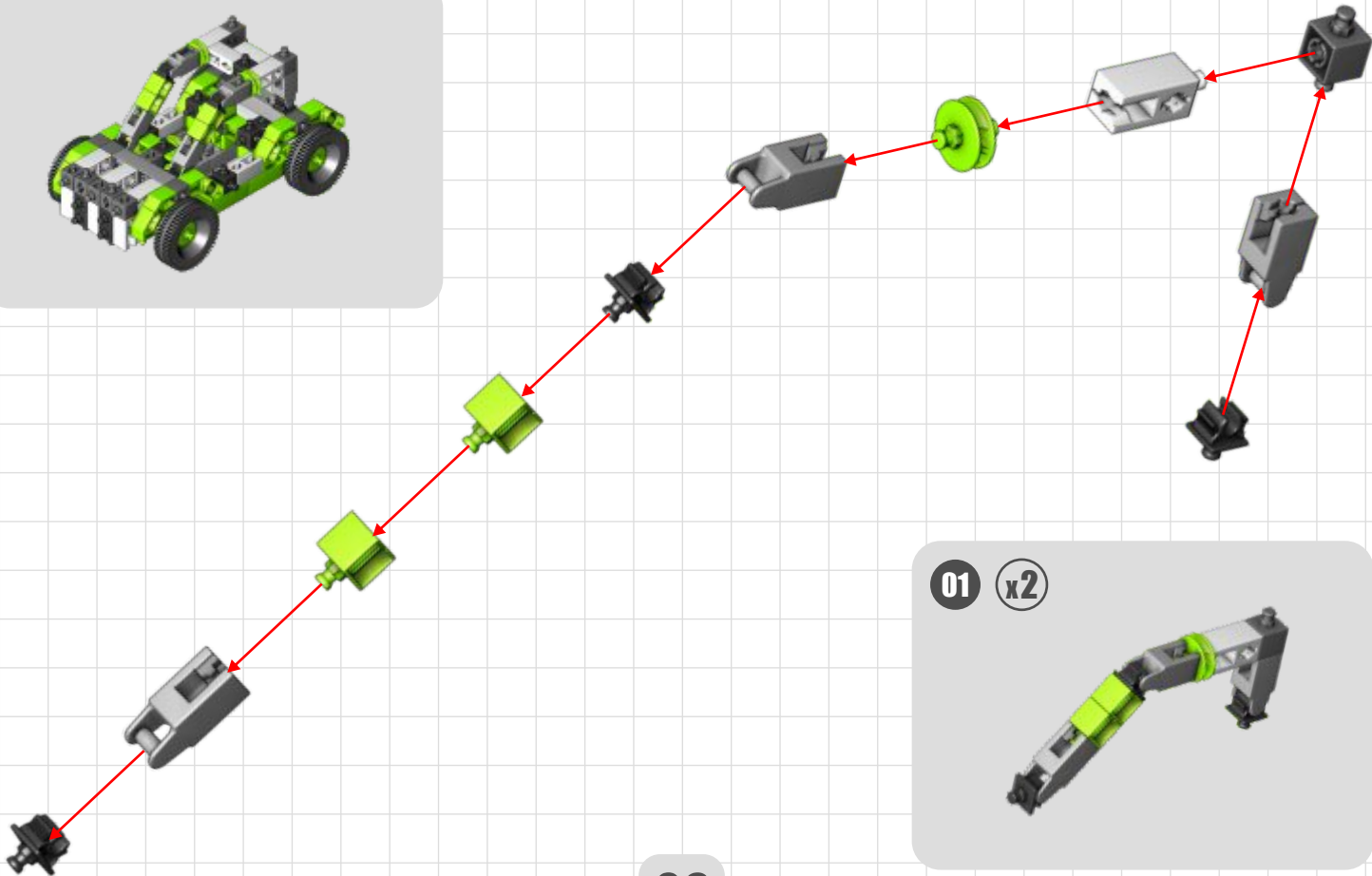


14

13

14

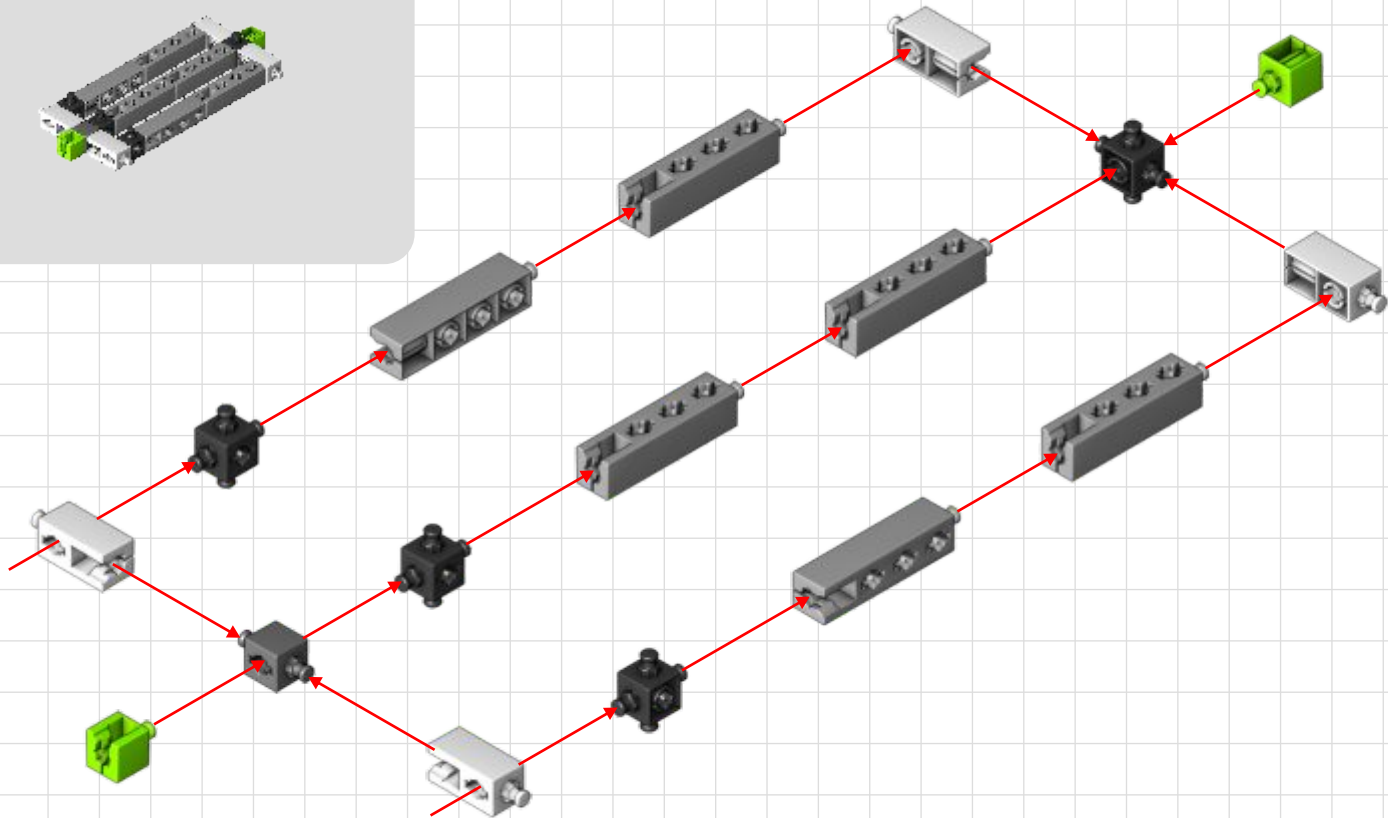




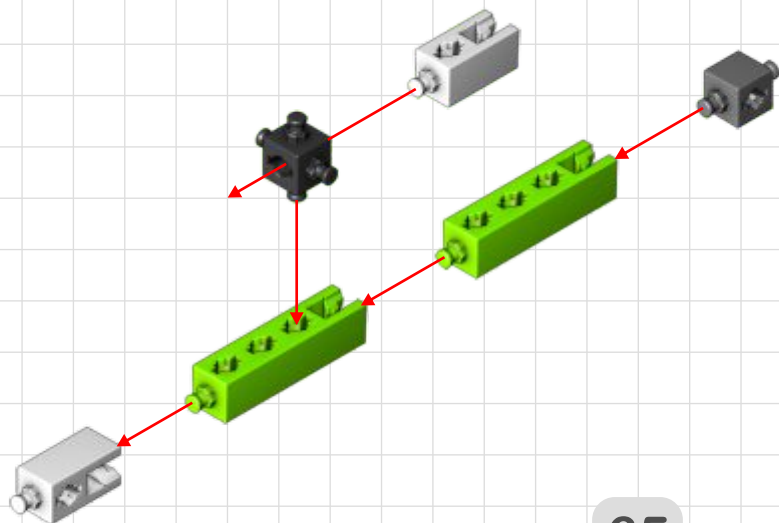
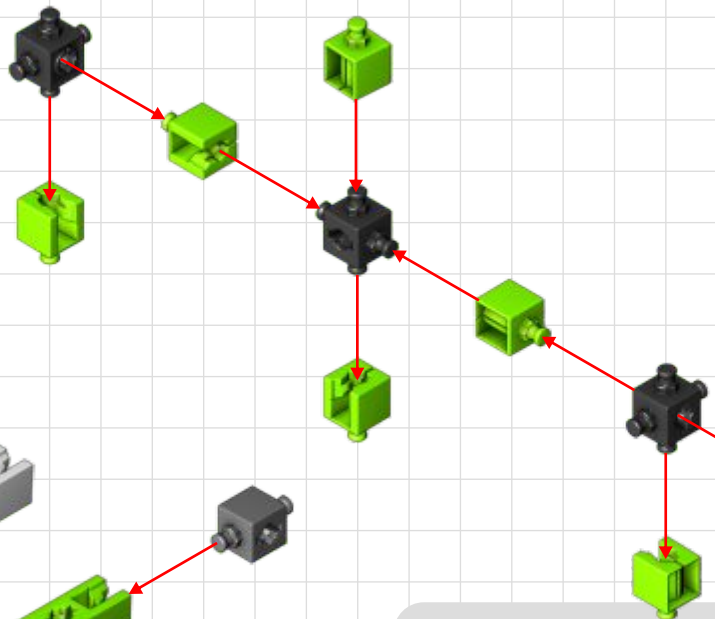
01 x2



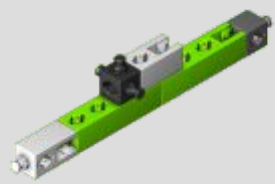
02



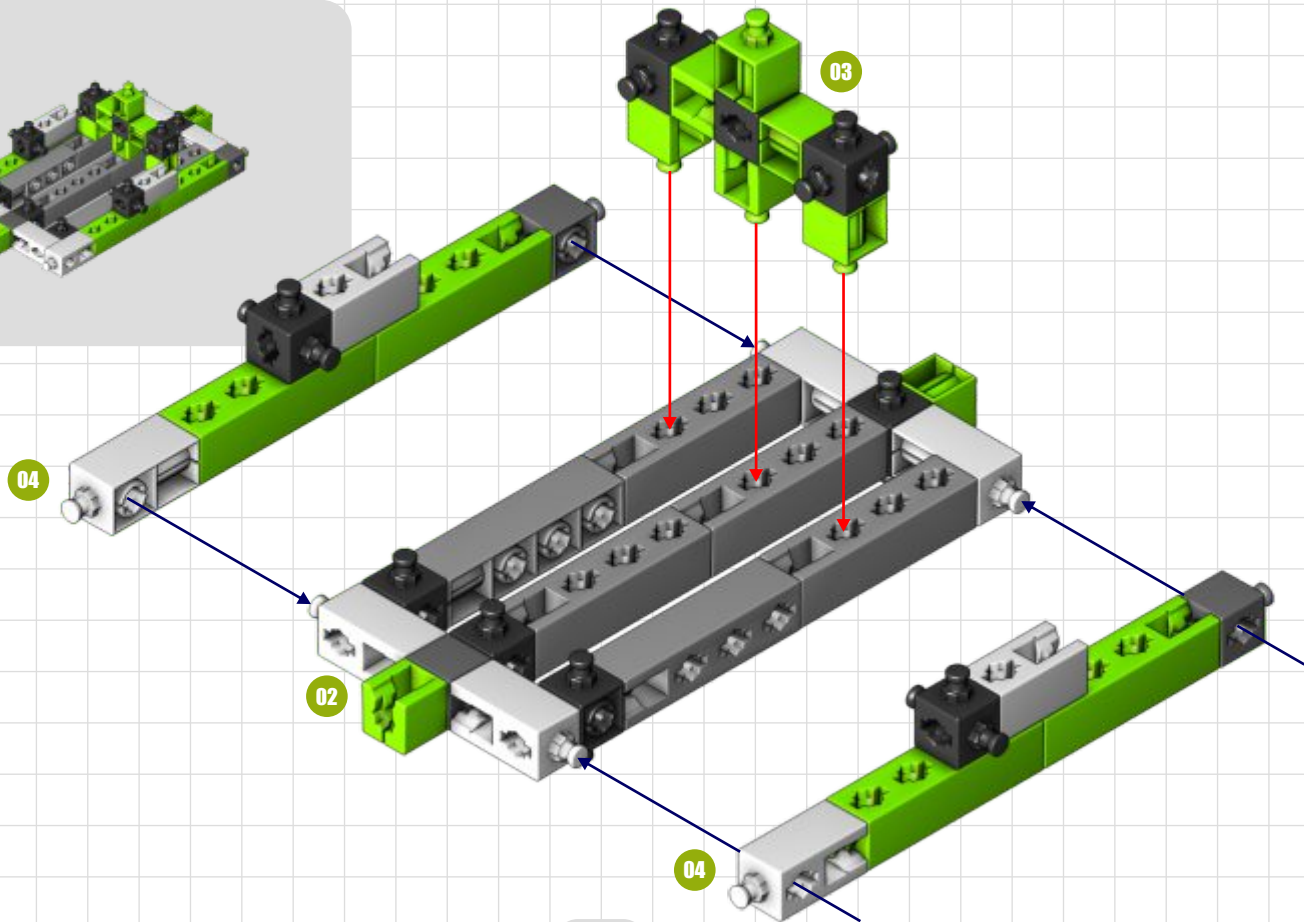
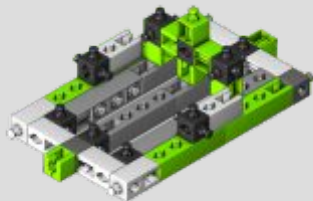
03



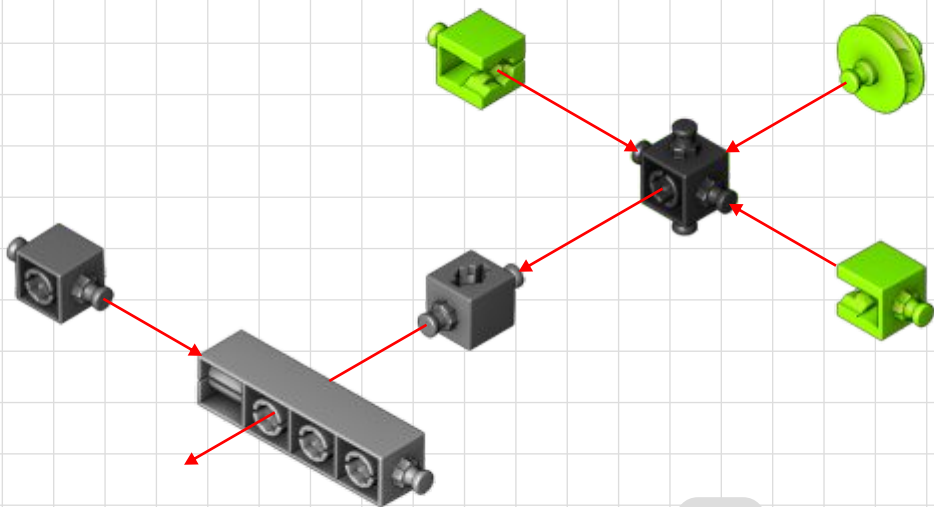
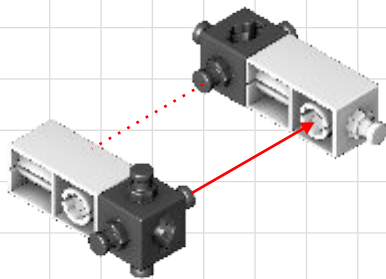
04 x2



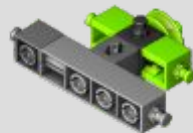
05

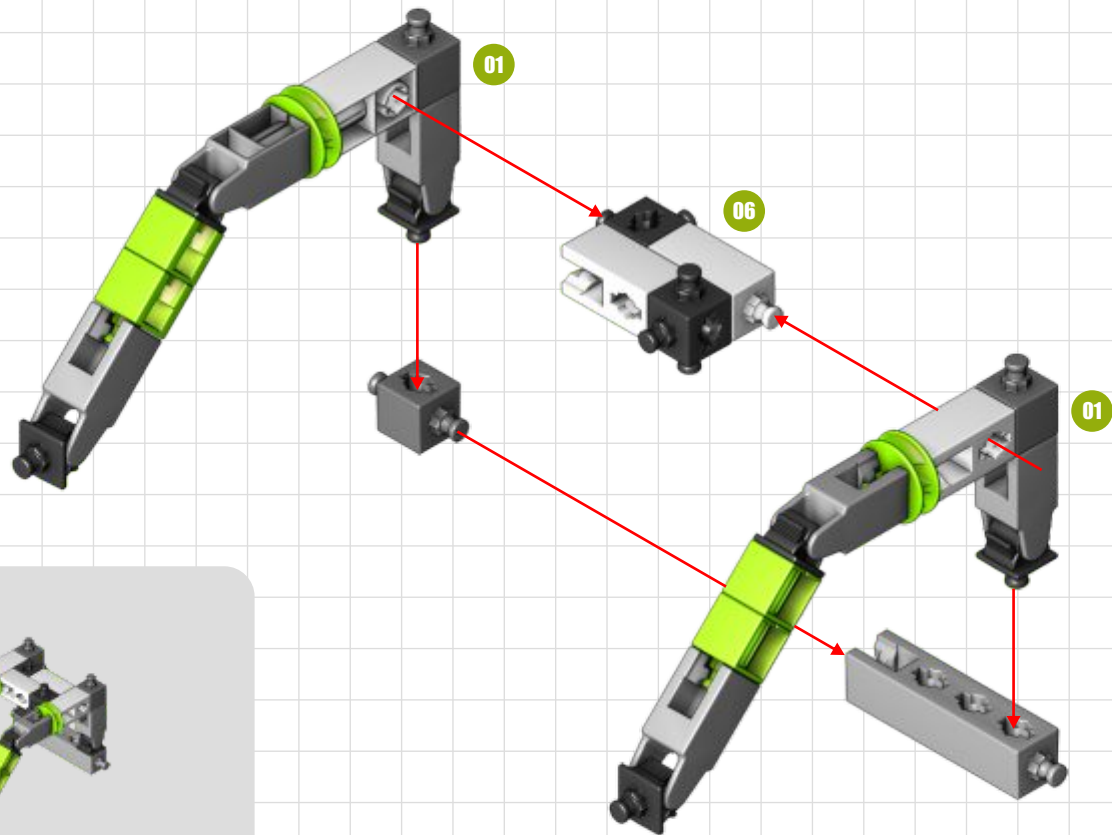


06

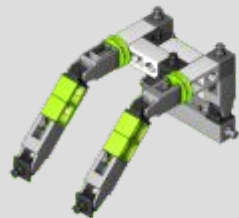


07

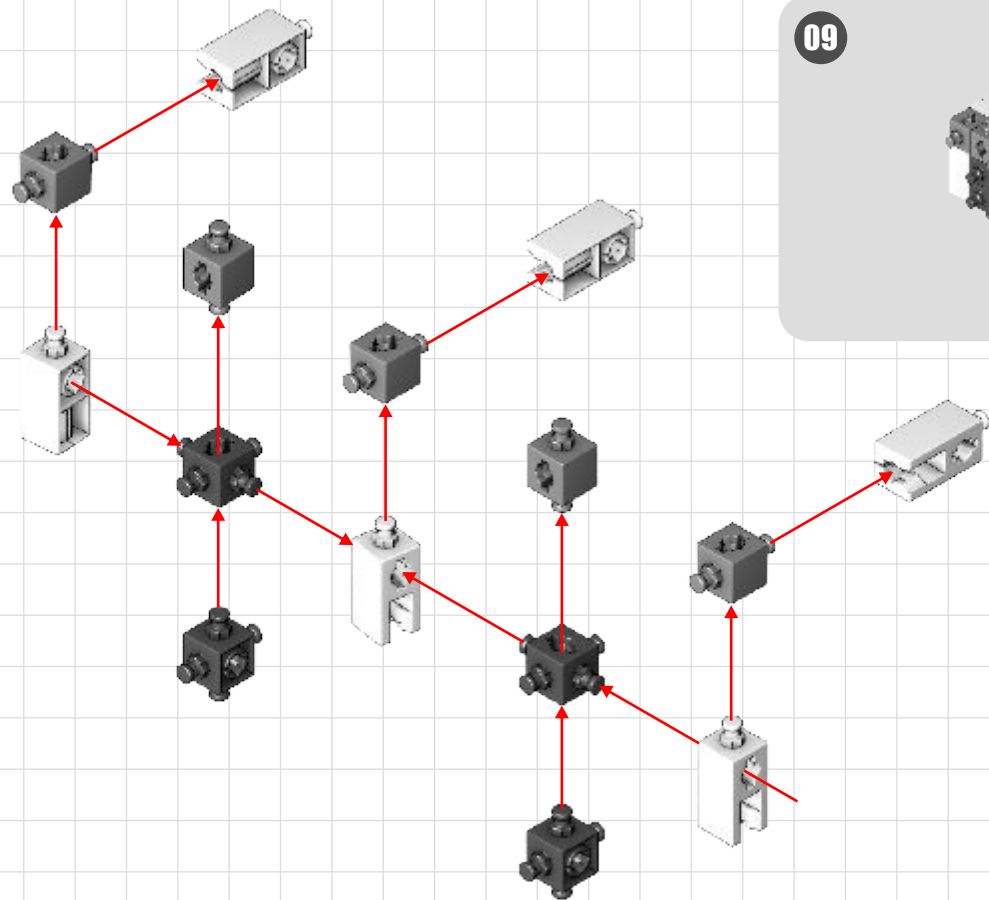




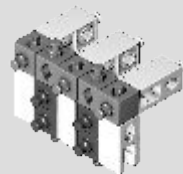
08



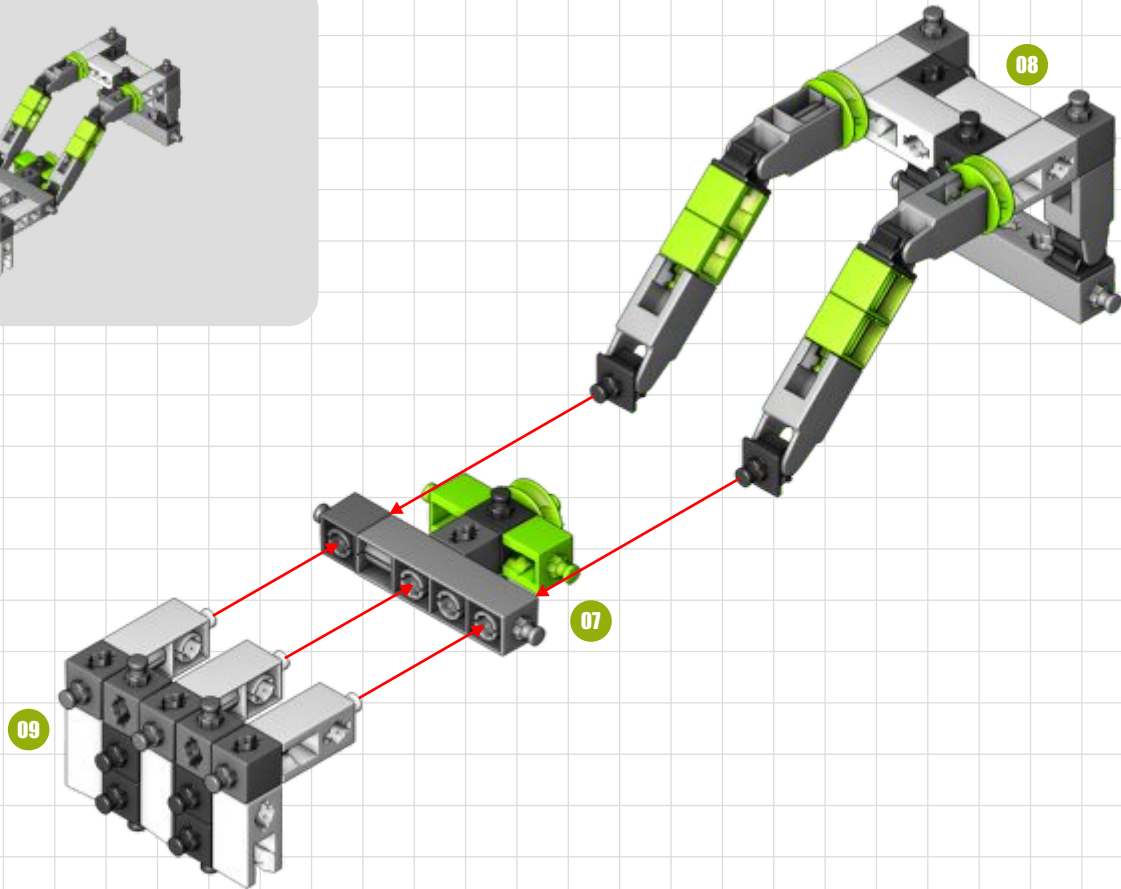




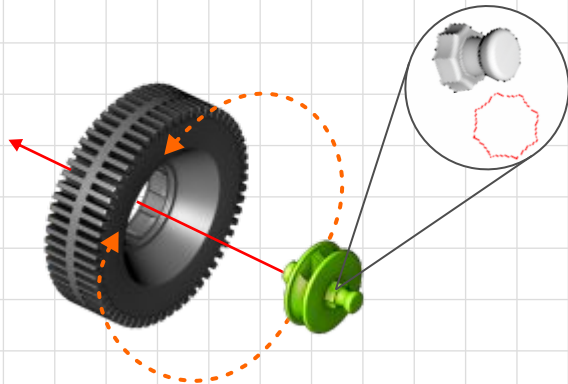
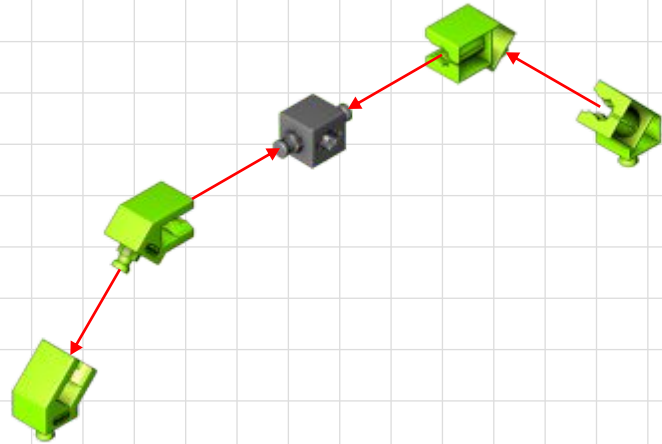
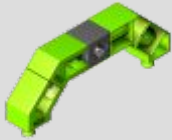
09



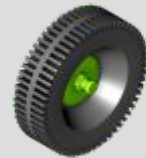
10



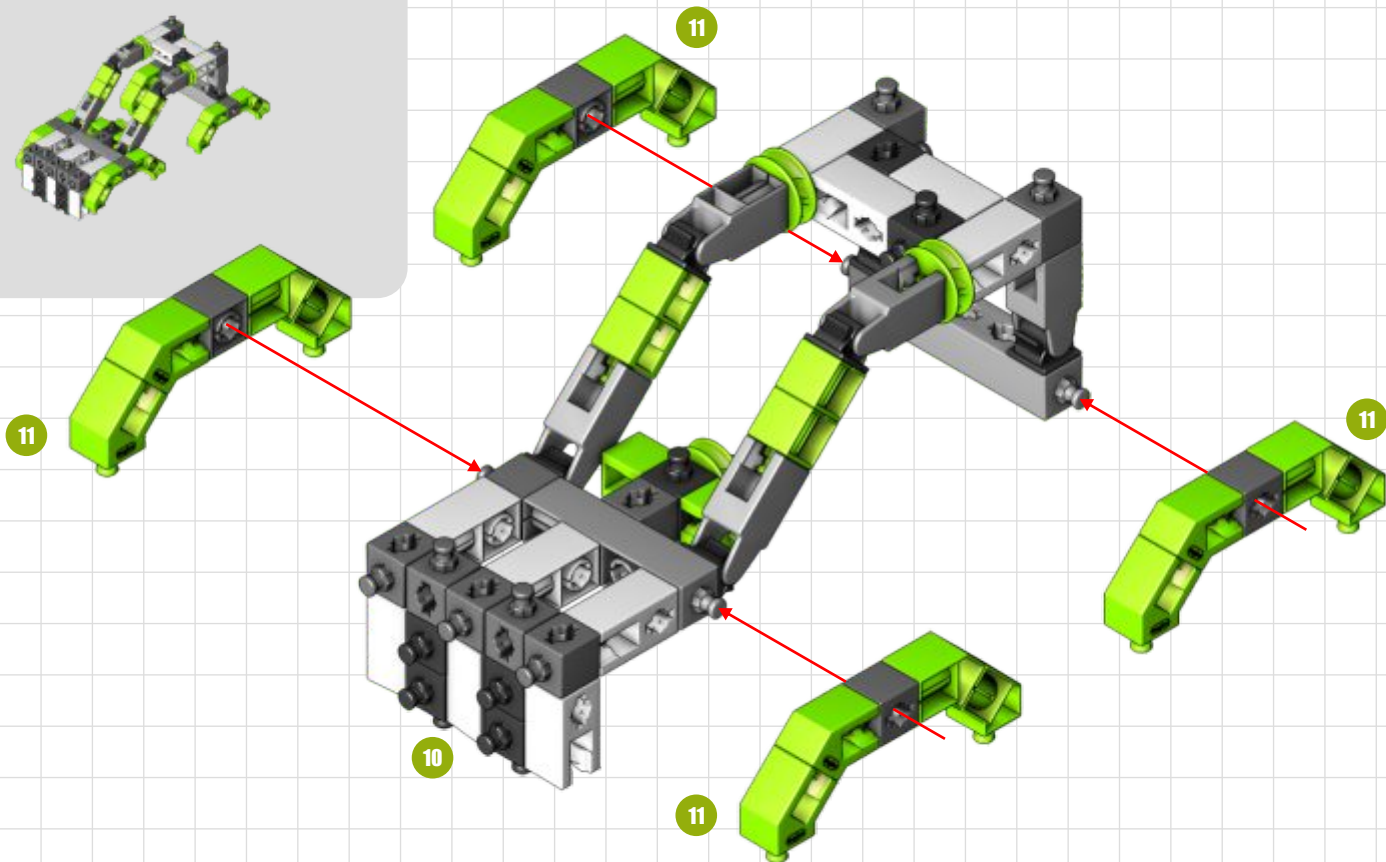
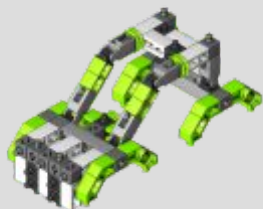
11 x4

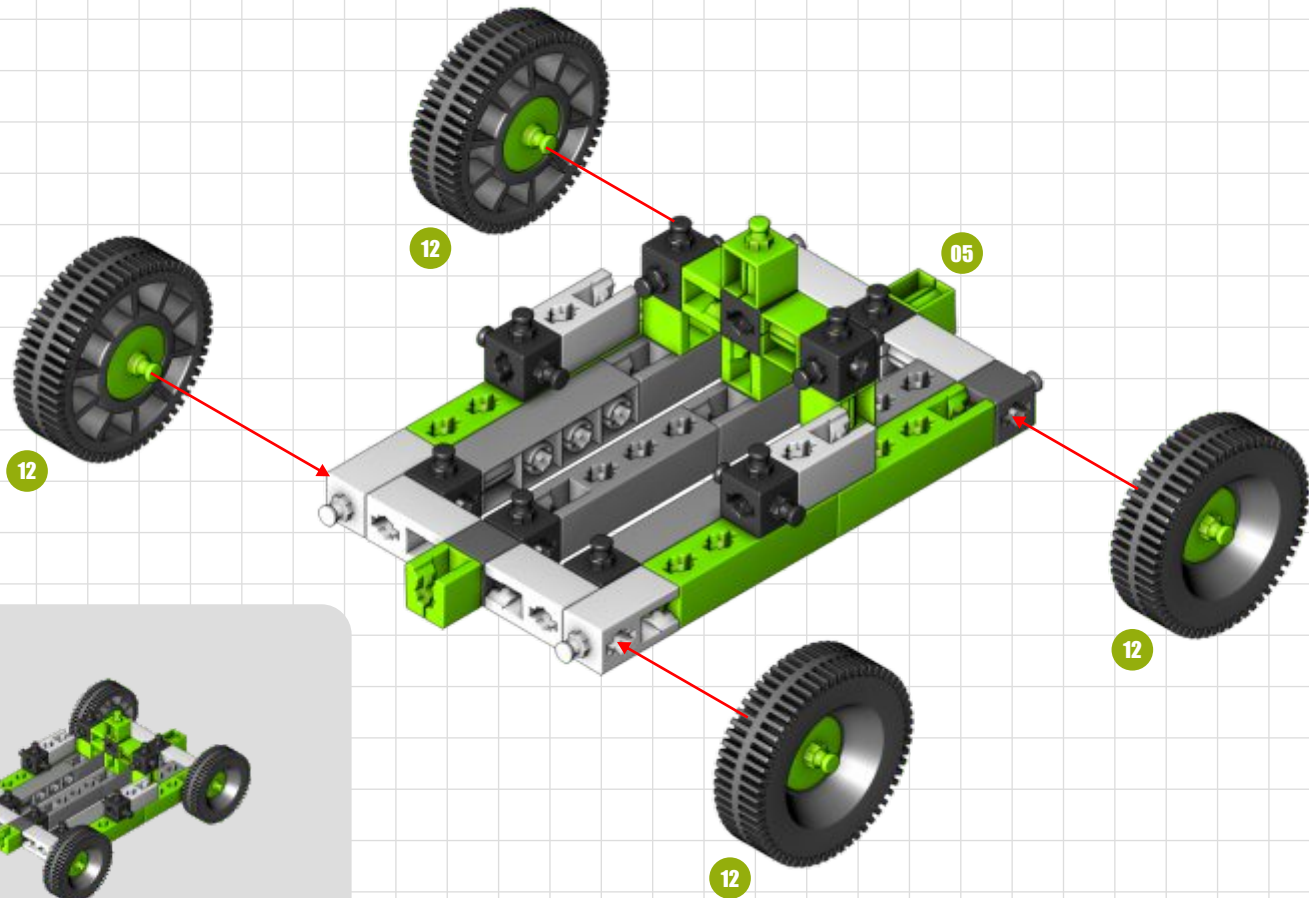


12 x4

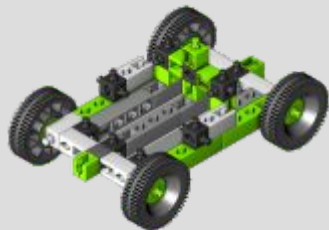


13

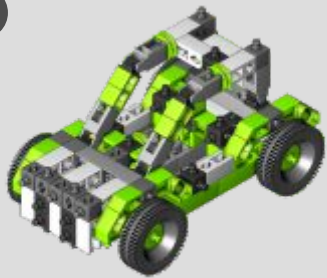




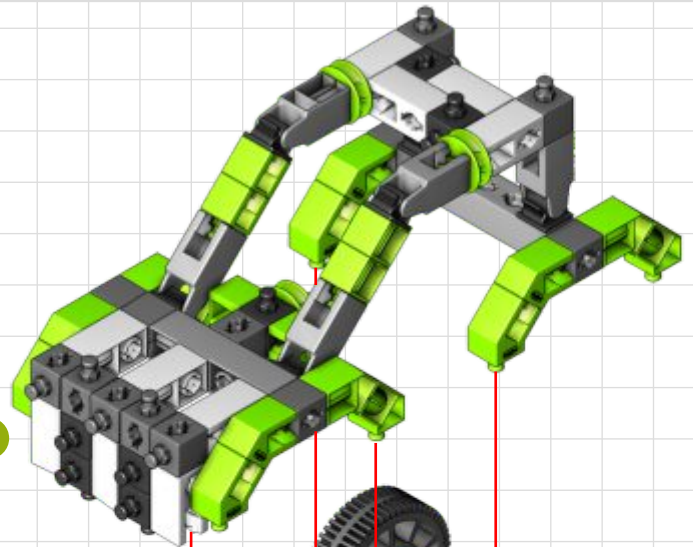
14



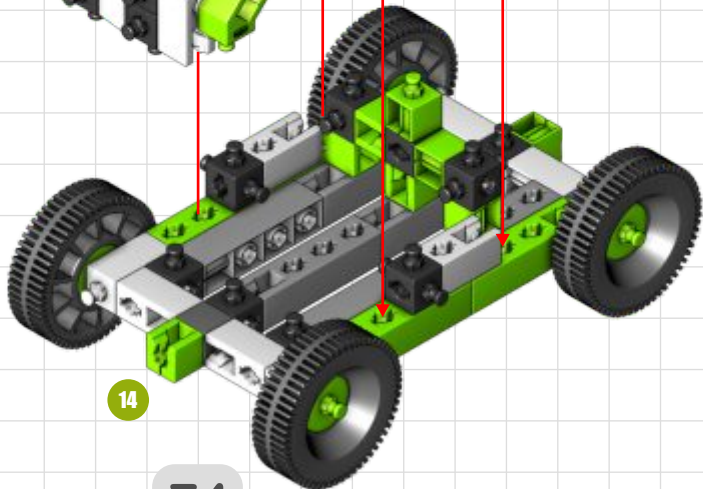
15



13

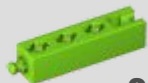


14





x2



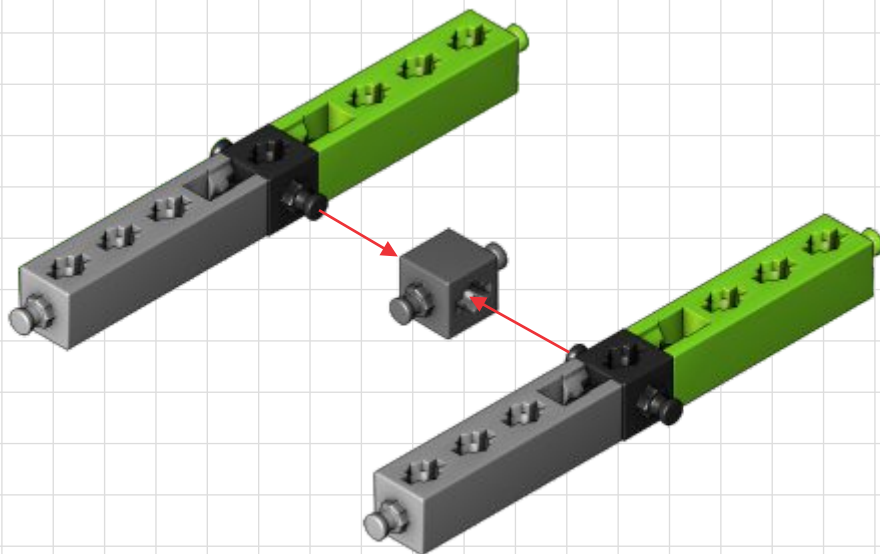
x2



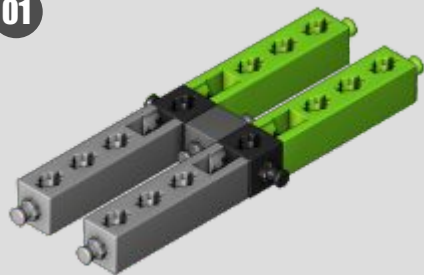
x1



x2



01





x2



x4



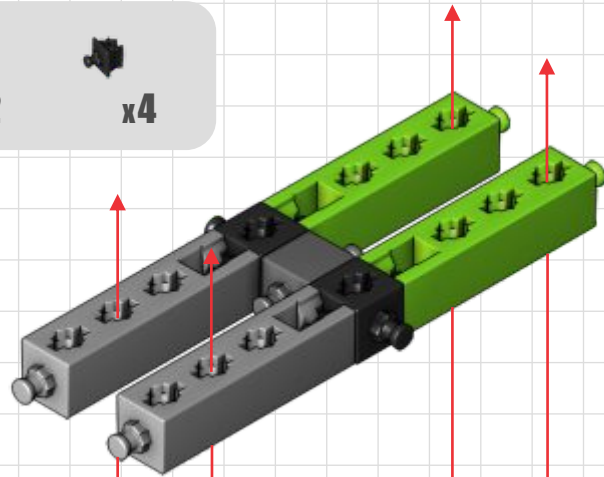
x6



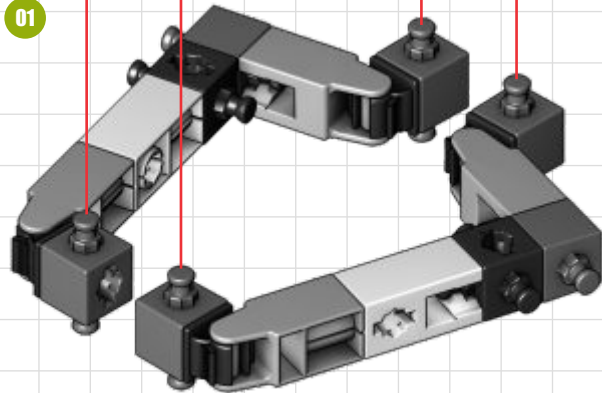
x2



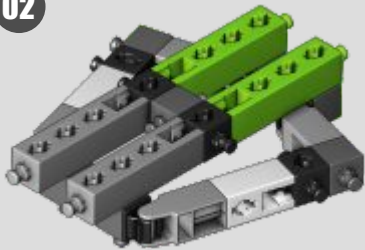
x4



01



02







x3



x3



x1

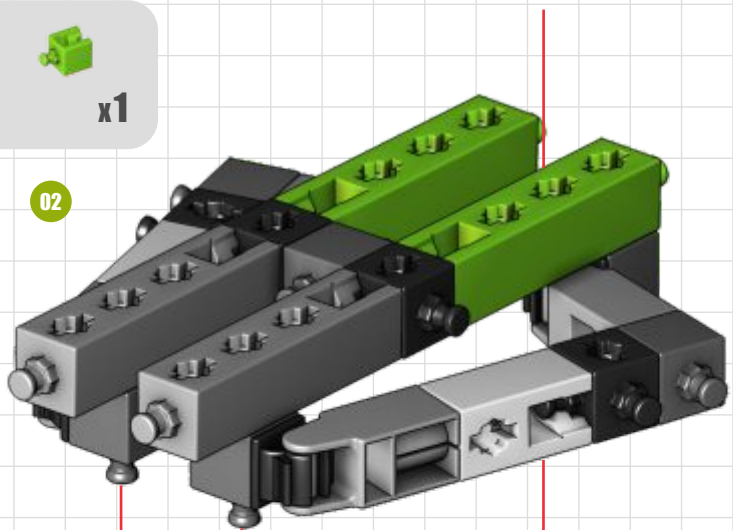


x1

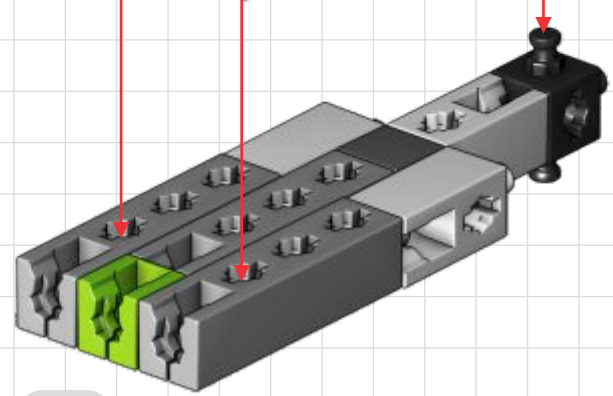
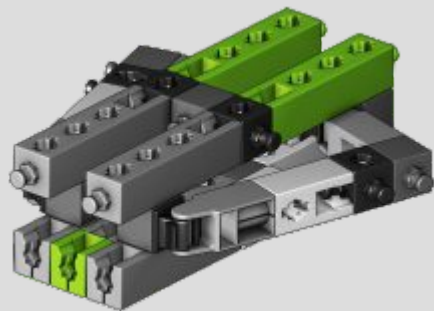


x1

02



03





x5



x2



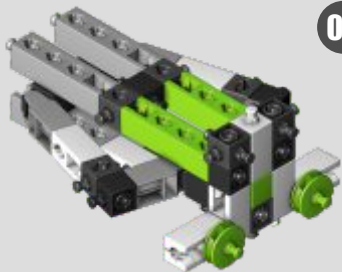
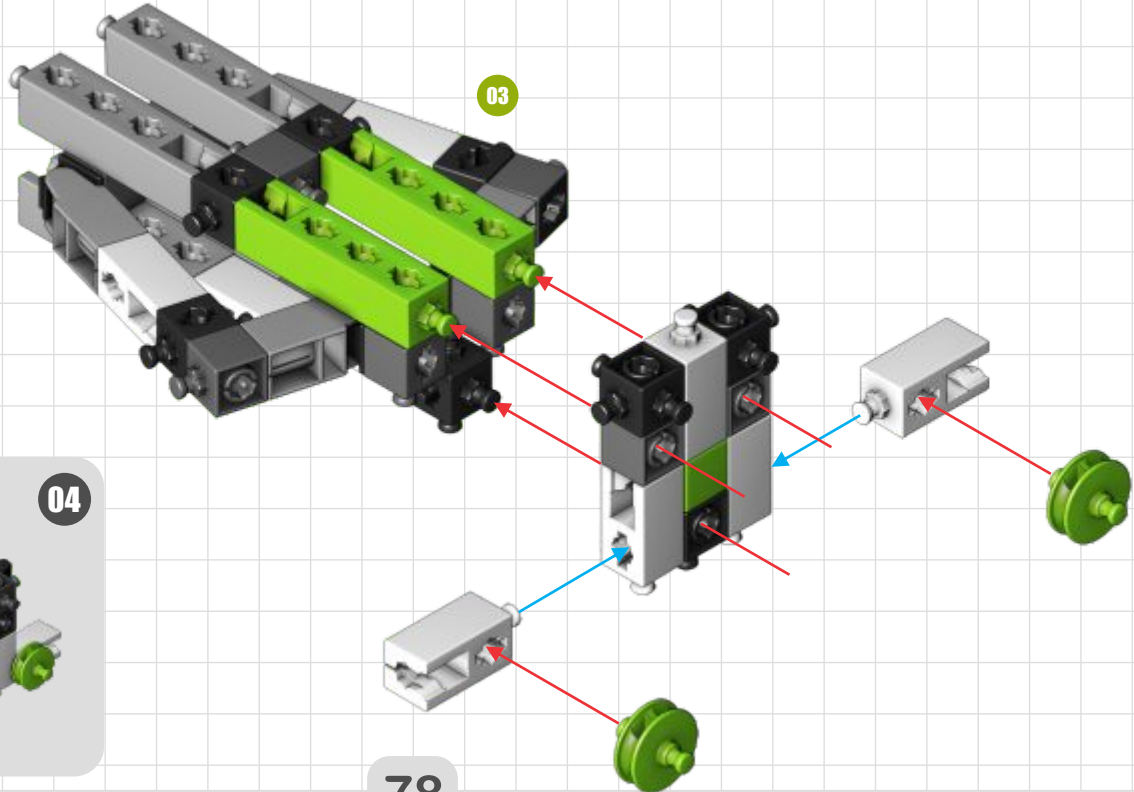
x3



x1



x2





x2



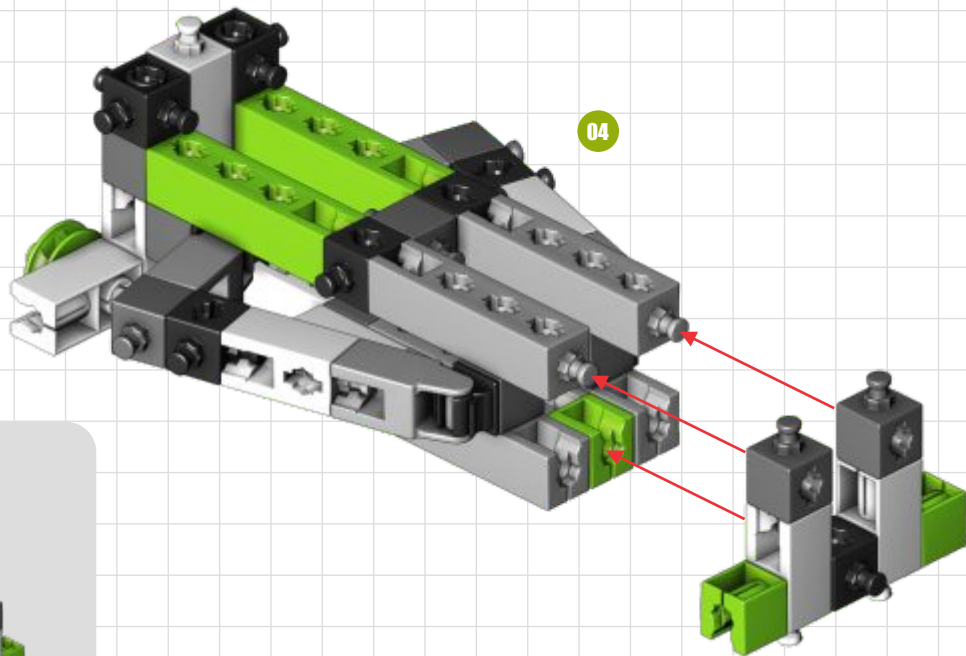
x2



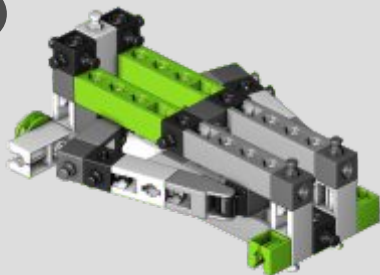
x1

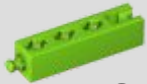


x2



05





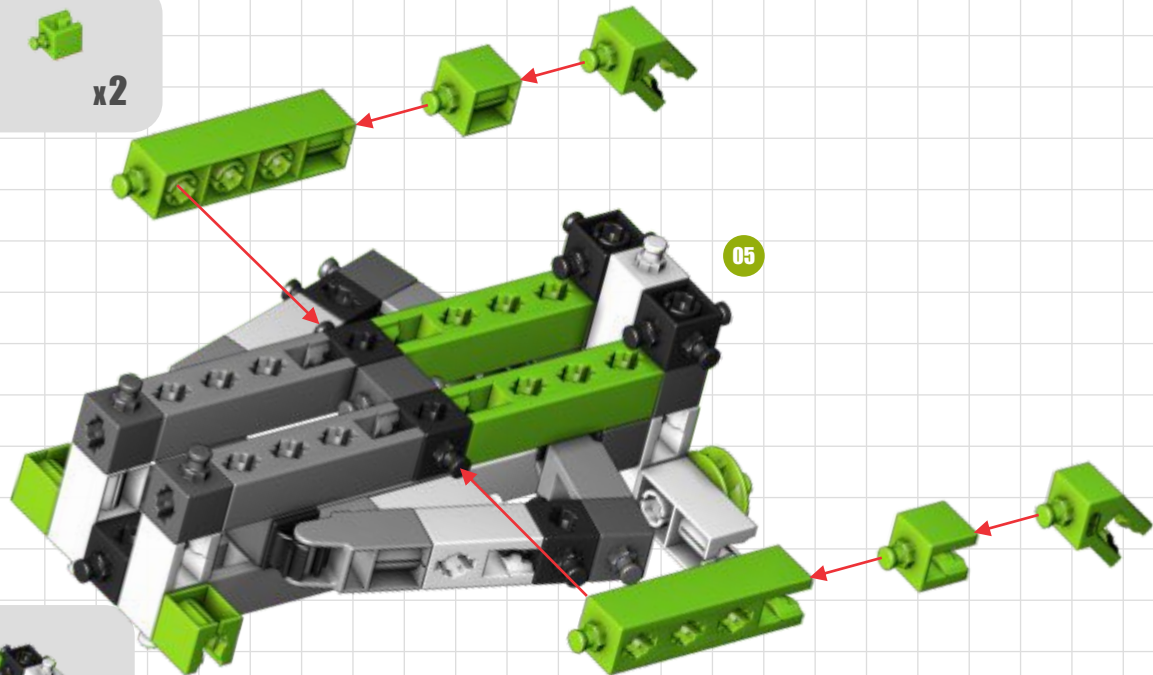
x2



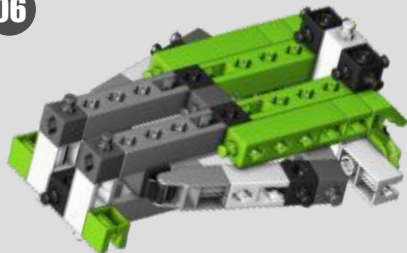
x2



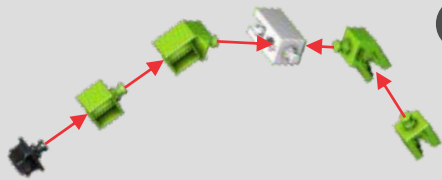
x2



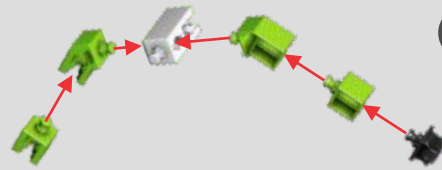
06



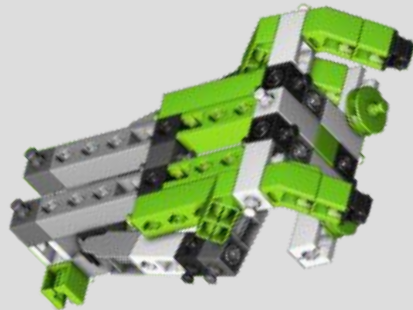
07



08



09



x2



x4



x4



x2

06

07

08



x4



x5



x5



x2



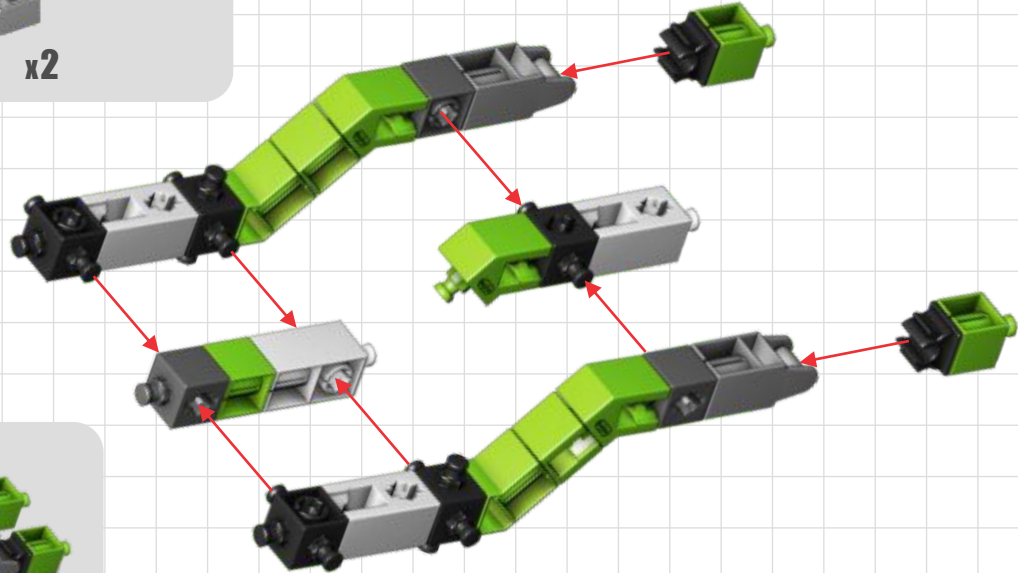
x5



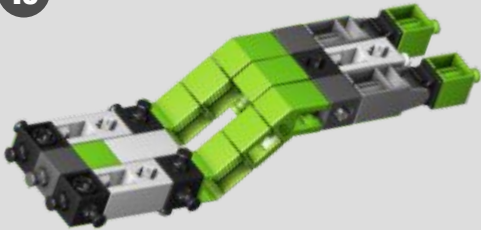
x3



x2



10





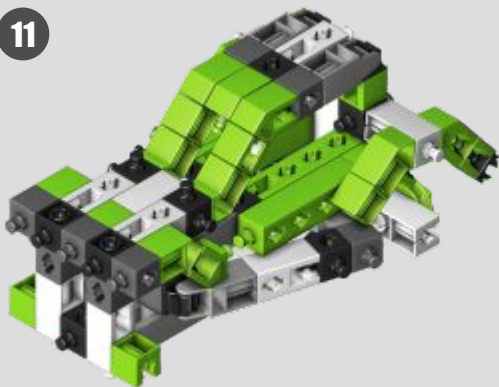
x4



x2

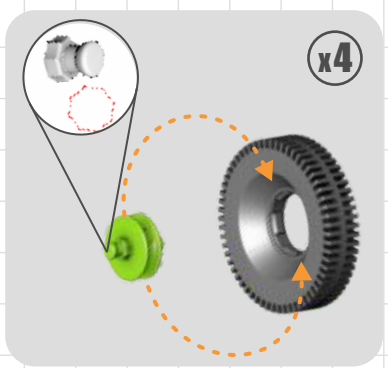
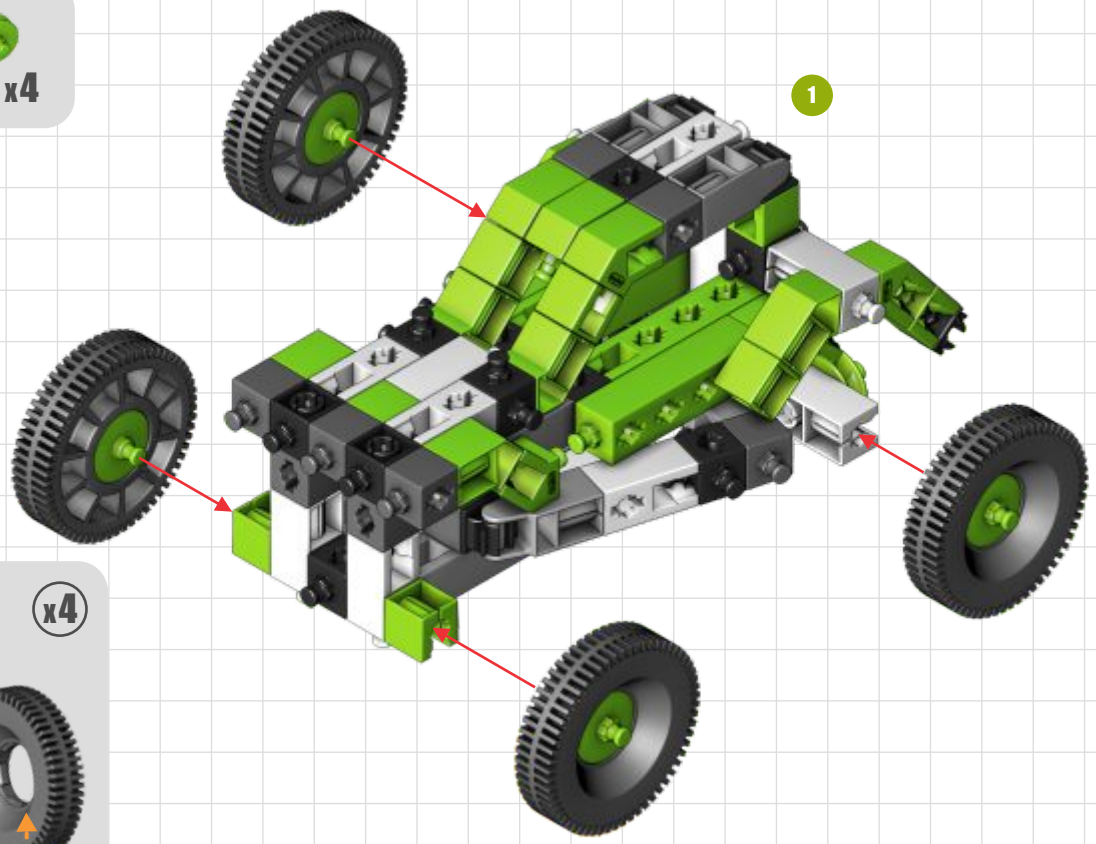
10

11



09









x1



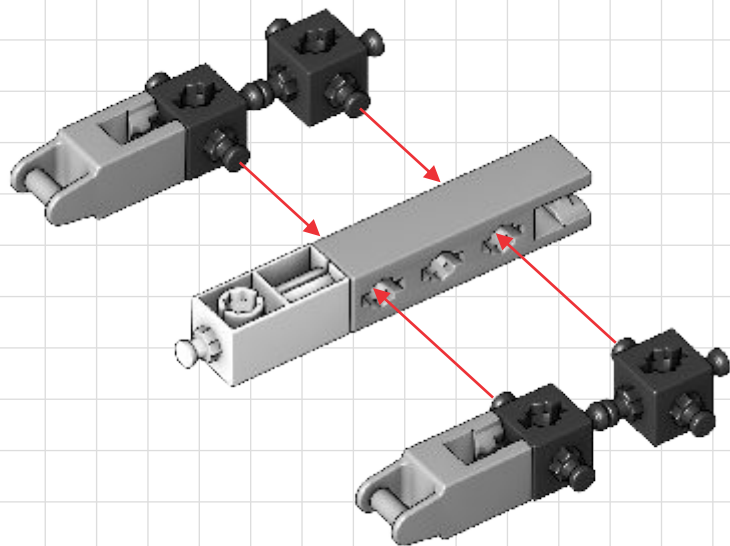
x2



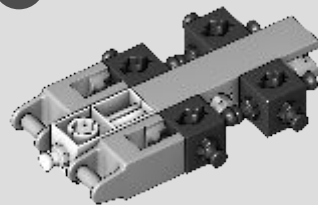
x1



x4



01

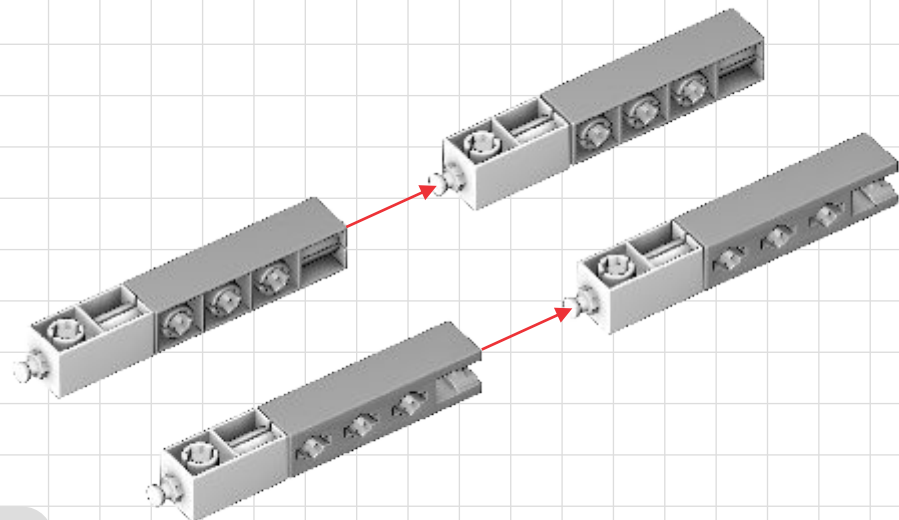




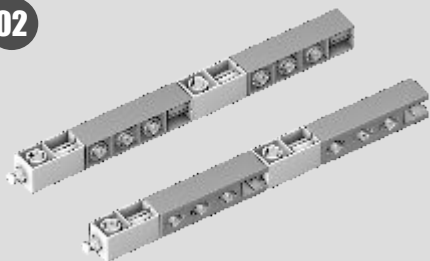
x4



x4



02

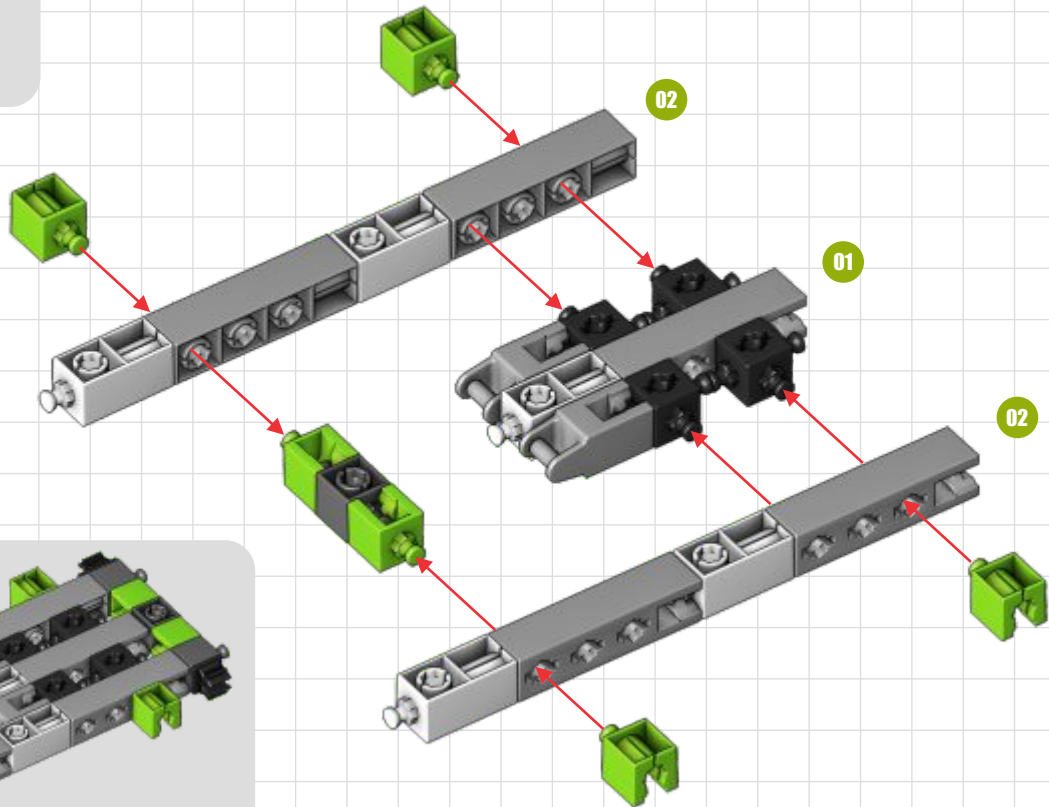




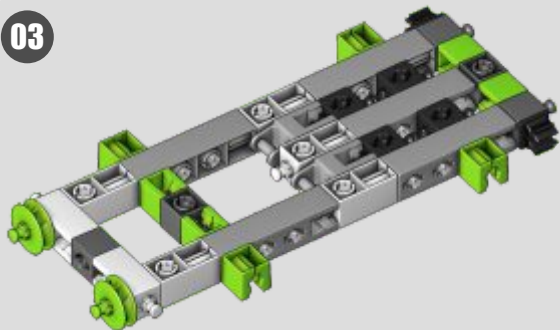
x1



x6



03





x2



x4



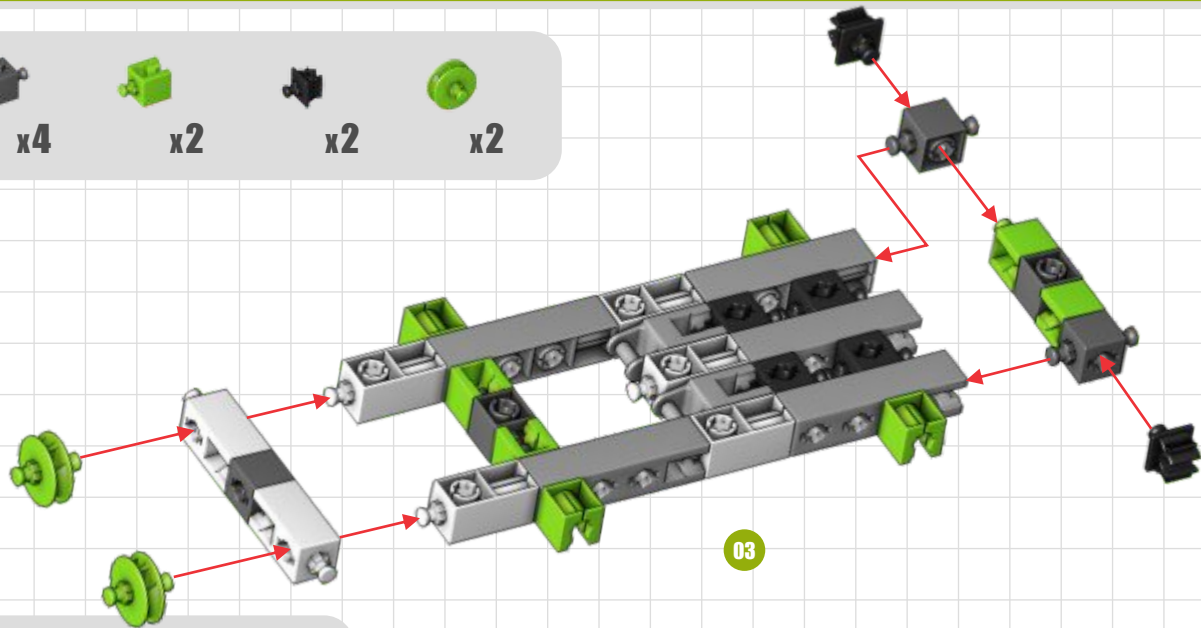
x2



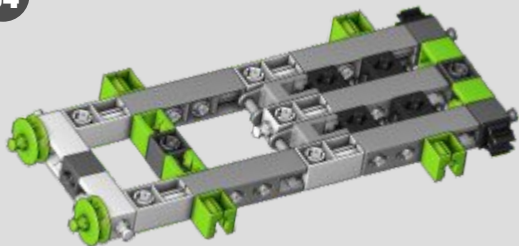
x2



x2



04





x2



x2



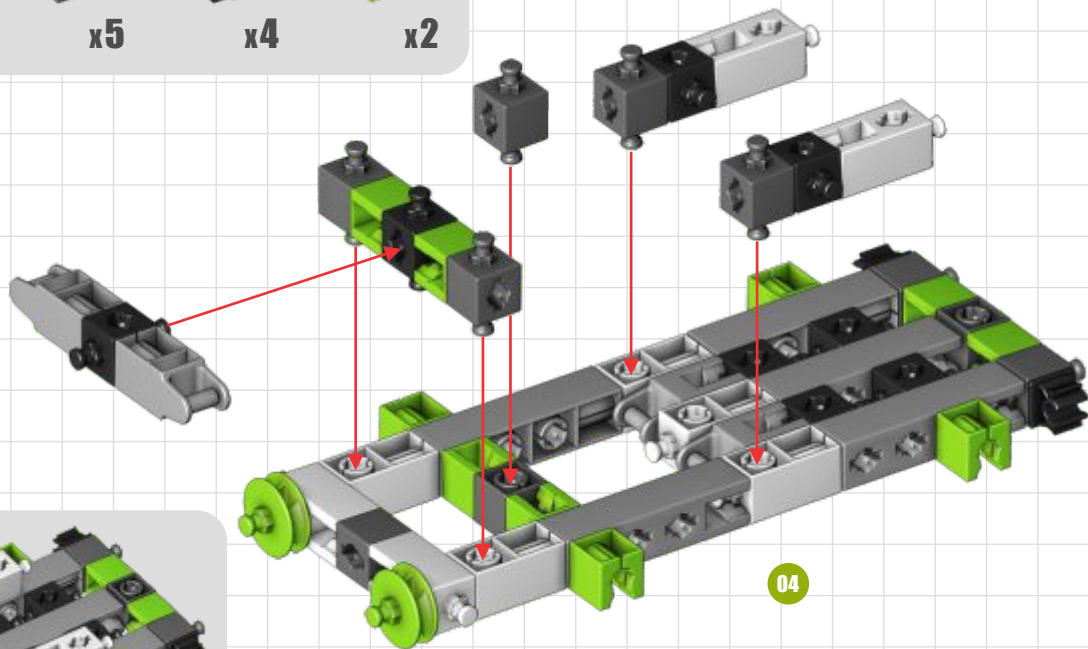
x5



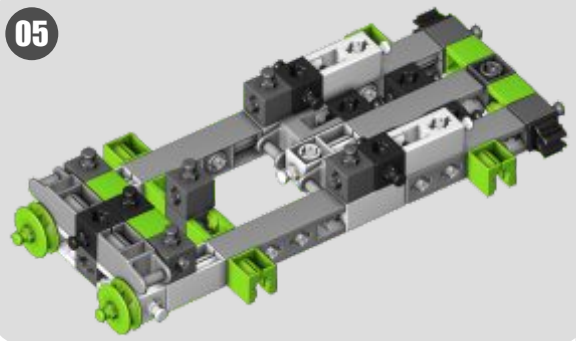
x4

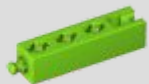


x2



05





x4



x1



x2



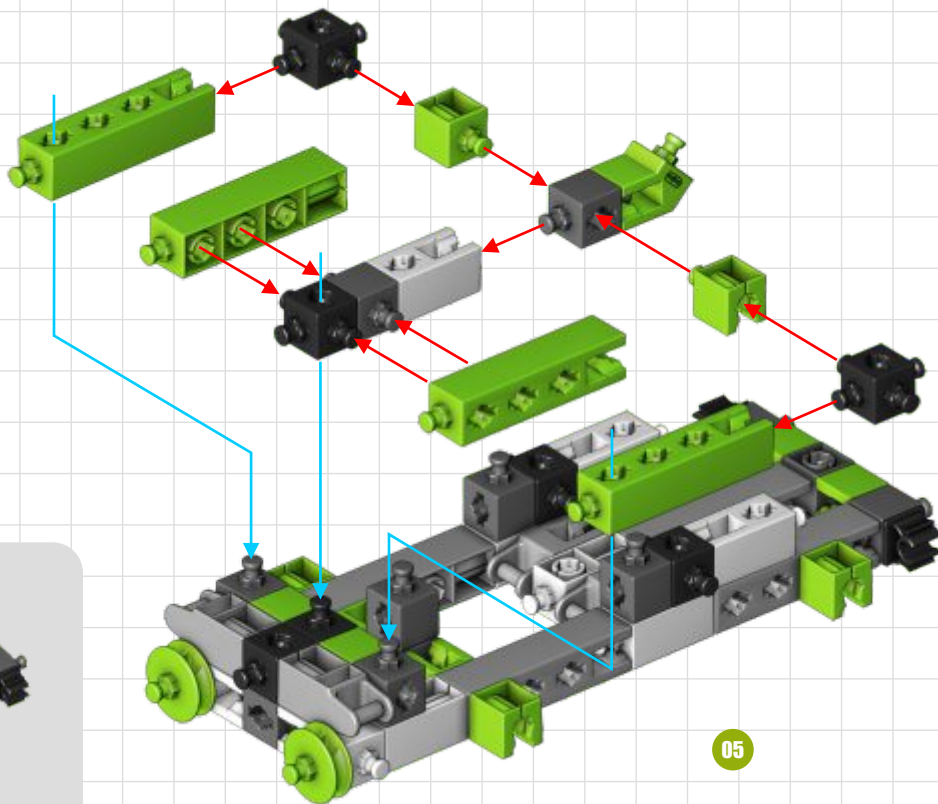
x1



x2

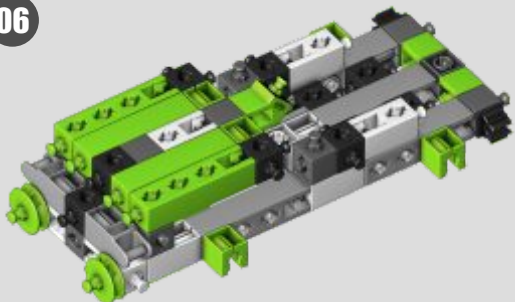


x3



05

06





x1



x2



x2

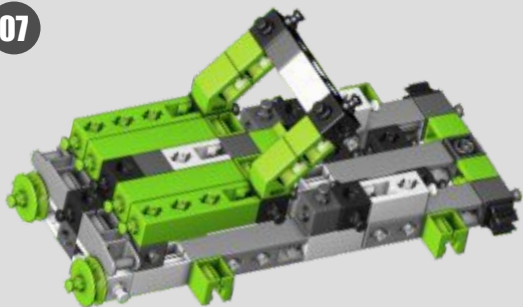


x2

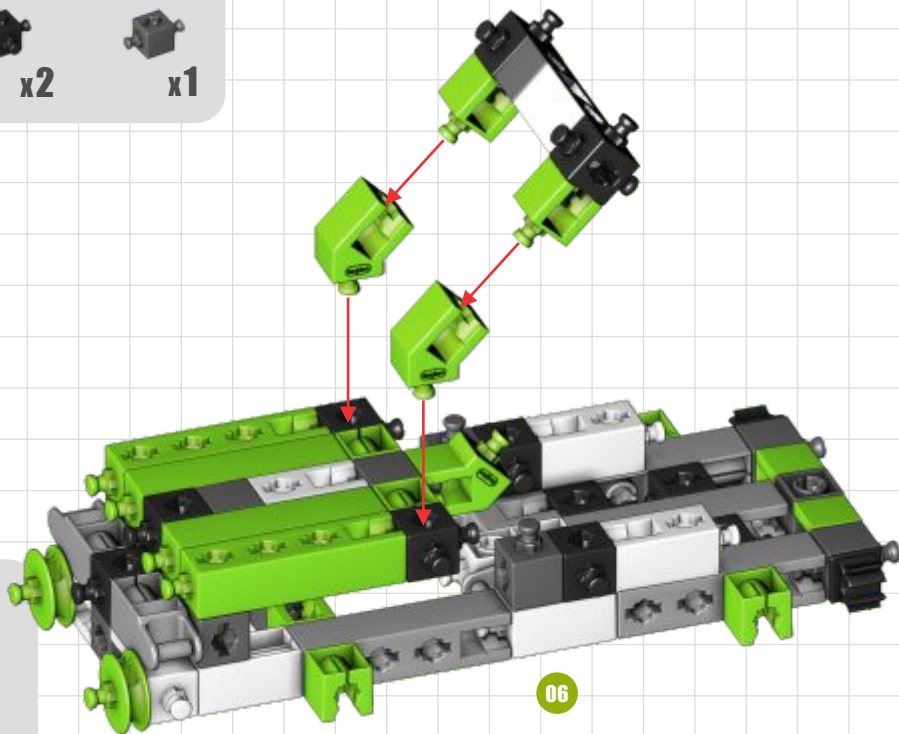


x1

07



06





x3



x2



x2

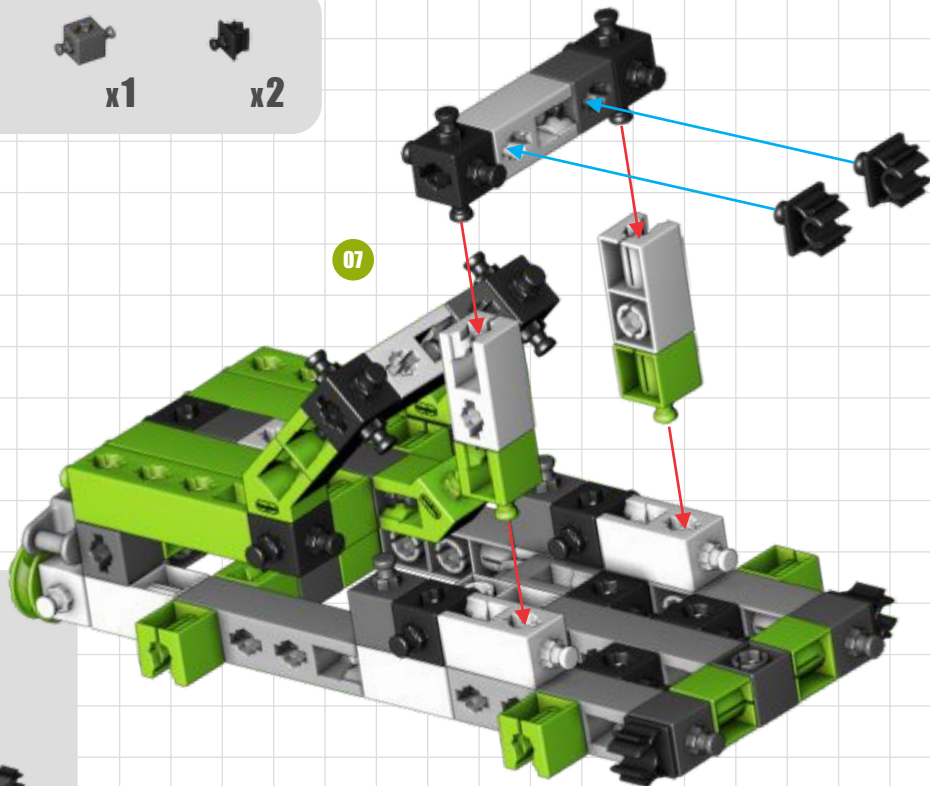


x1

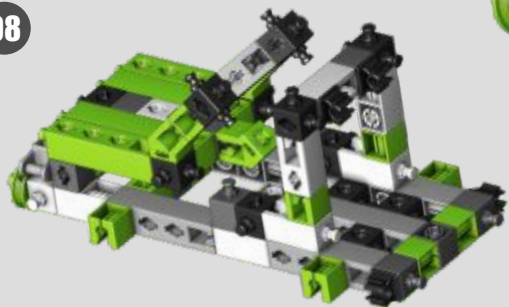


x2

07



08







x2



x2



x2



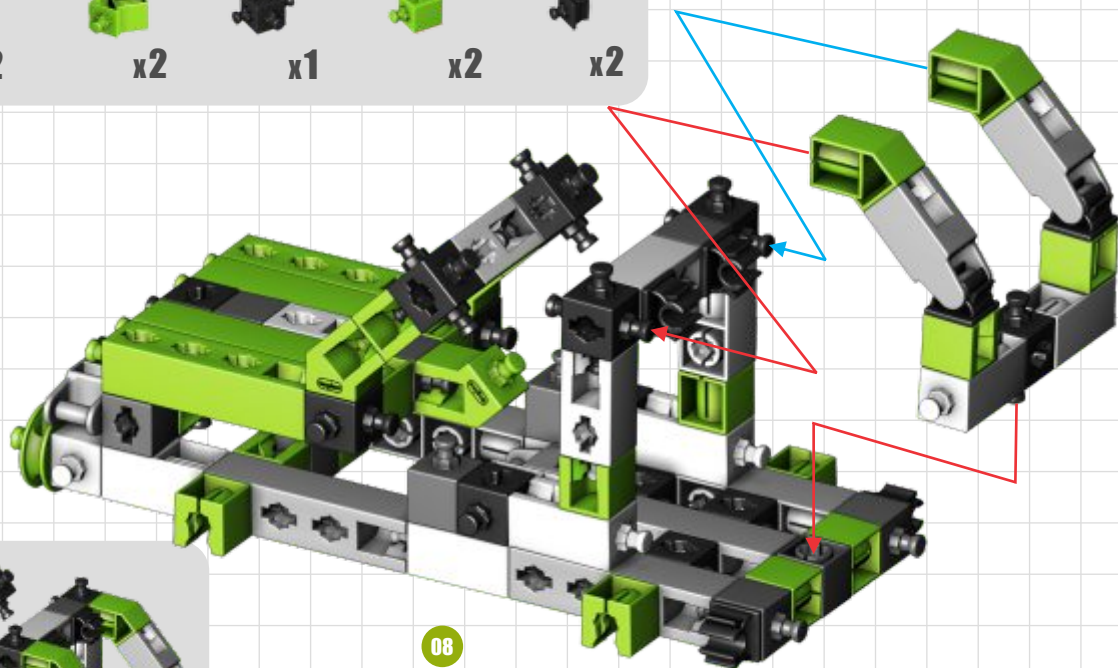
x1



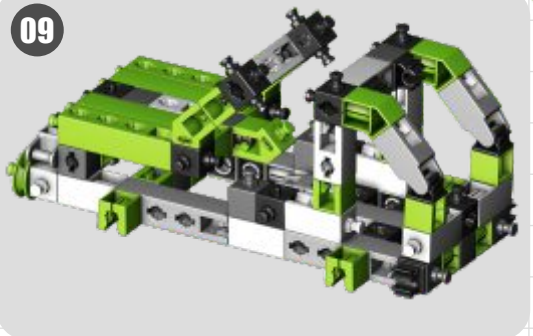
x2



x2



08



09



x1



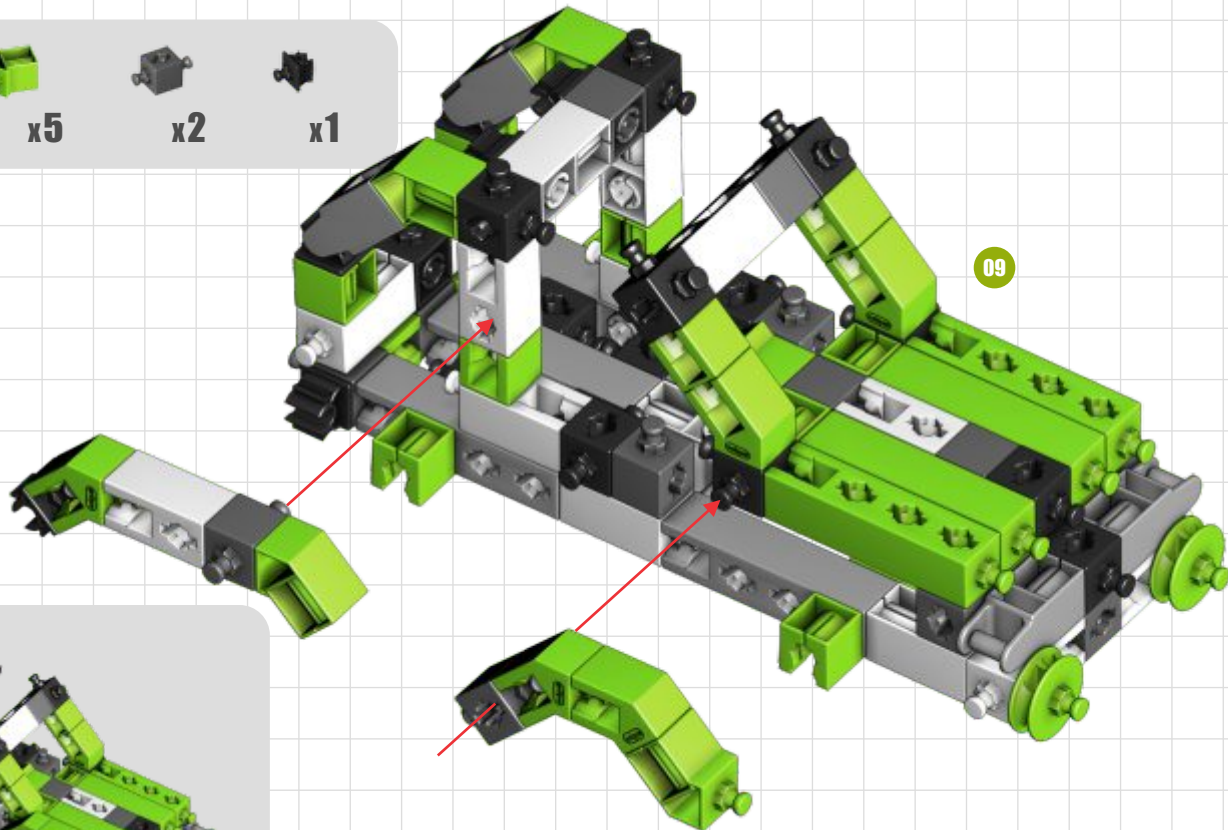
x5



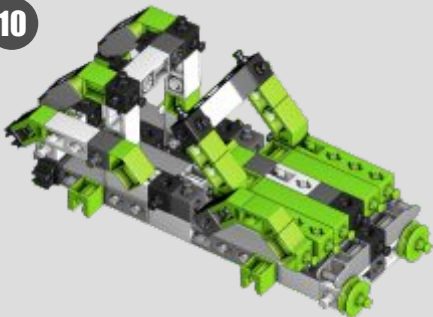
x2



x1



10





x1



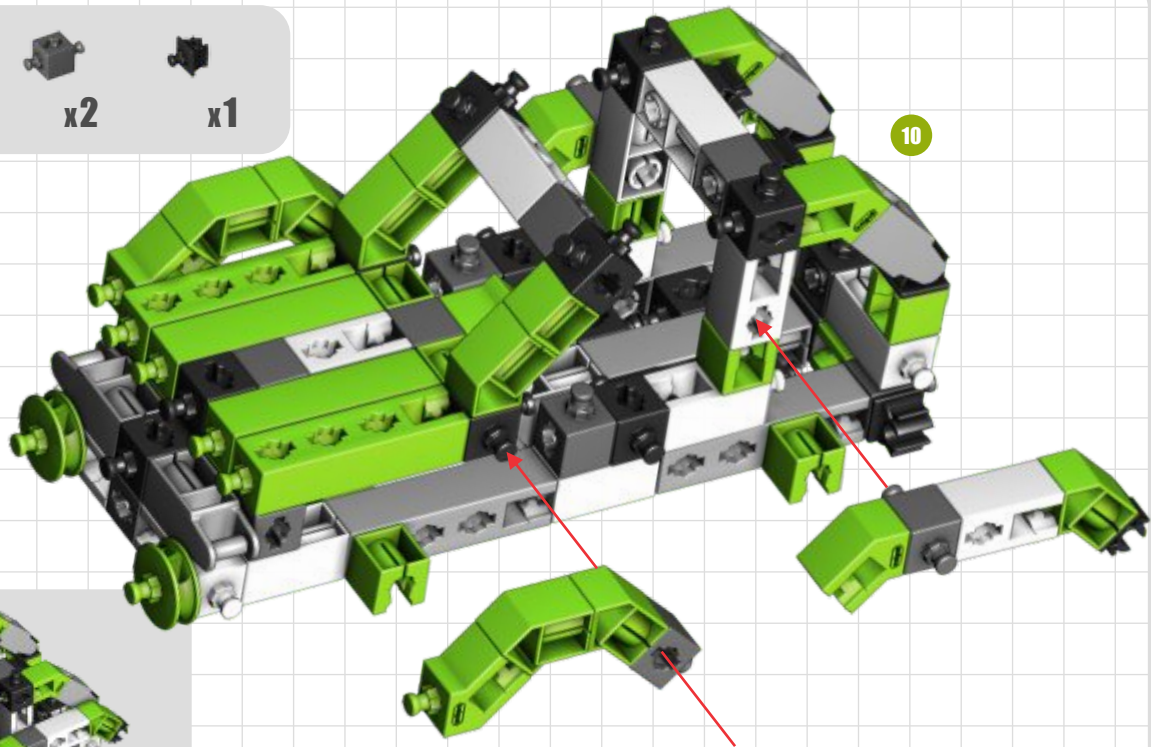
x5



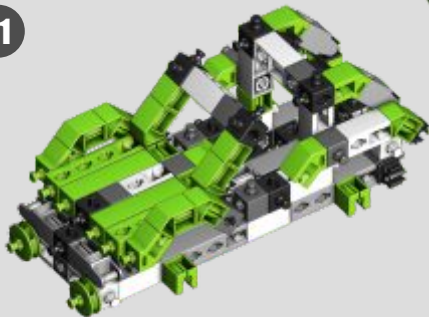
x2



x1



11



tire  
M



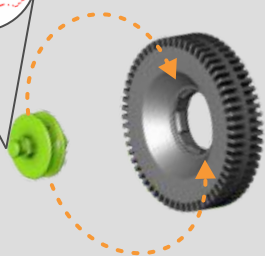
x4



x4



x4



12

