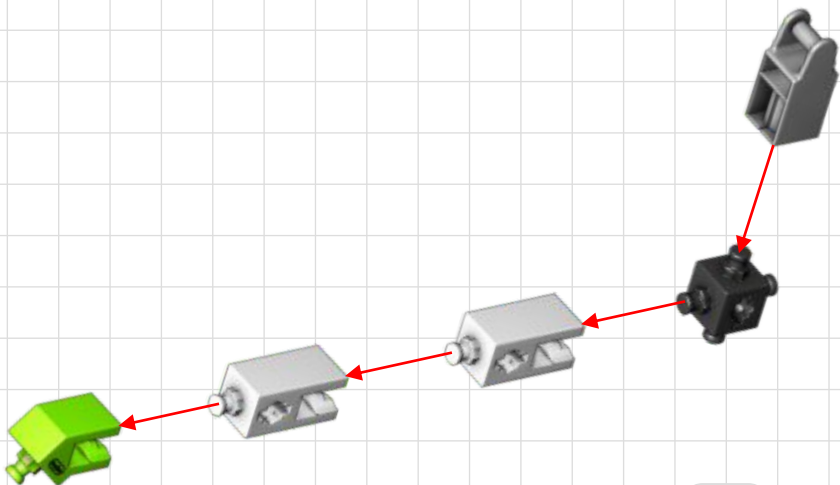
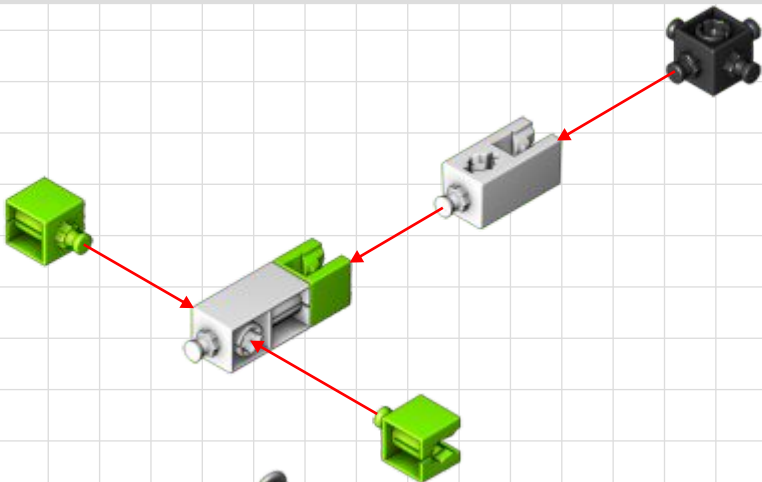
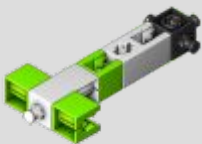


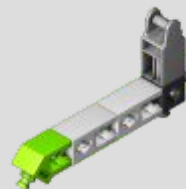
01

02

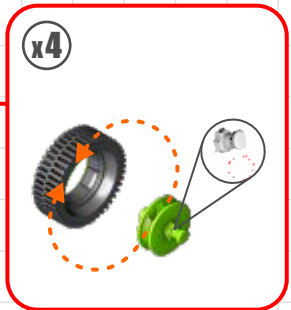
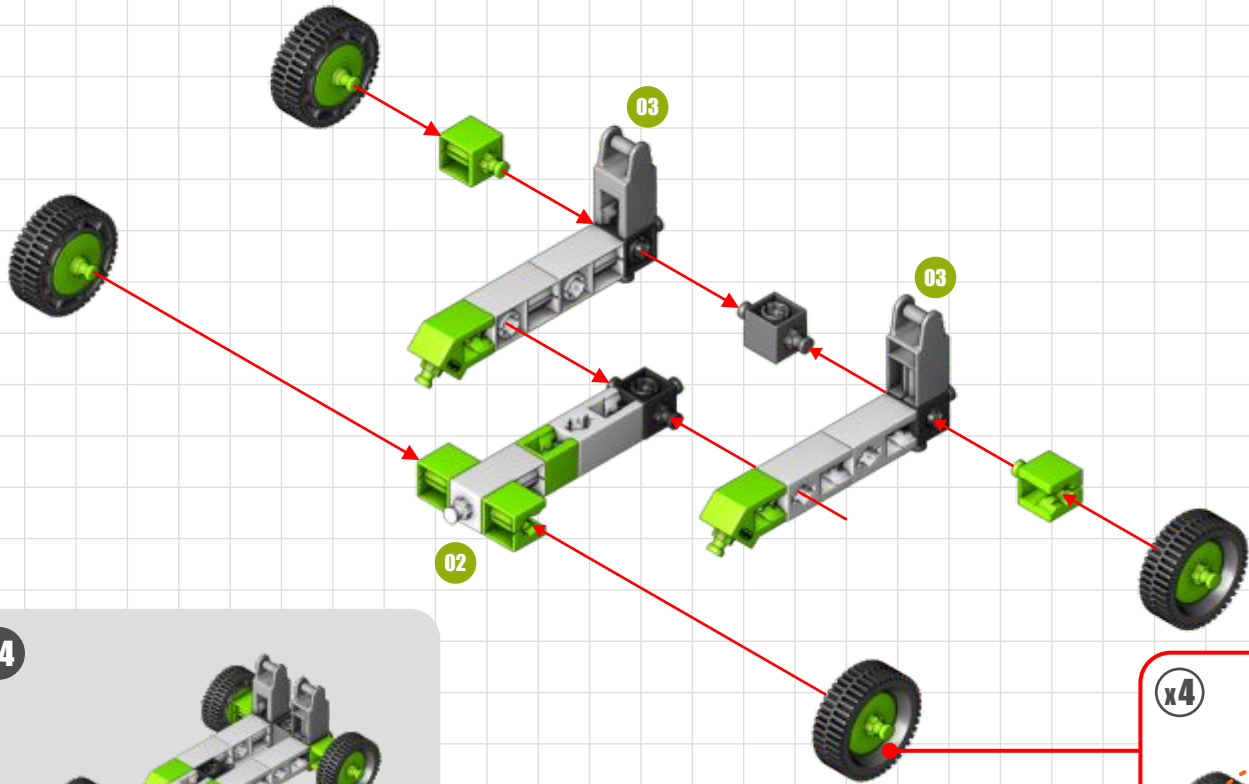


03

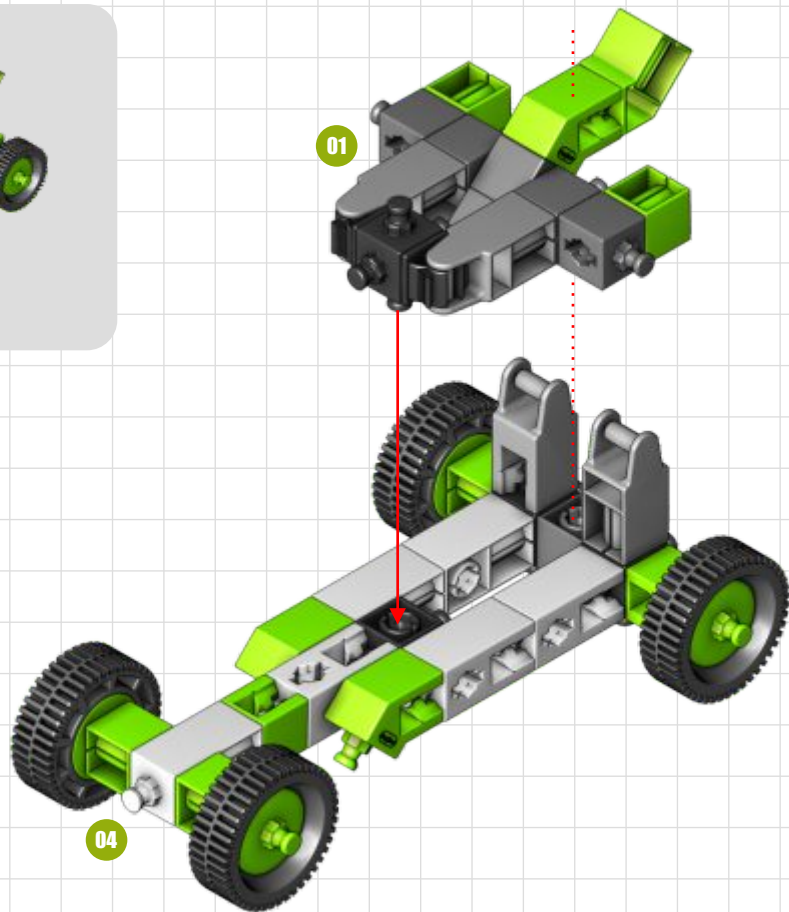
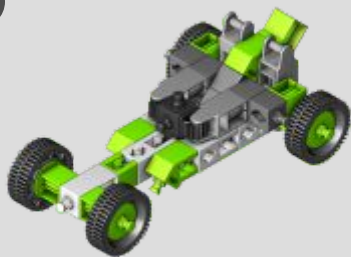
x2



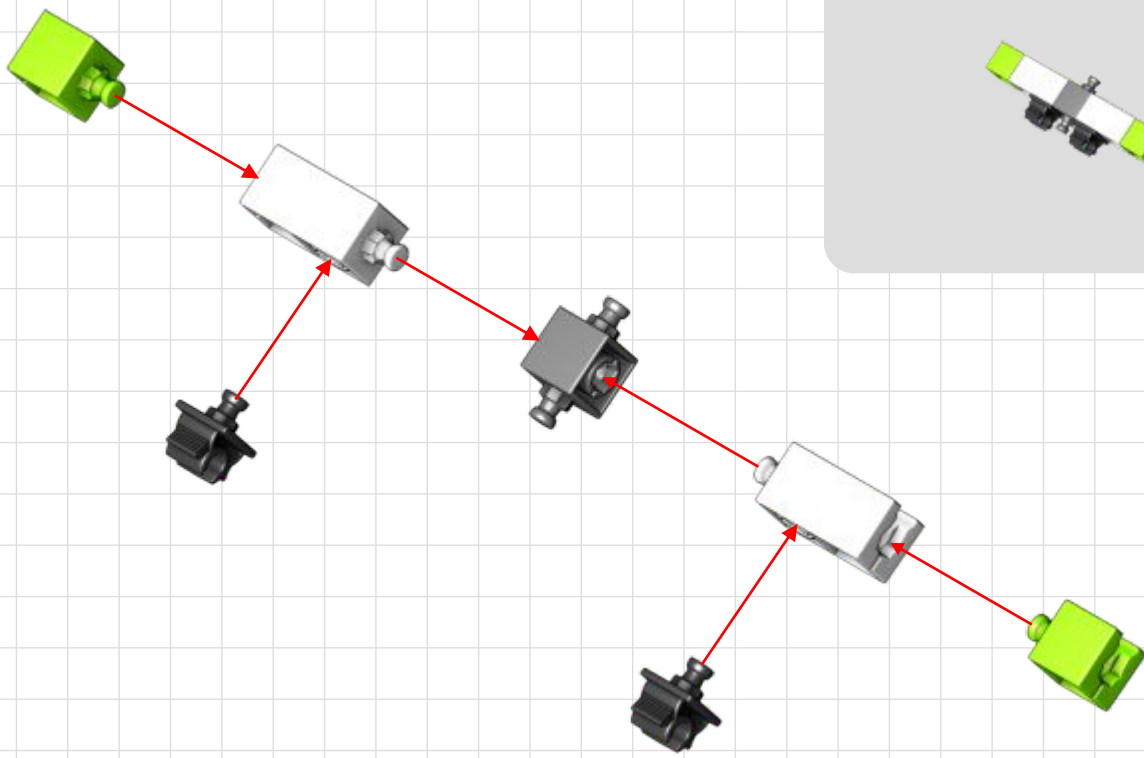
02



05



04

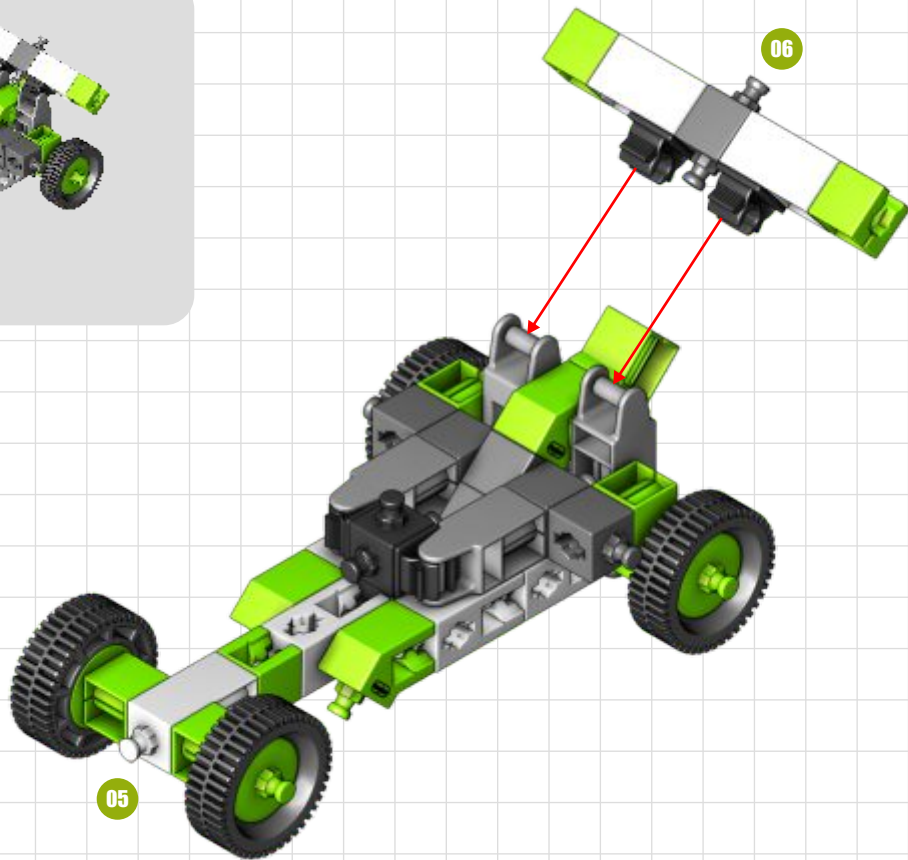
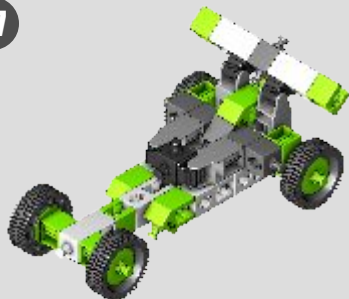


05

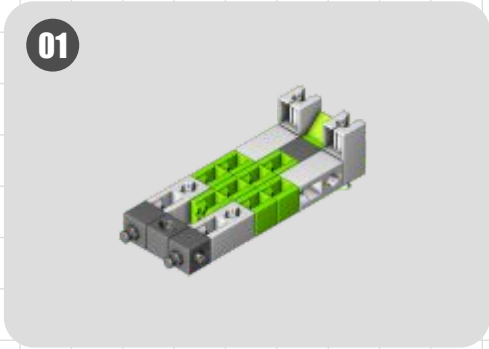
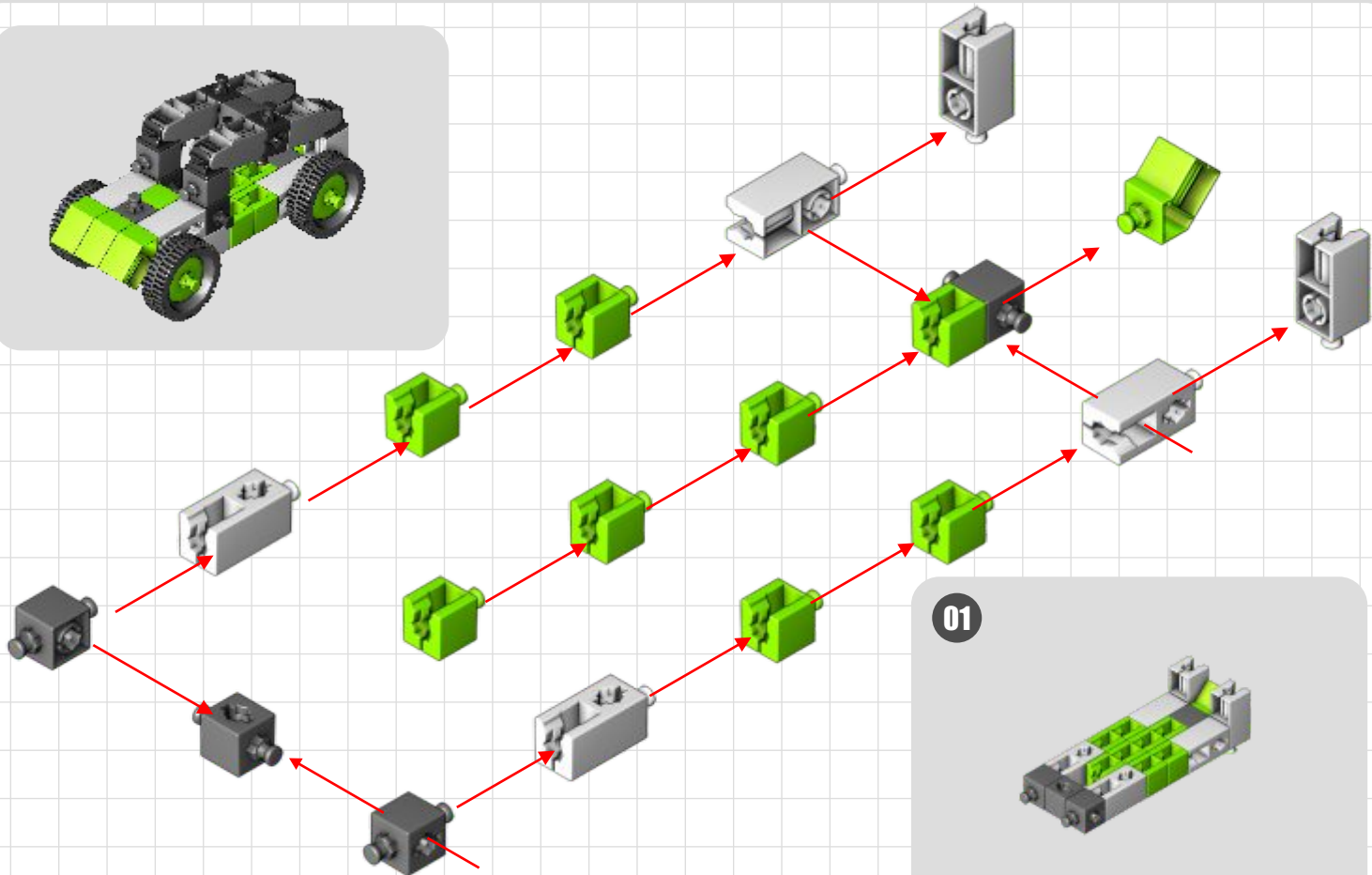
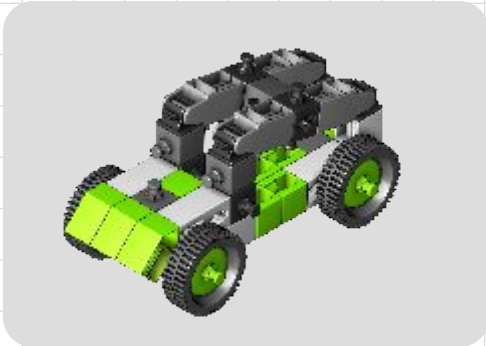
06



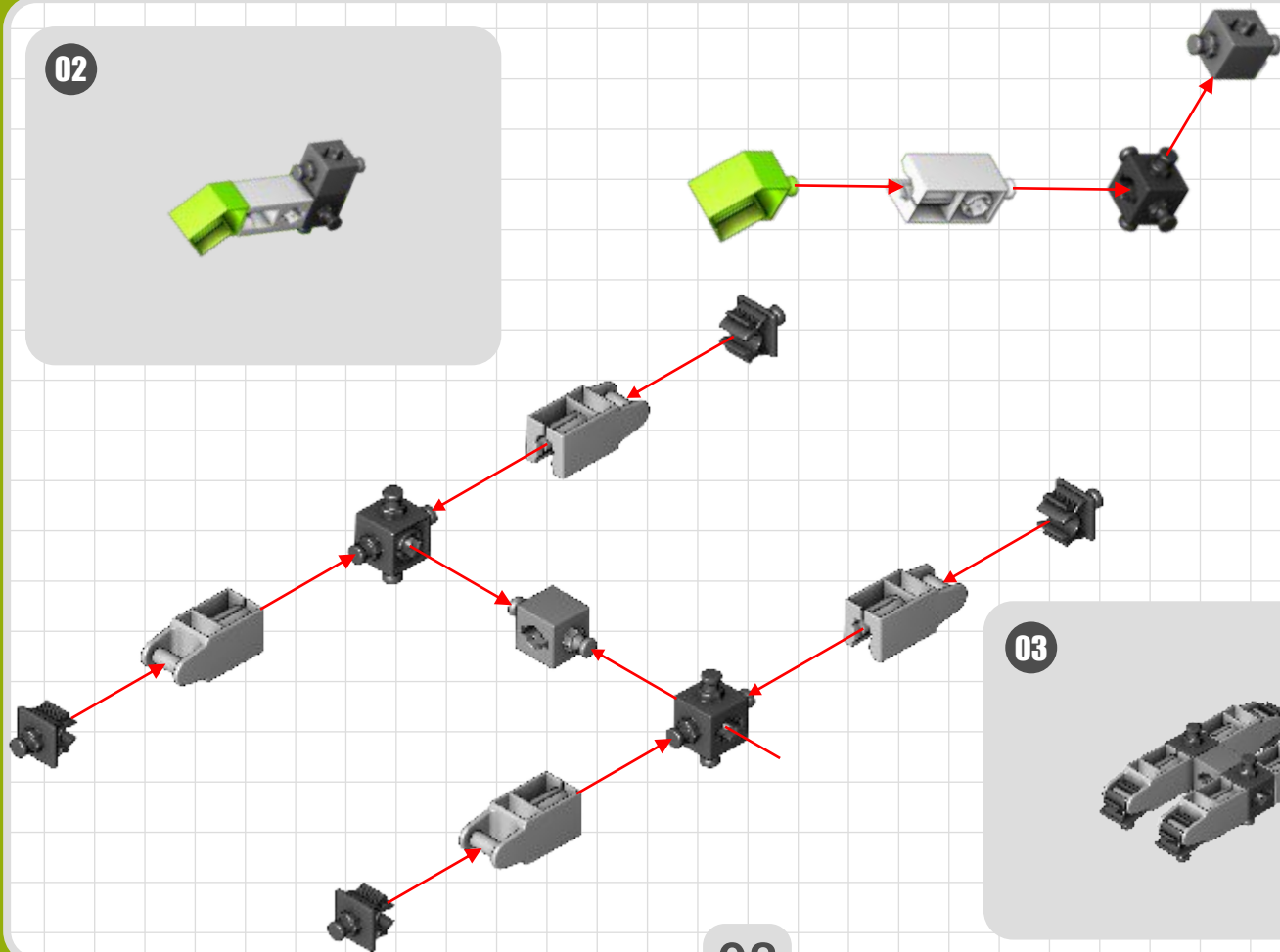
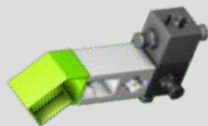
07



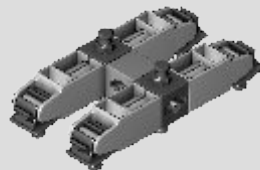
06



02

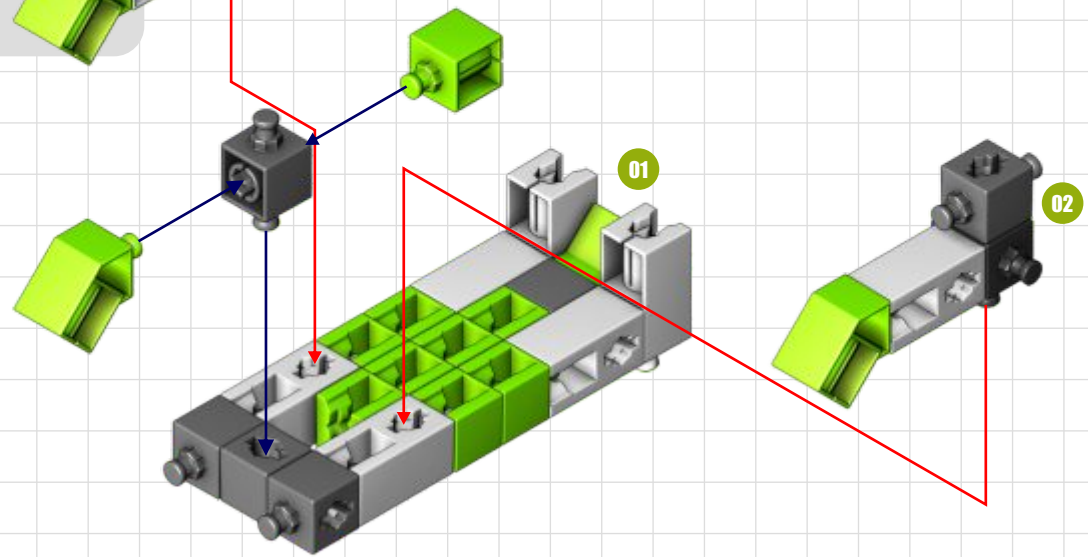
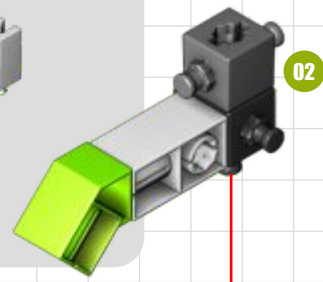
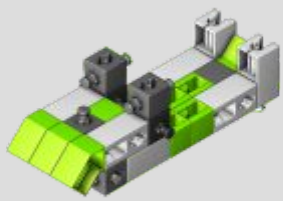


03

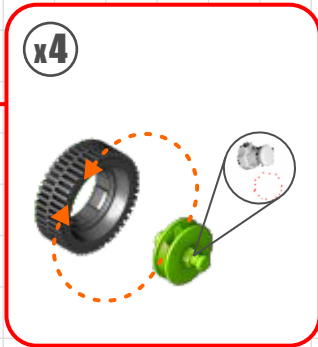
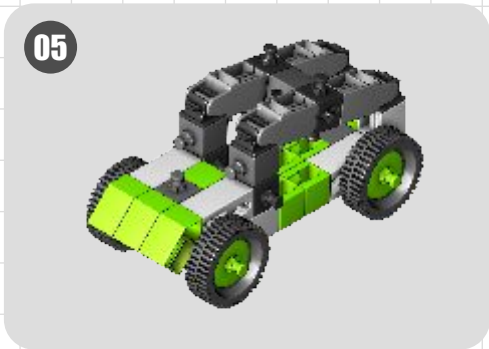
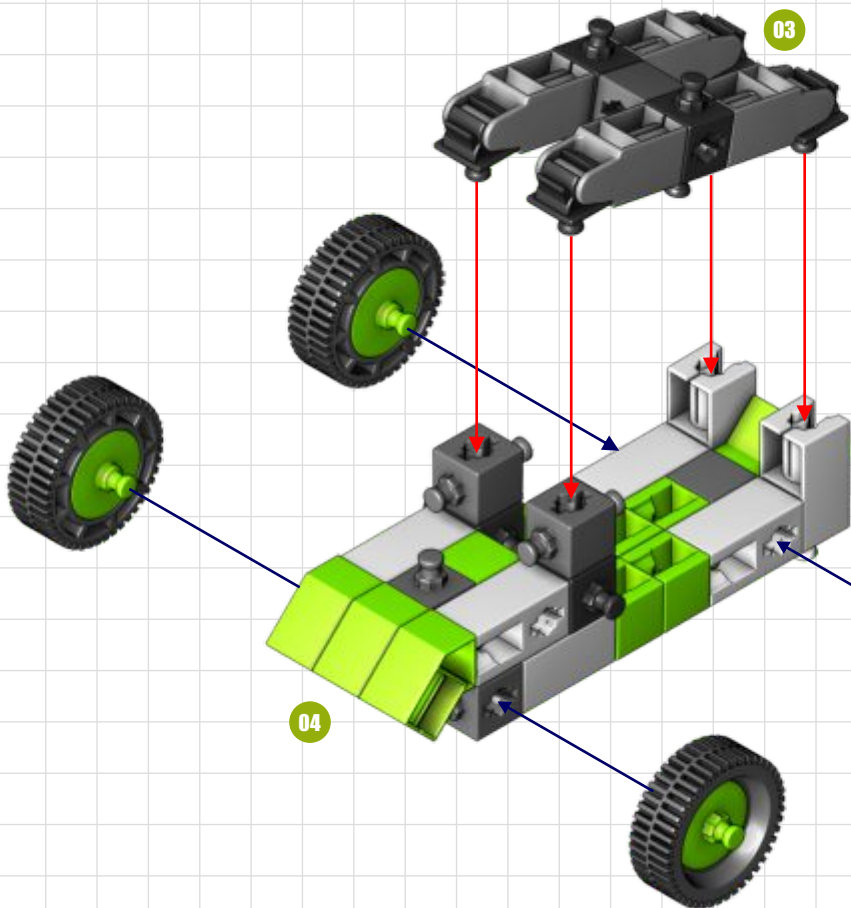




04



09





x8



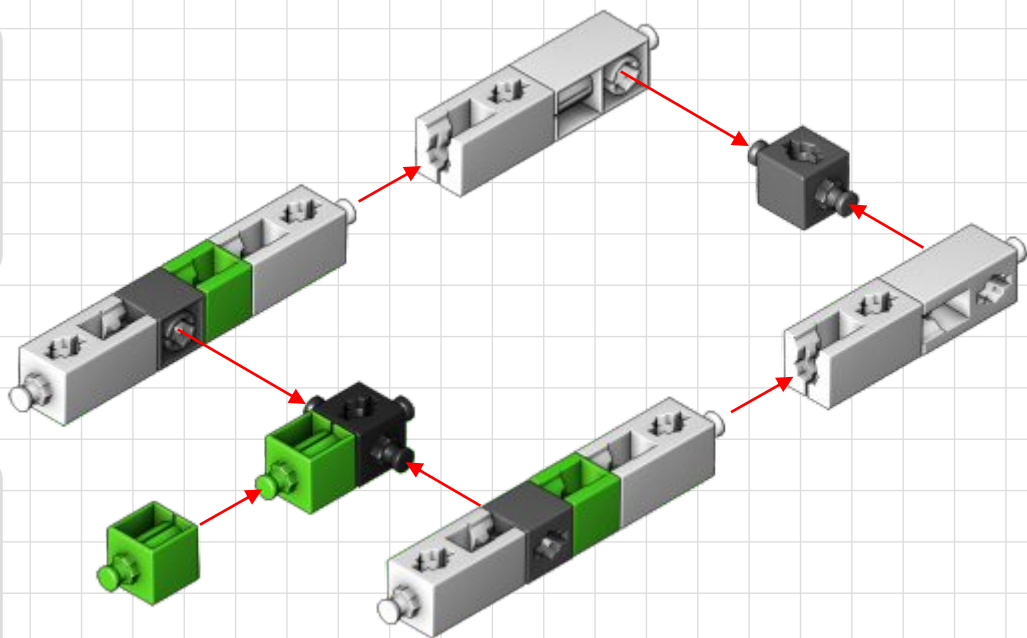
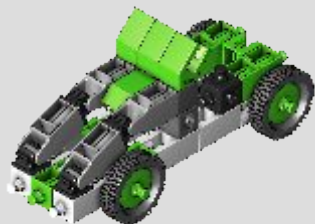
x1



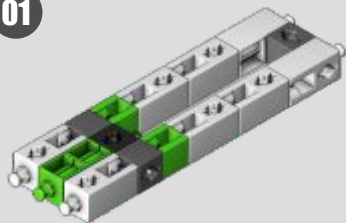
x4



x3



01



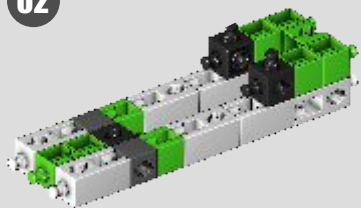


x2

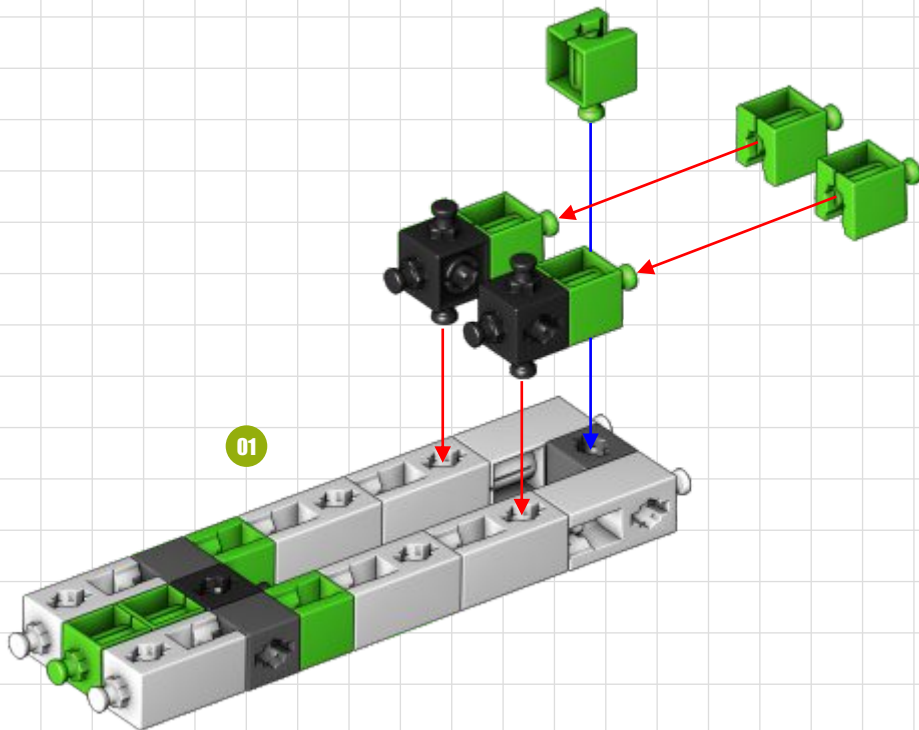


x5

02



01





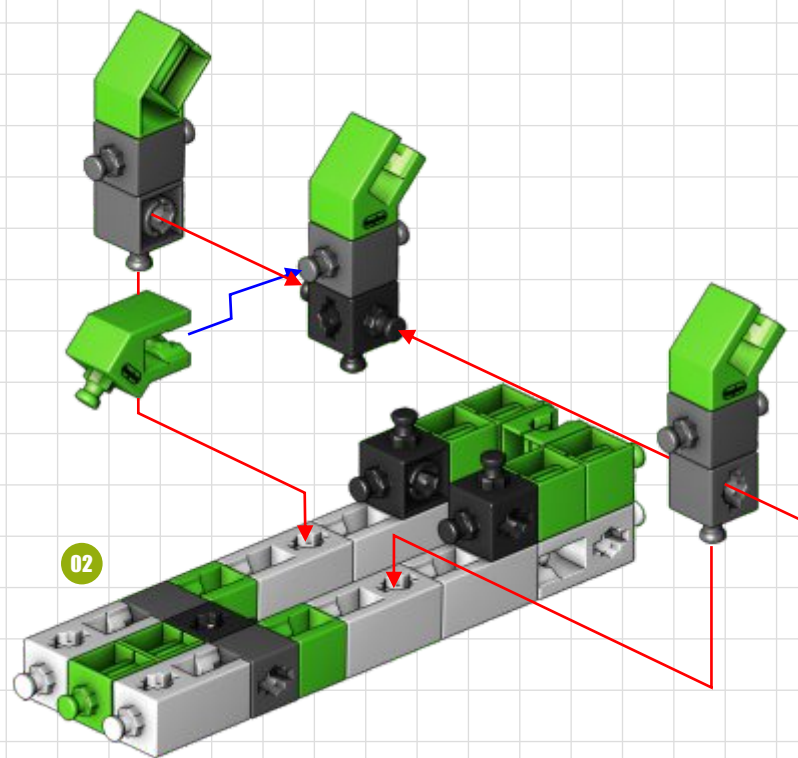
x4



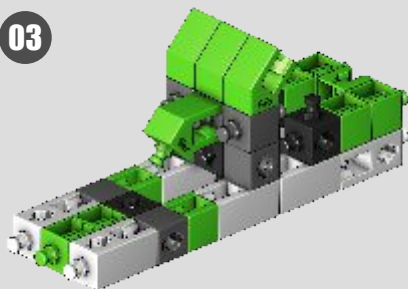
x5



x1



03

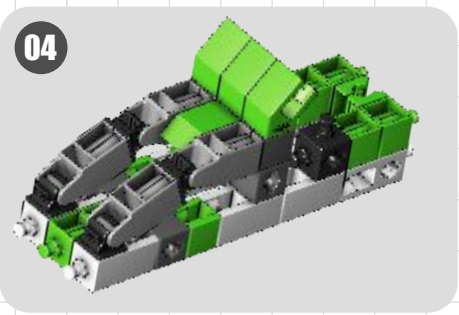
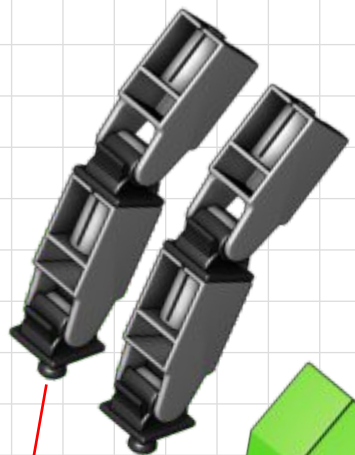




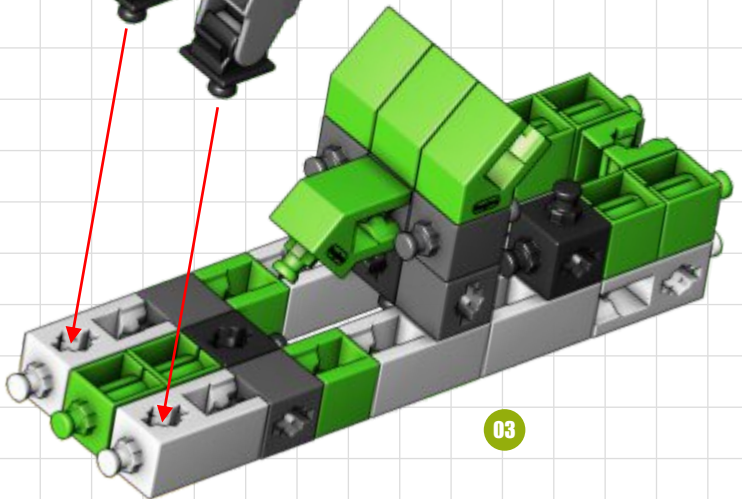
x4



x4



04



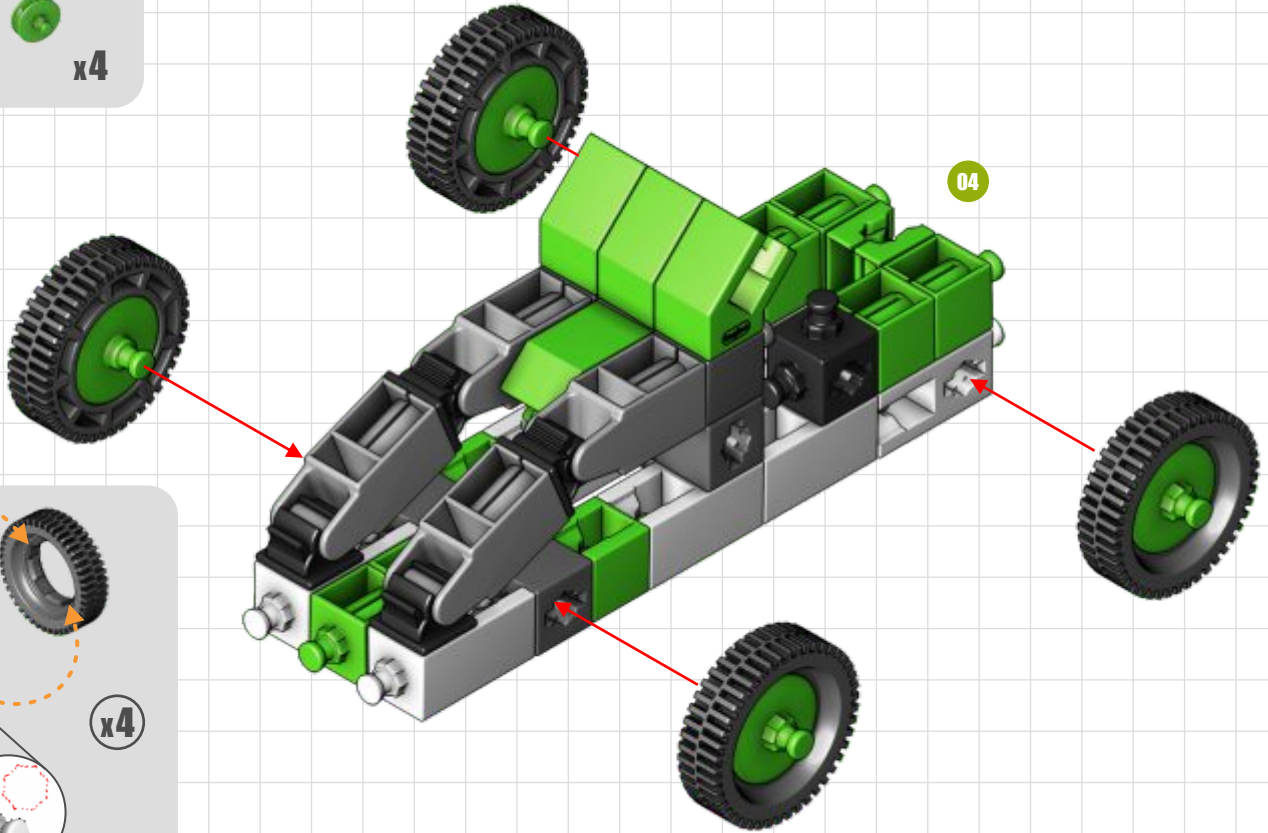
03



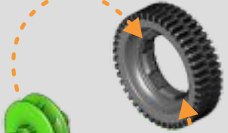
x4



x4



04



x4





x5



x1



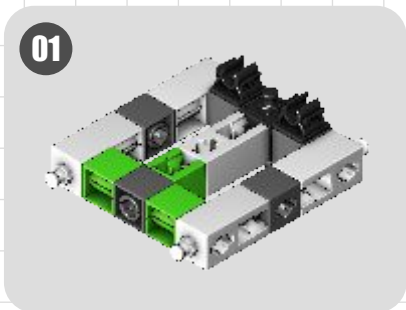
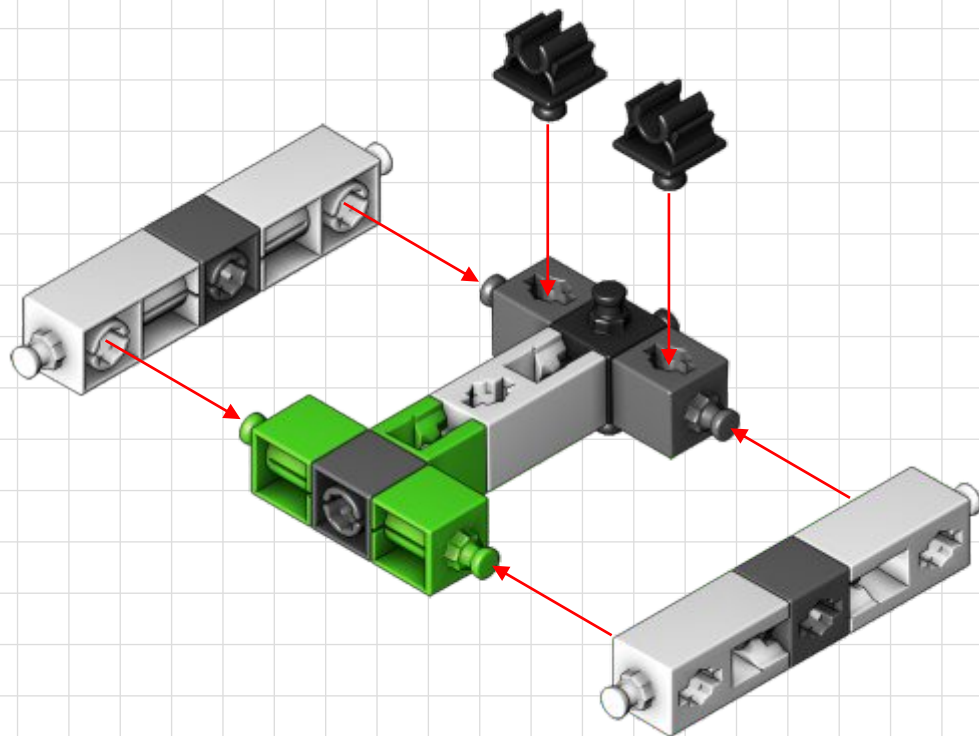
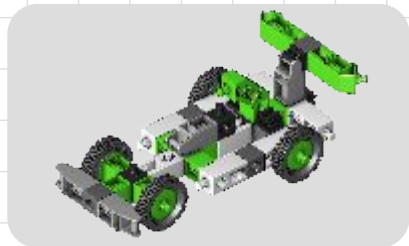
x3



x5



x2







x2



x1



x1

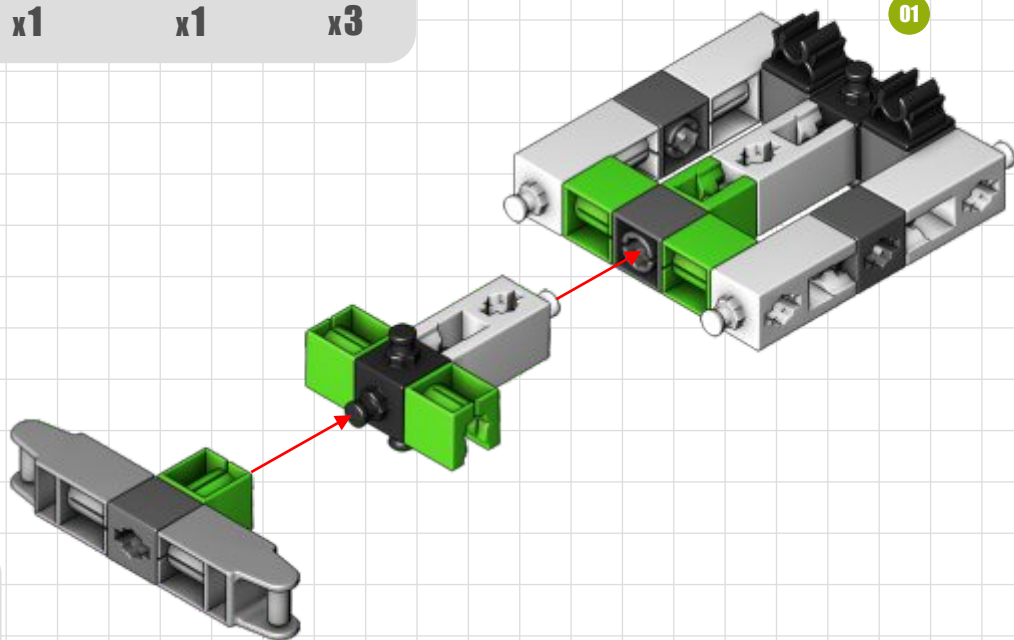


x1

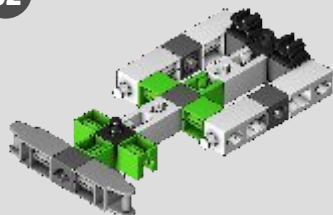


x3

01



02





x1



x2



x2



x1



x3

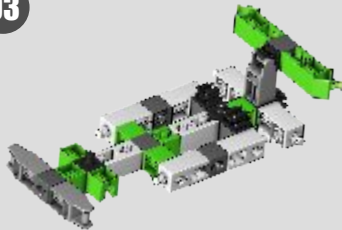


x1

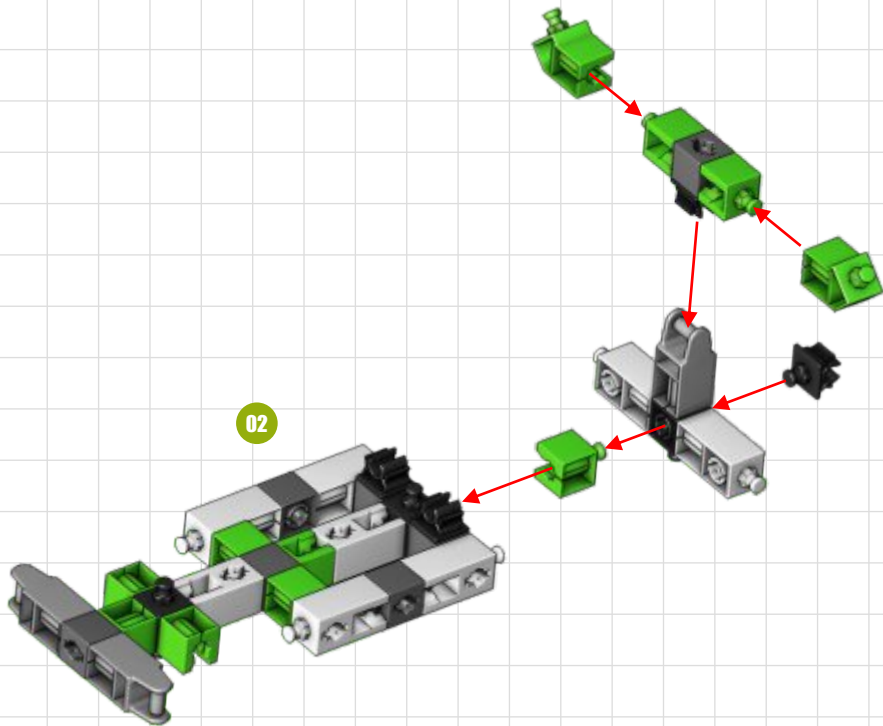


x2

03



02





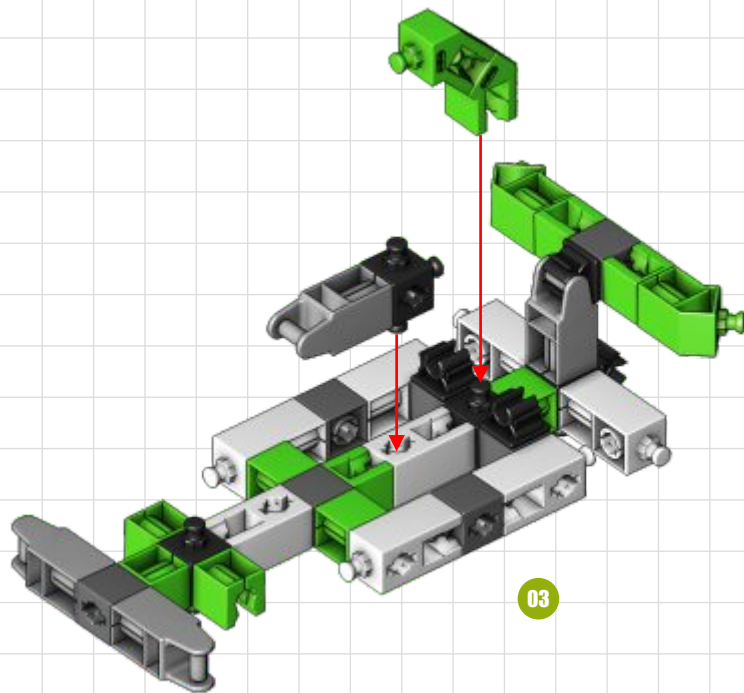
x1



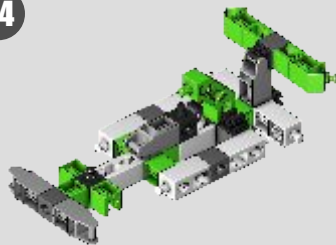
x2



x1



04

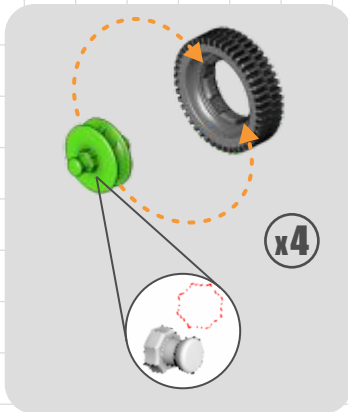
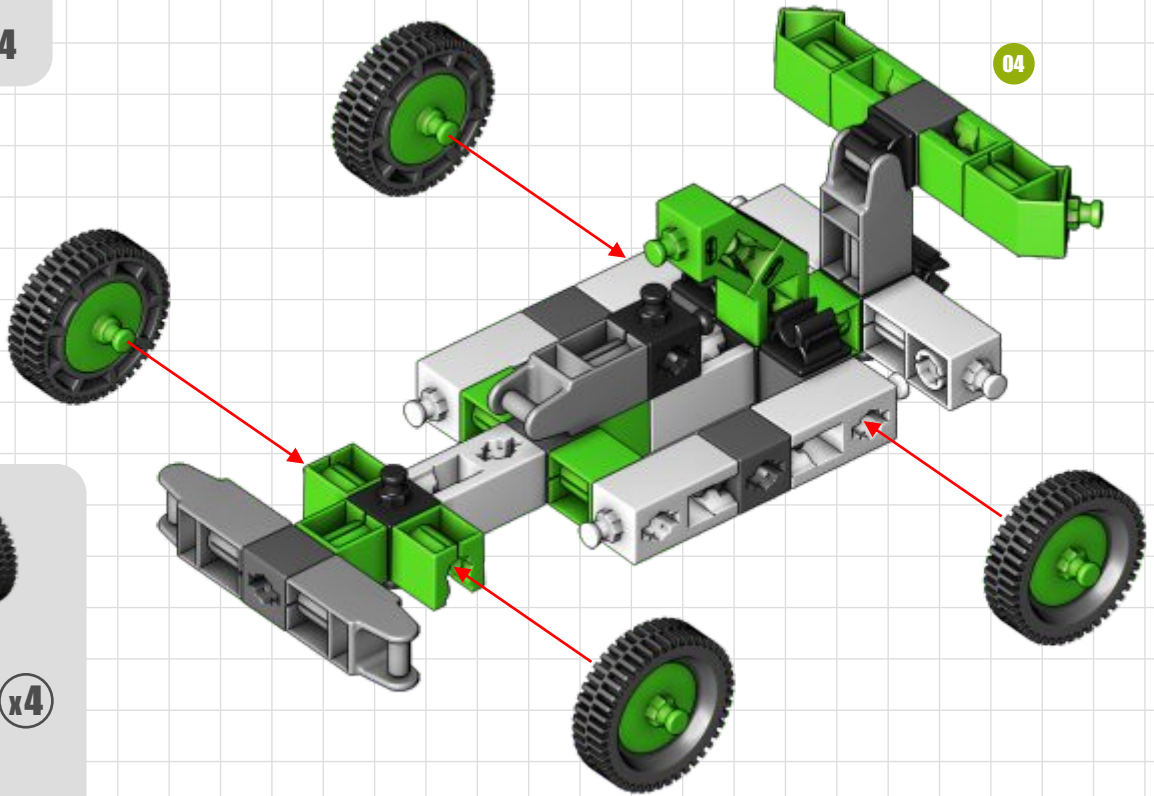


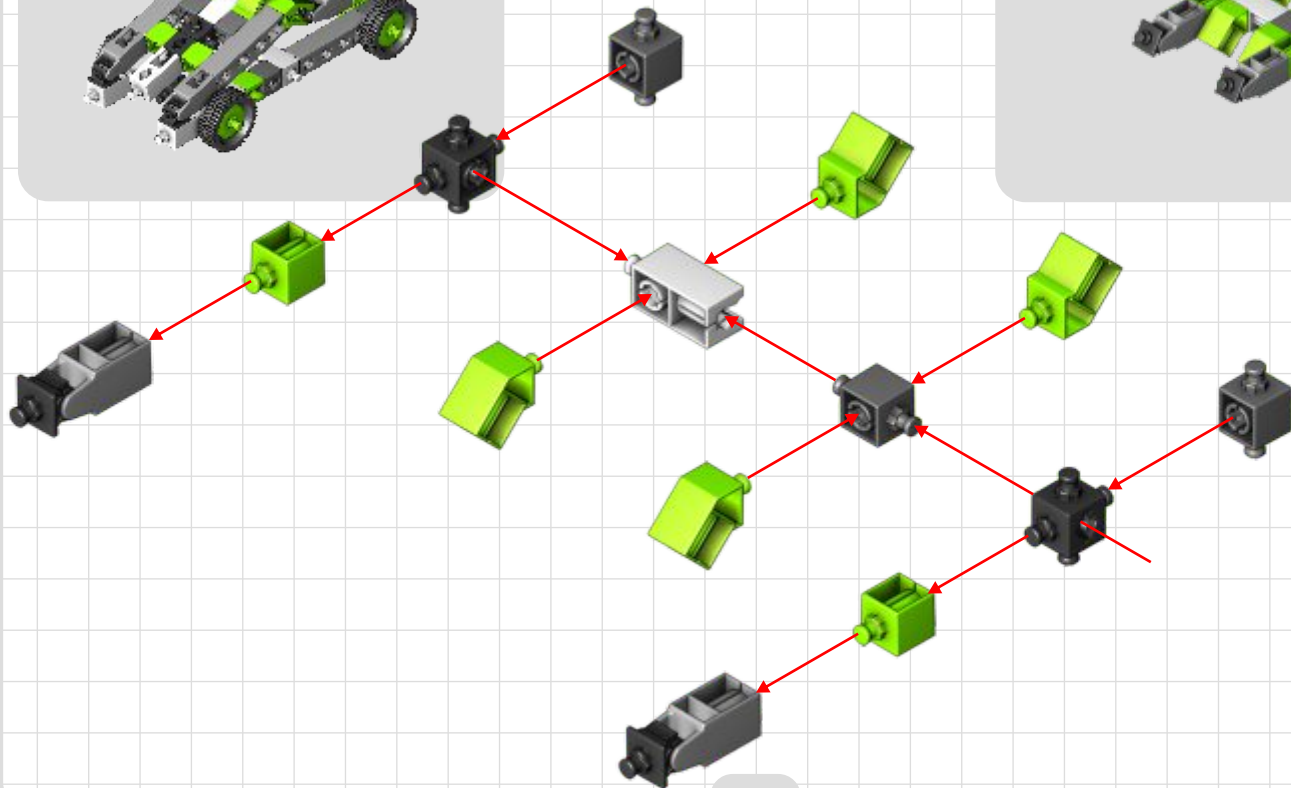
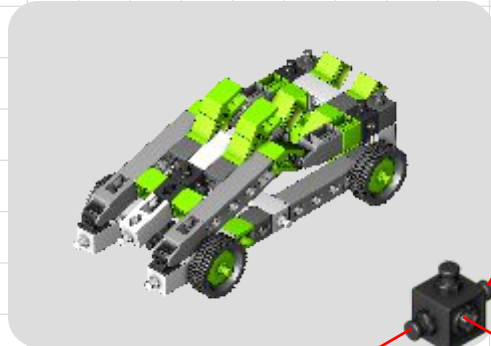


x4

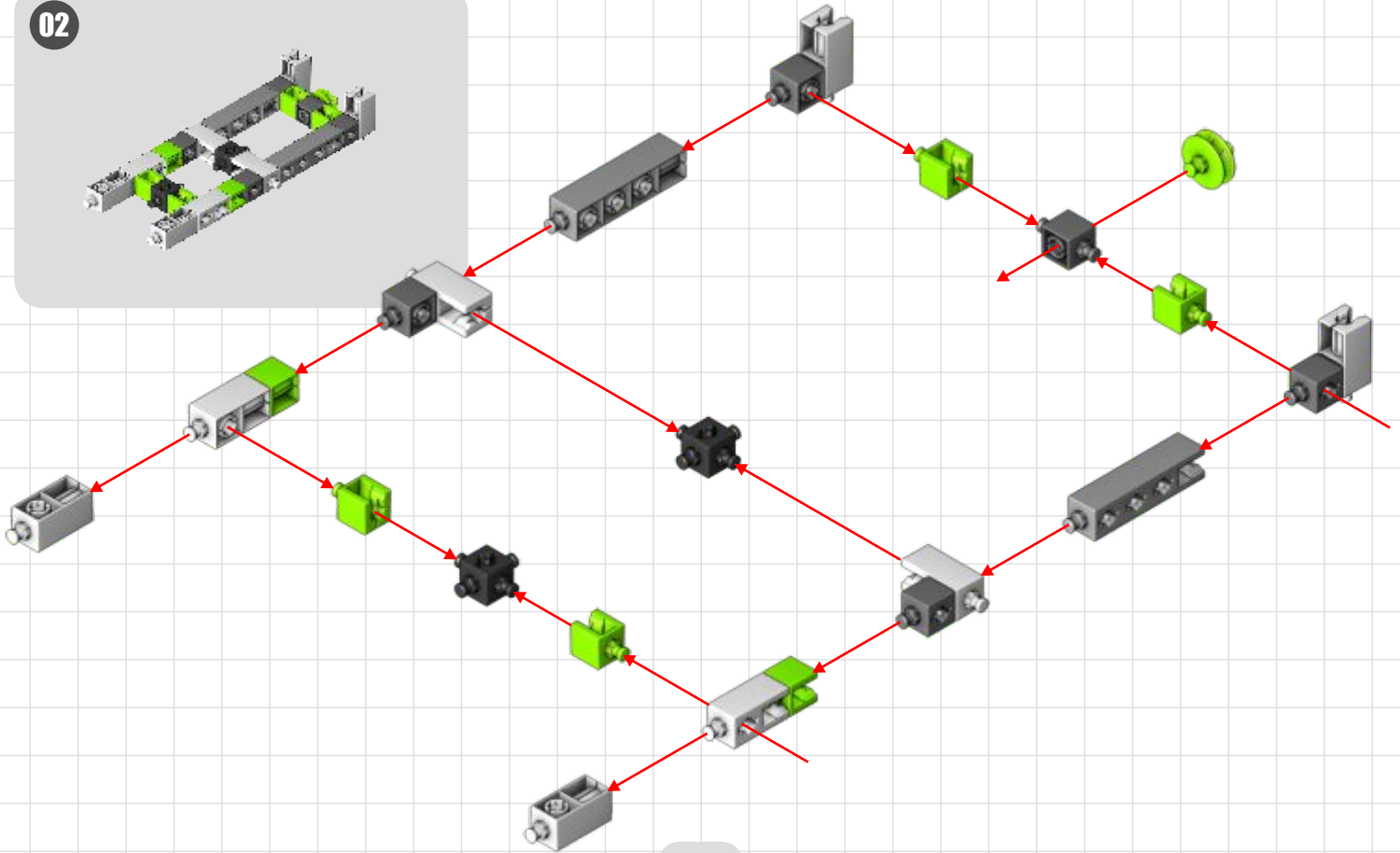
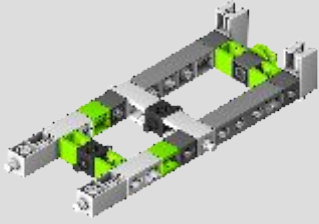


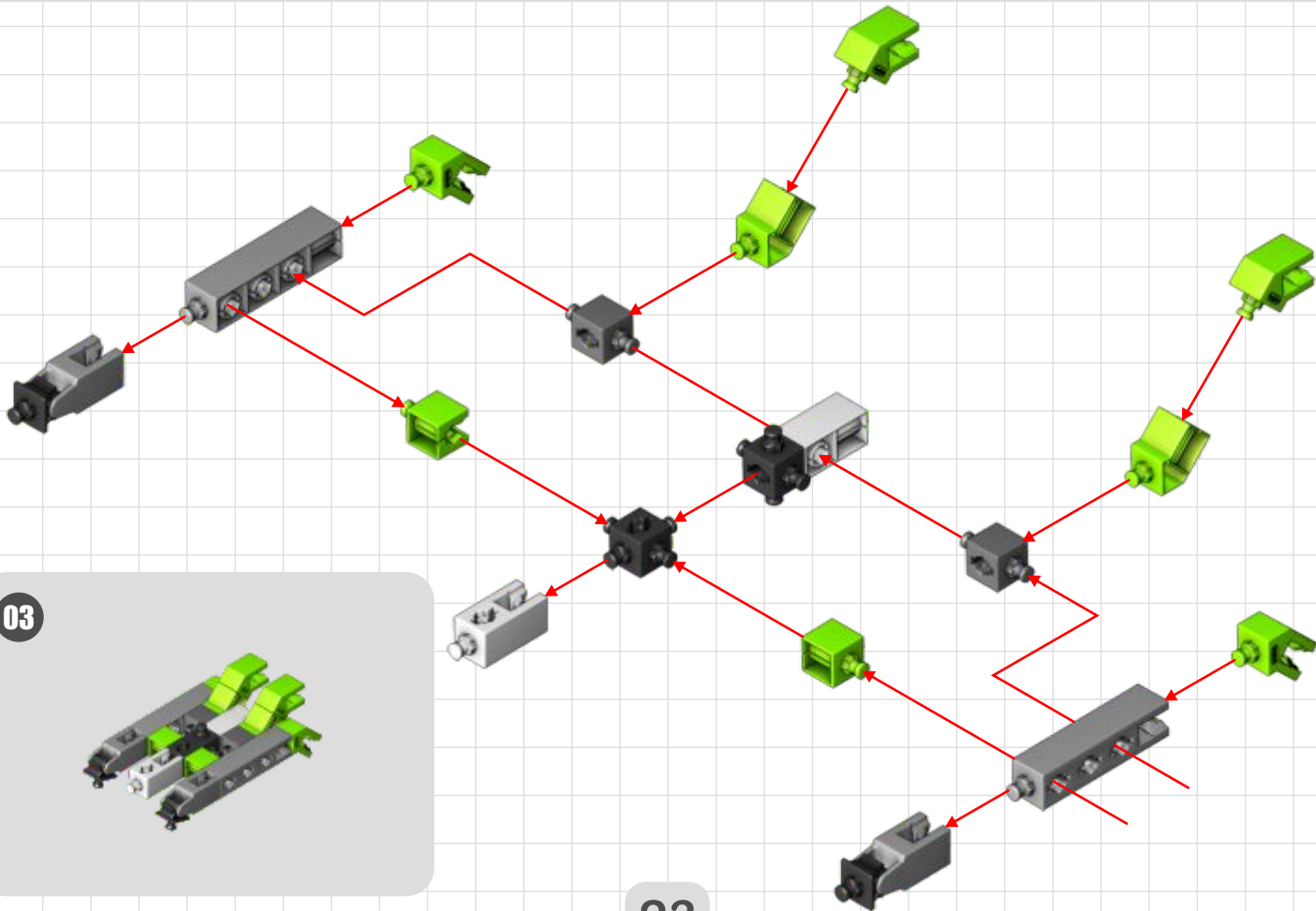
x4



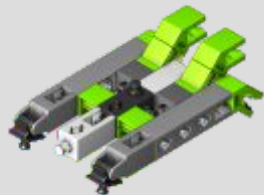


02

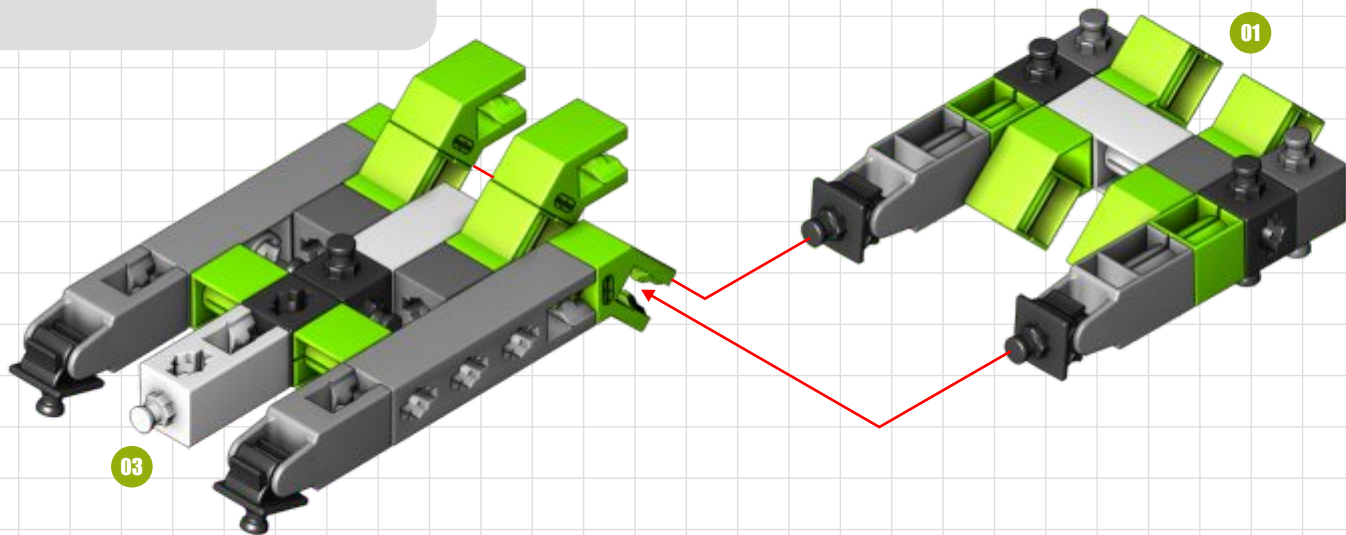
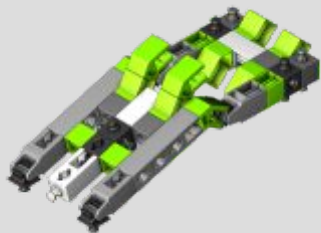




03

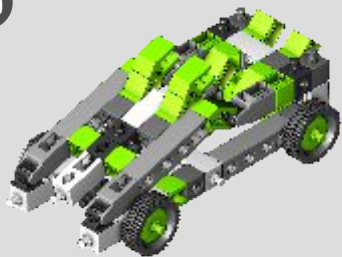


04

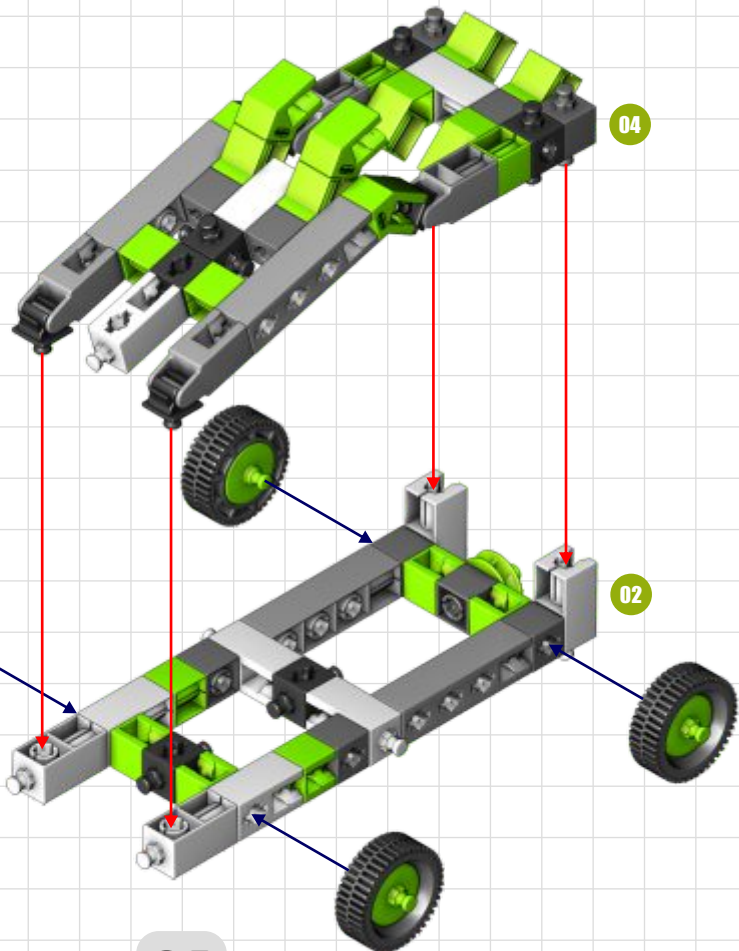
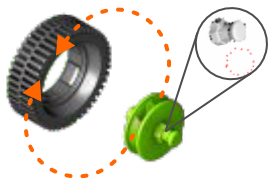


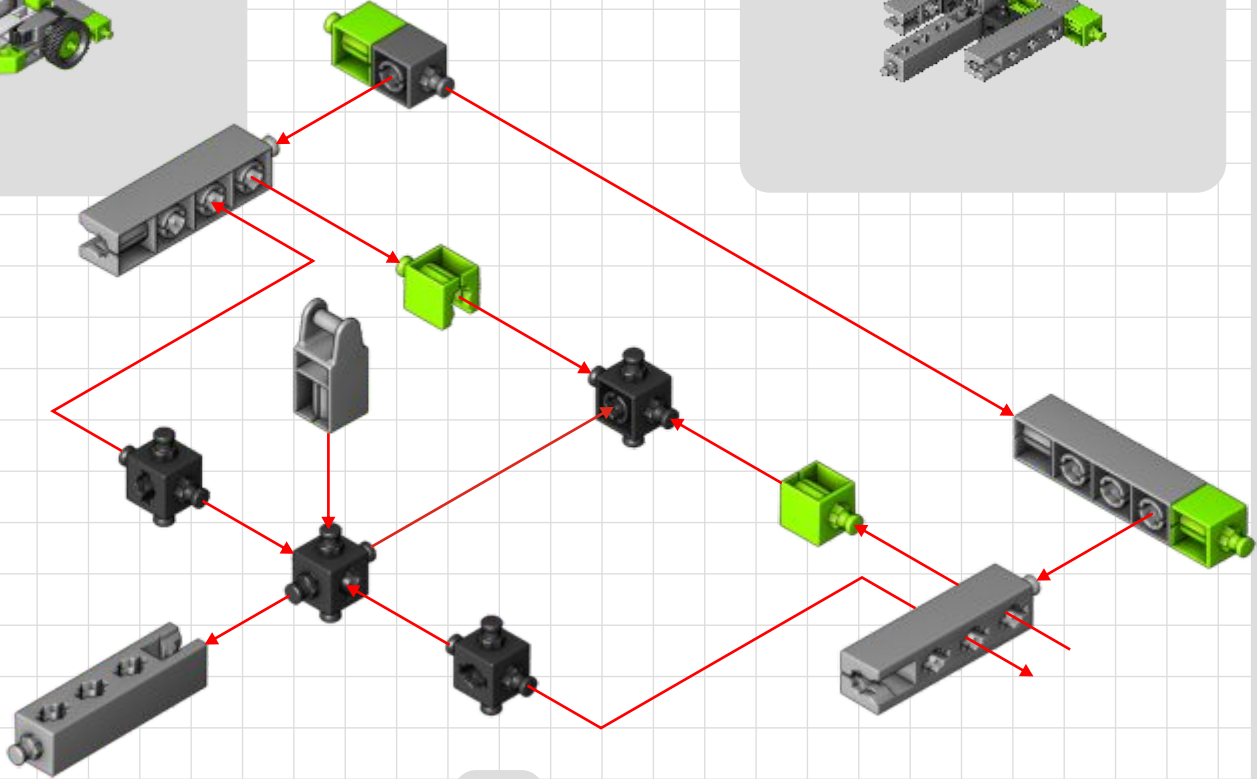
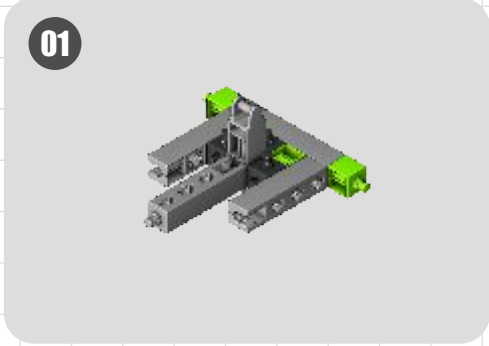
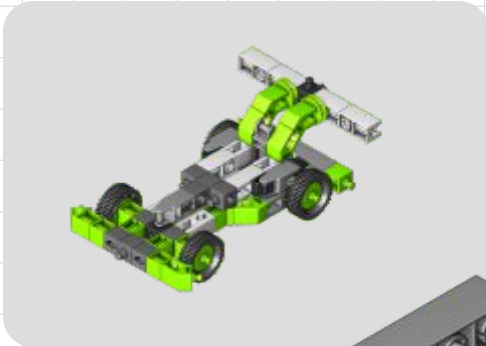


05

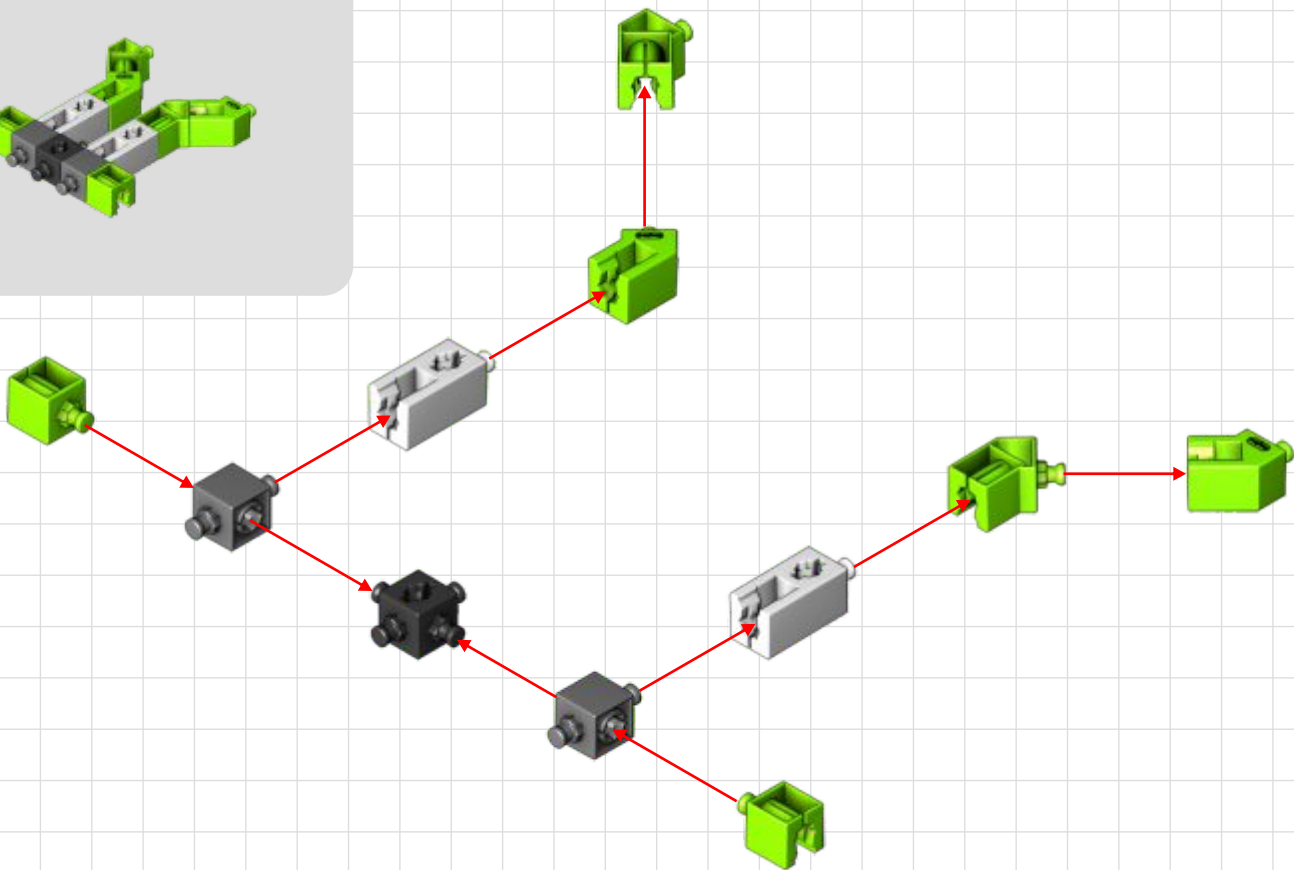
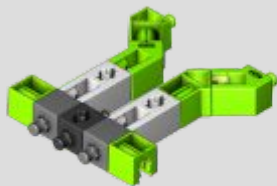


x4

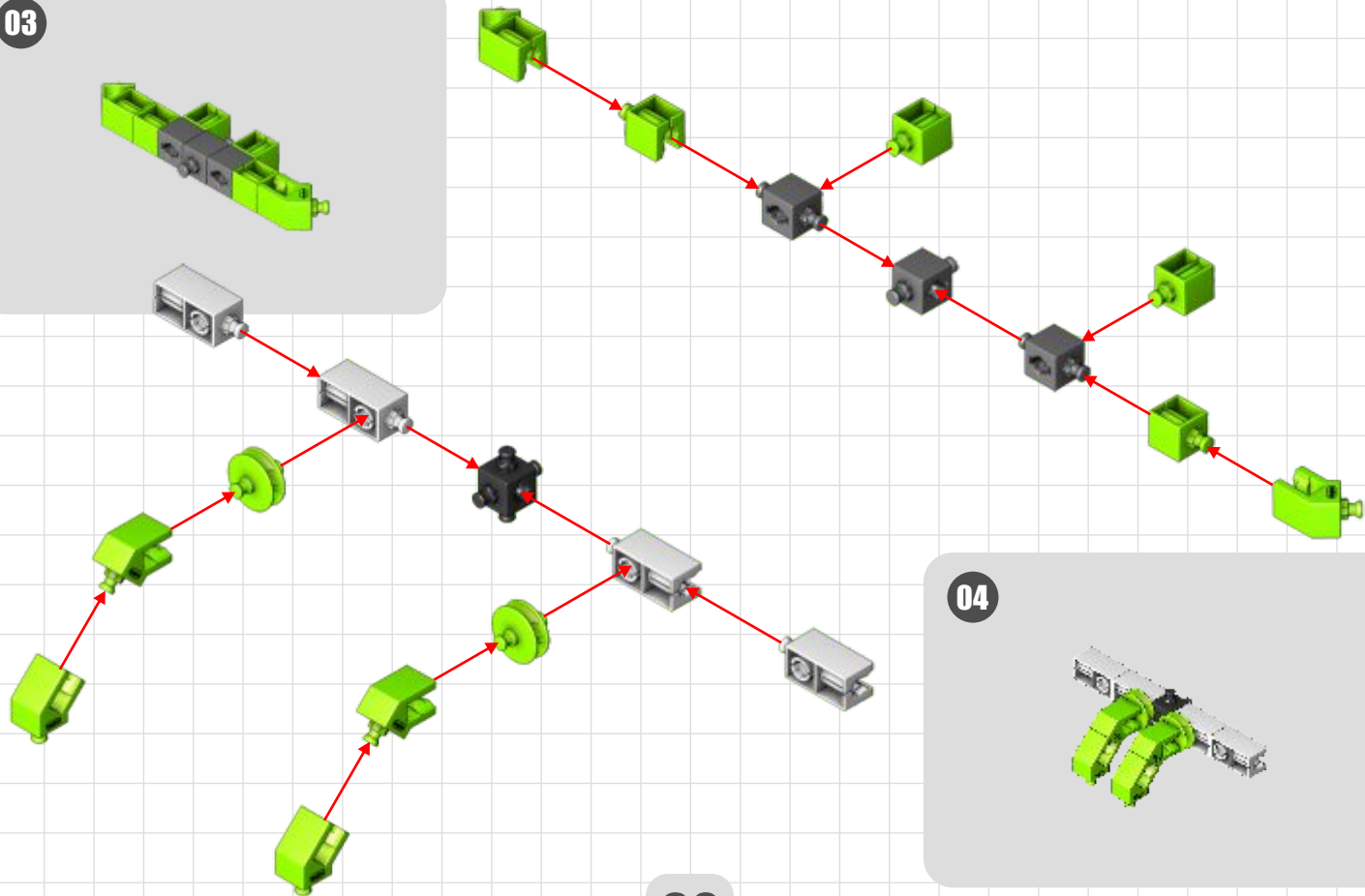
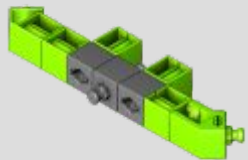




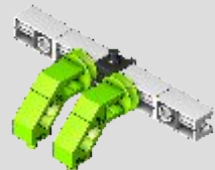
02



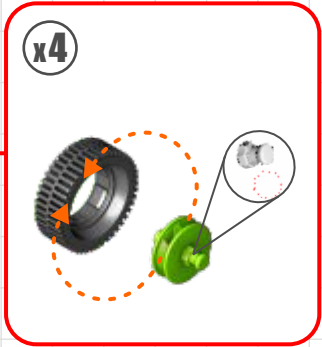
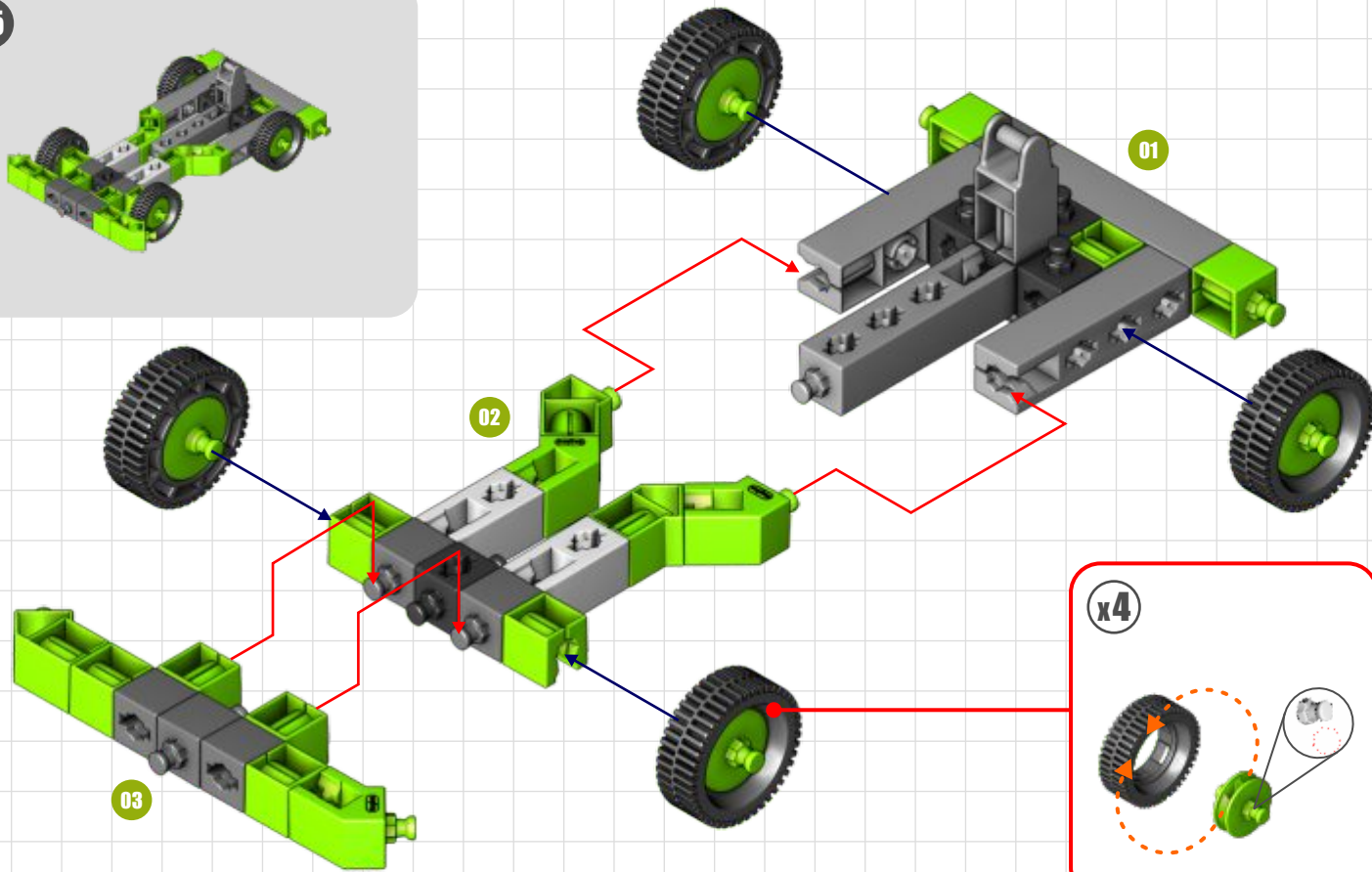
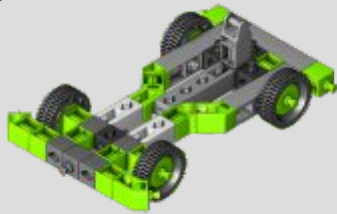
03



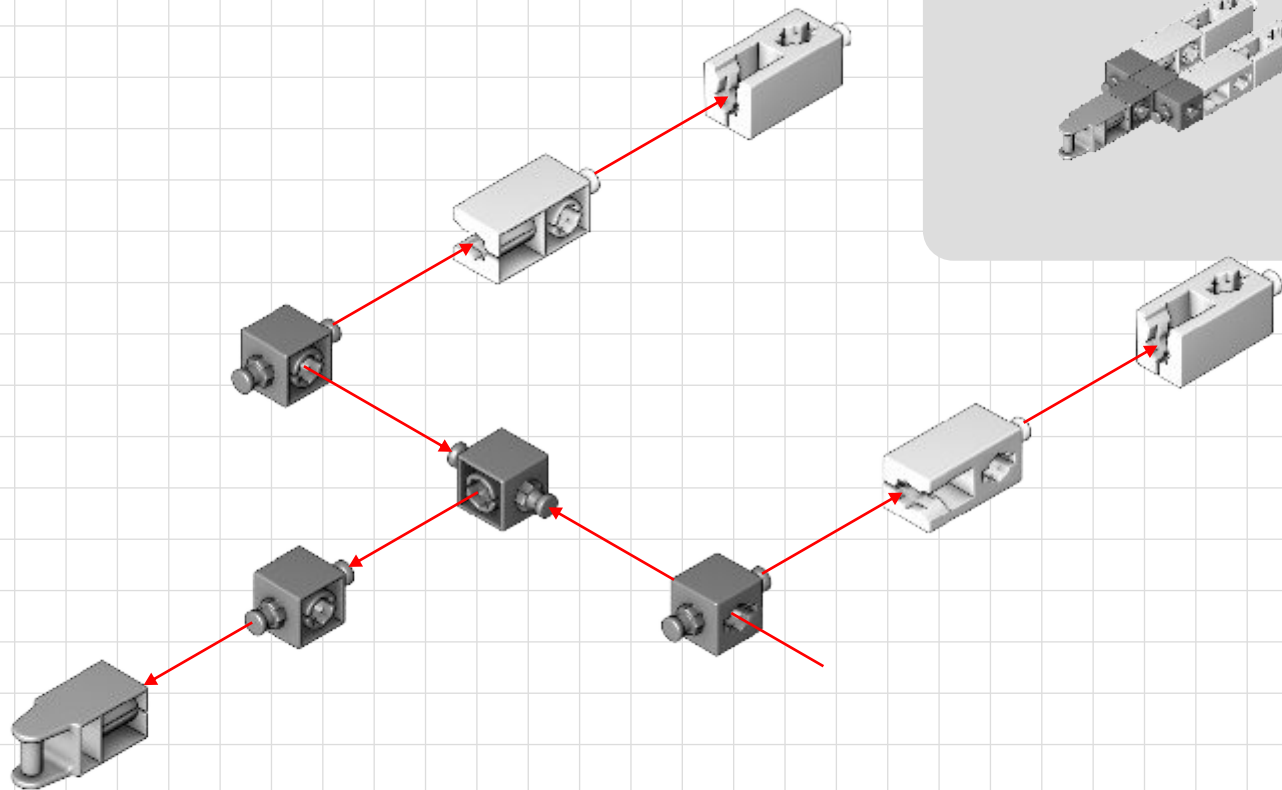
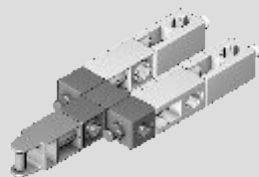
04



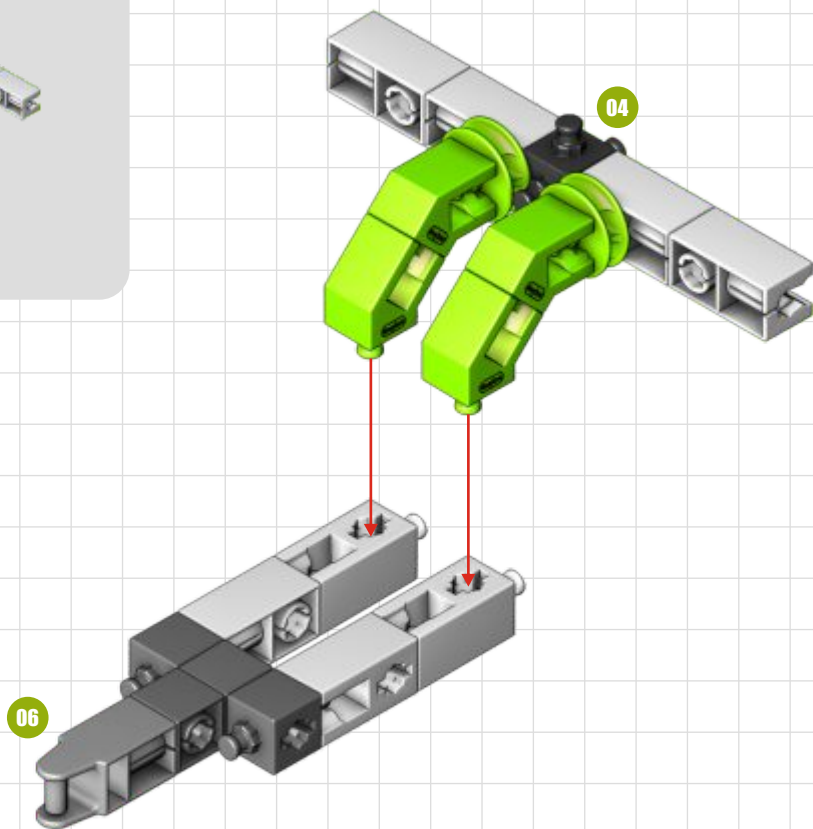
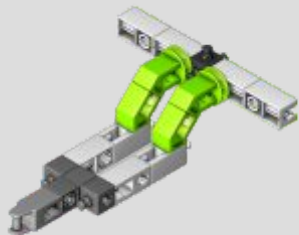
05



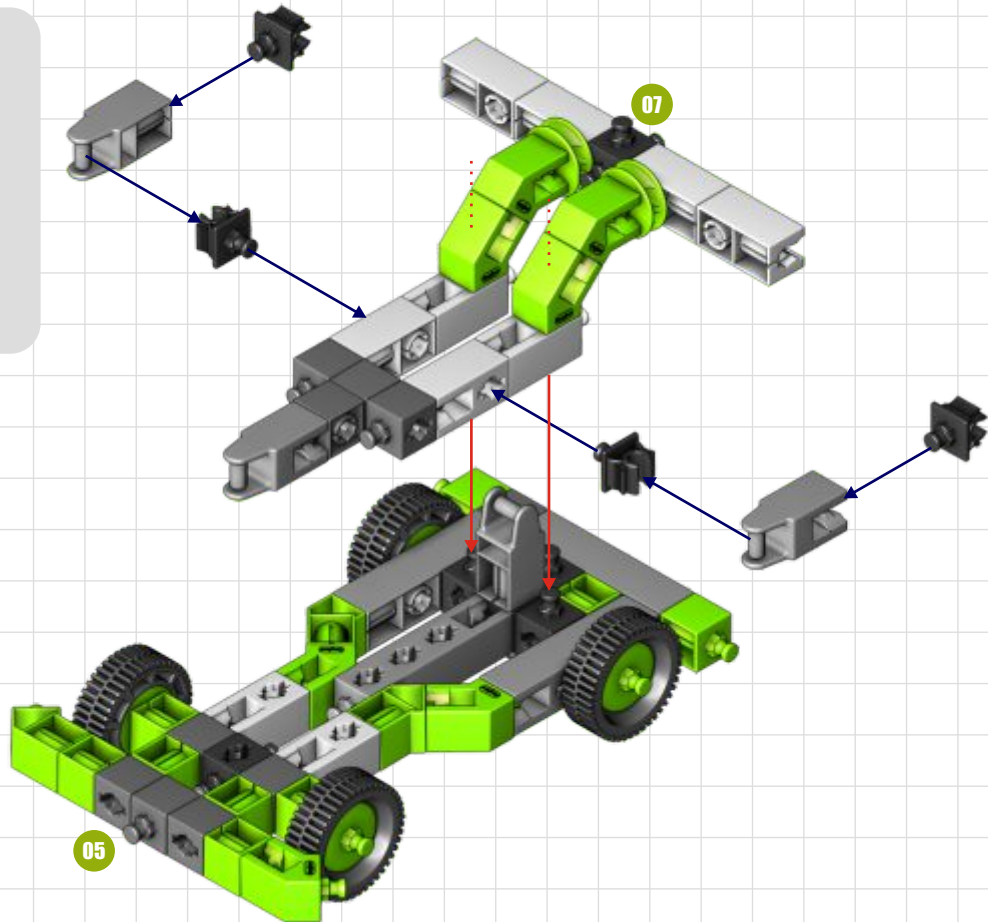
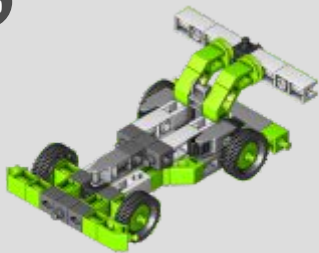
06



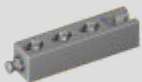
07



08







x2



x2



x1



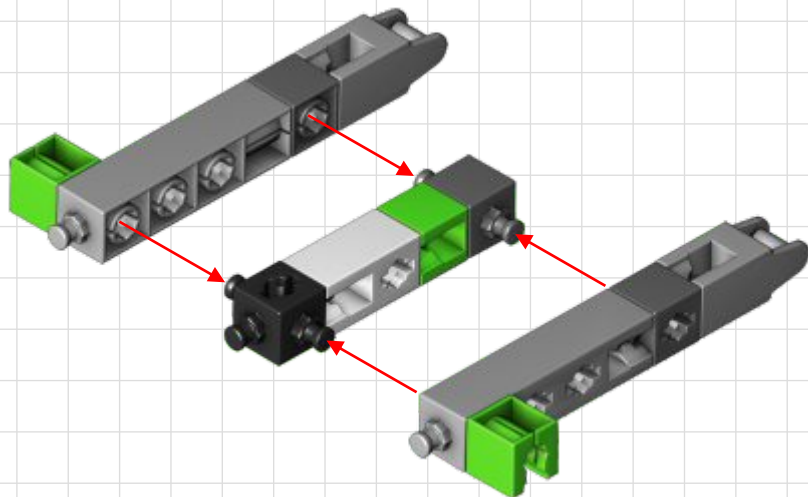
x1



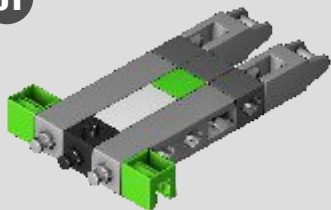
x3

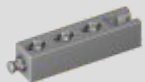


x3



01





x2



x2



x1



x4

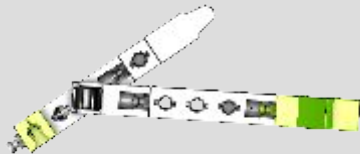
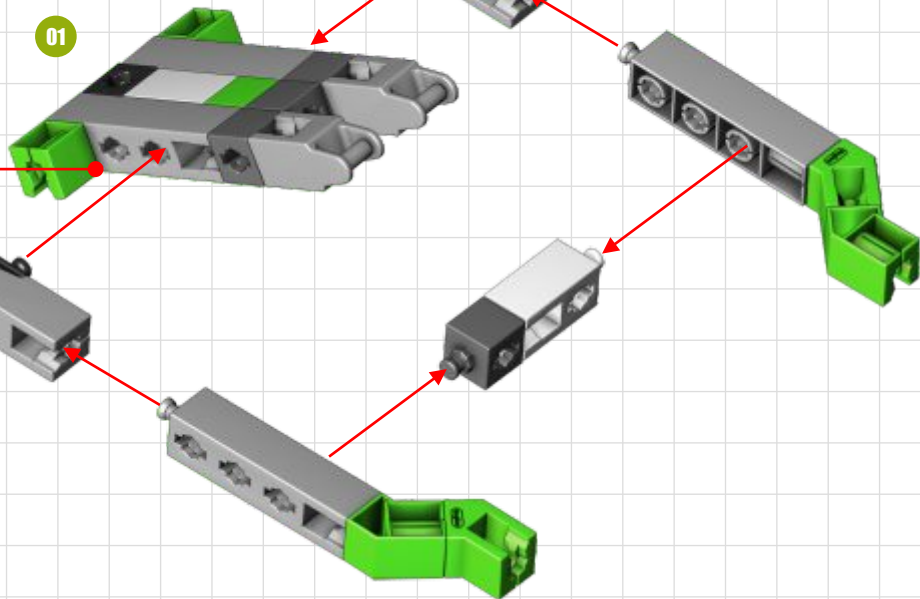


x1

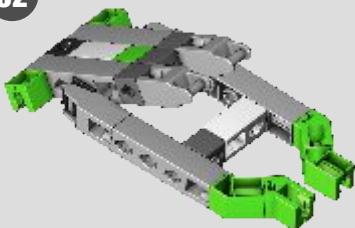


x2

01



02





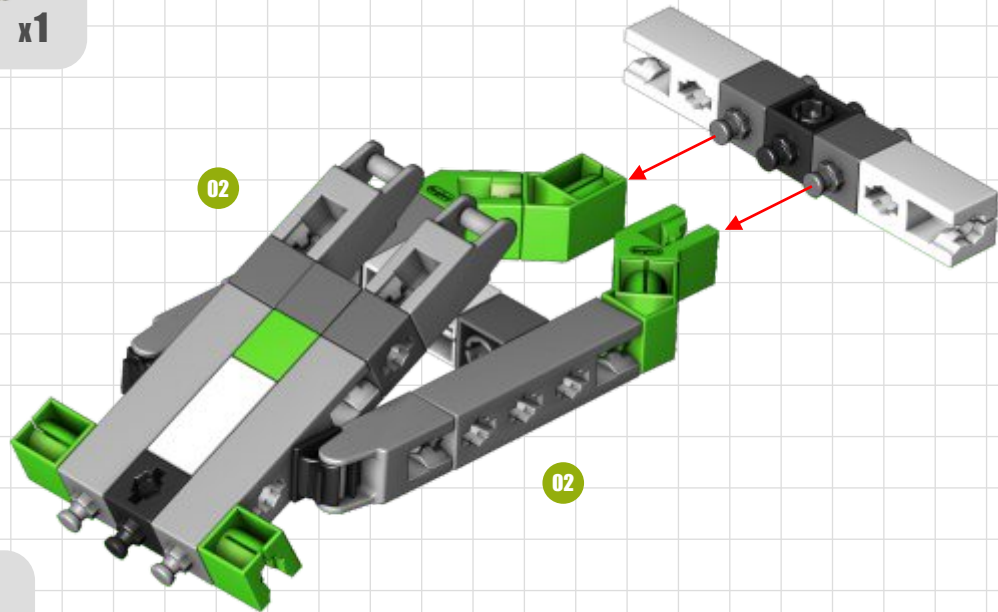
x2



x2



x1



03





x3



x1



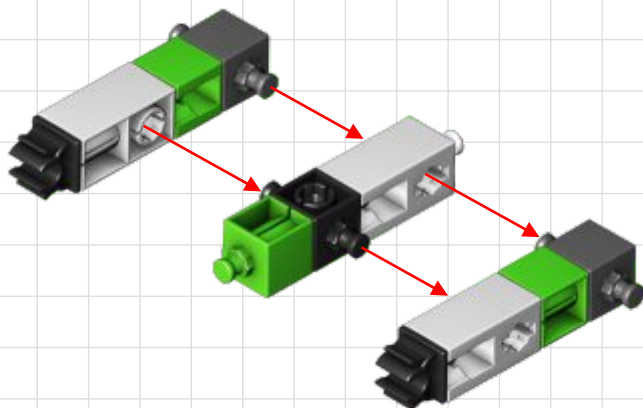
x3



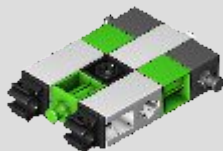
x2



x2



04

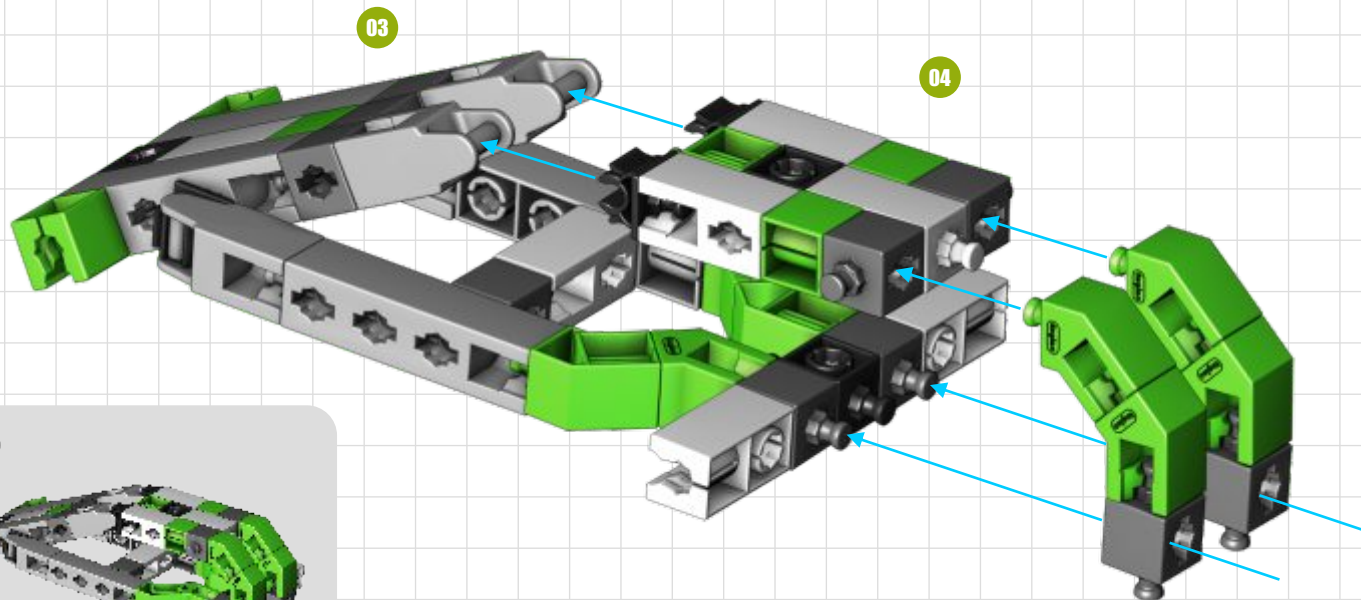




x4



x2



05





x4



x3



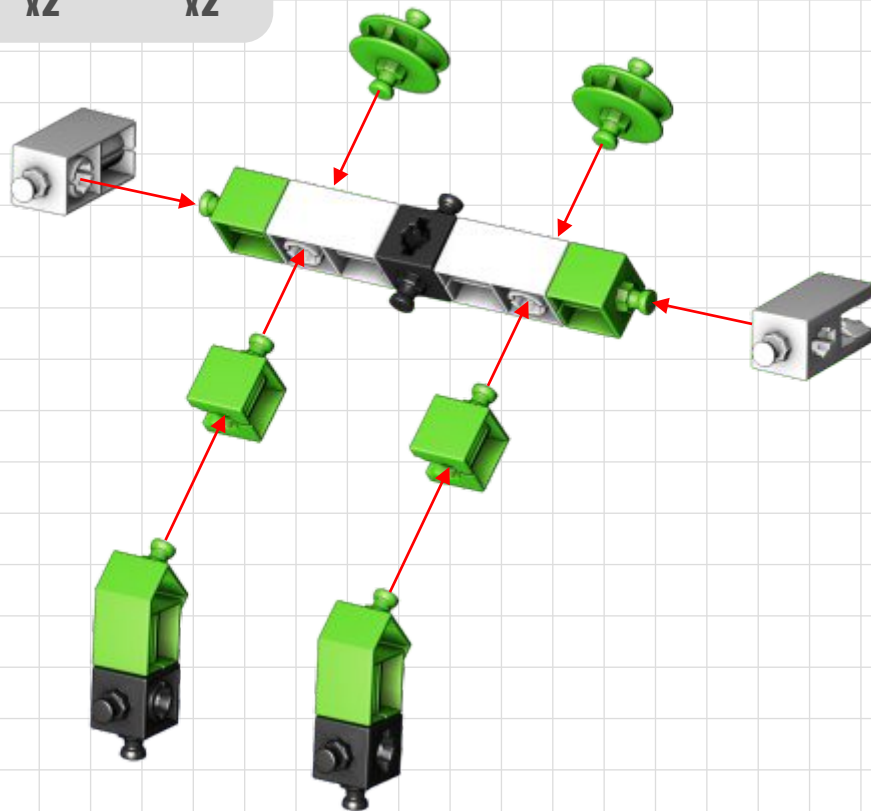
x4



x2

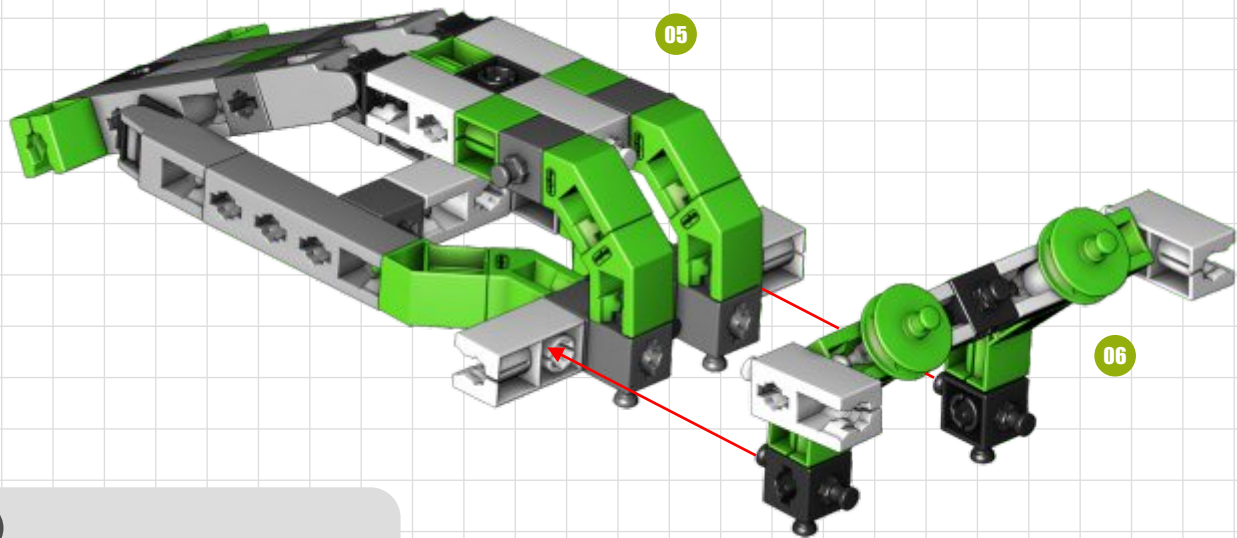


x2



06





07

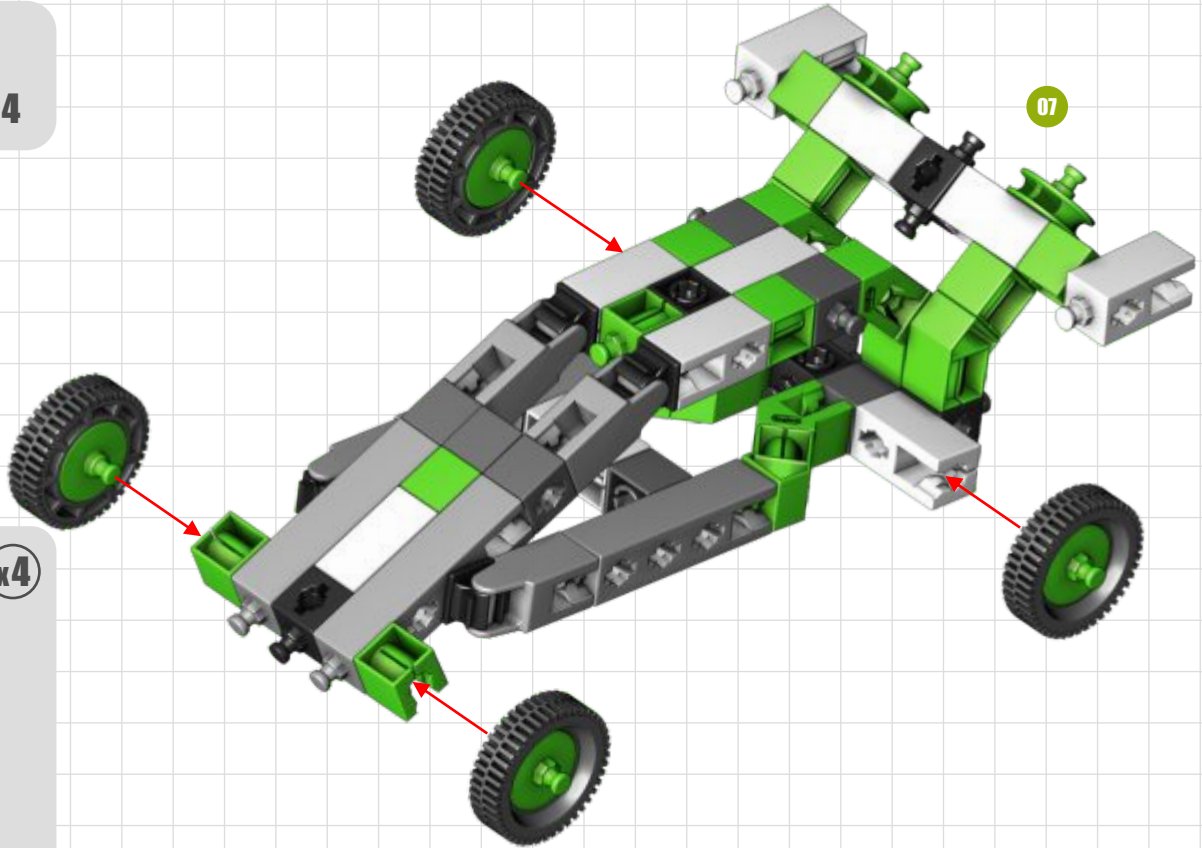




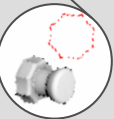
x4



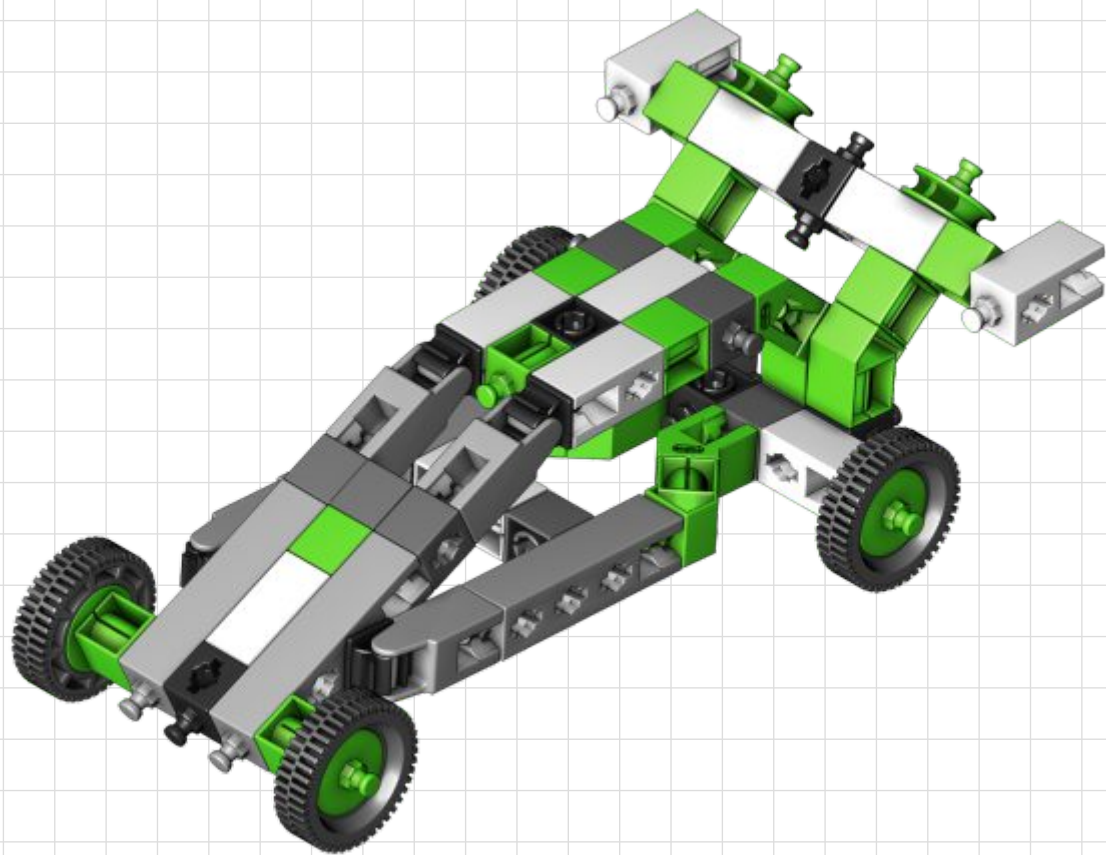
x4



x4









x2



x2



x2



x1



x2



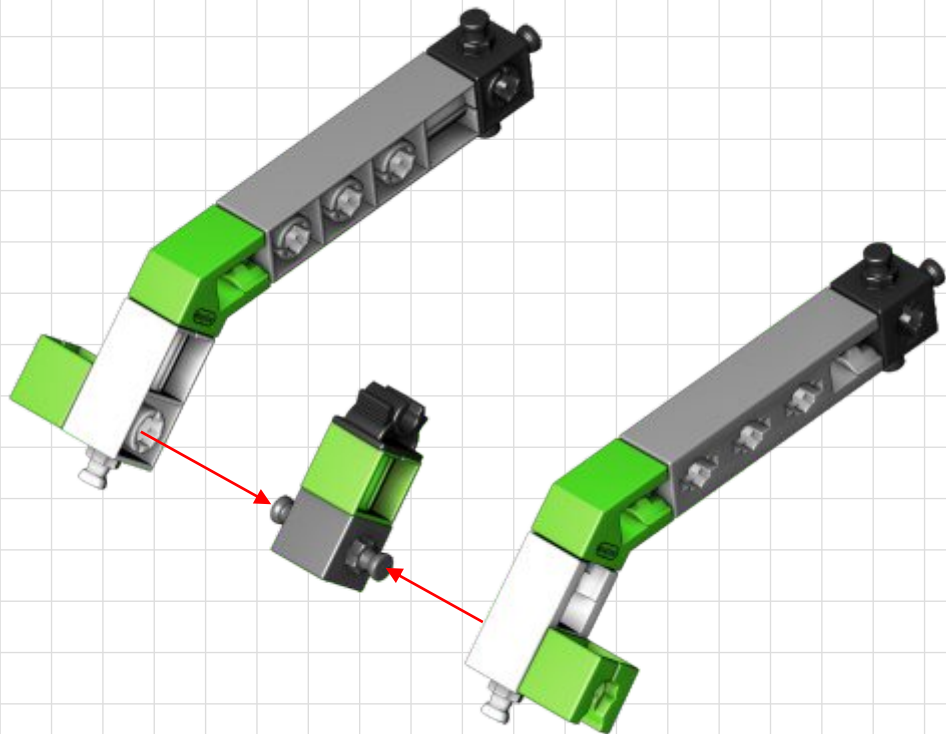
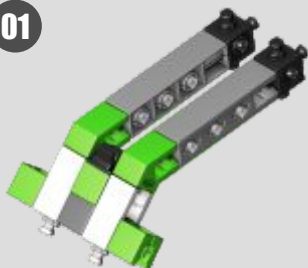
x3



x1



01





x2



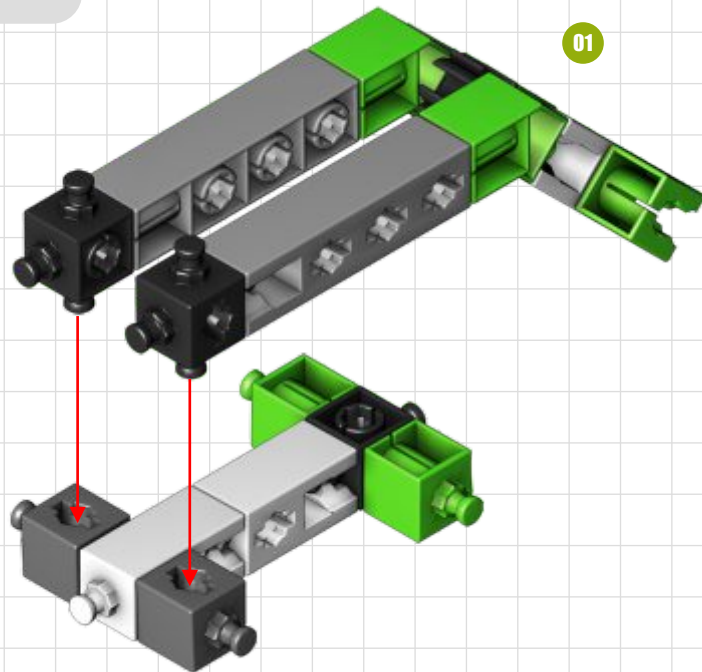
x1



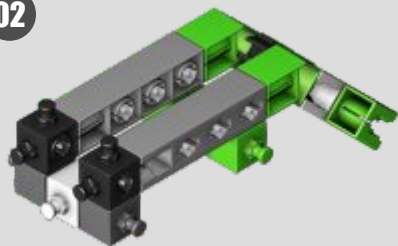
x2



x2



02





x1



x1

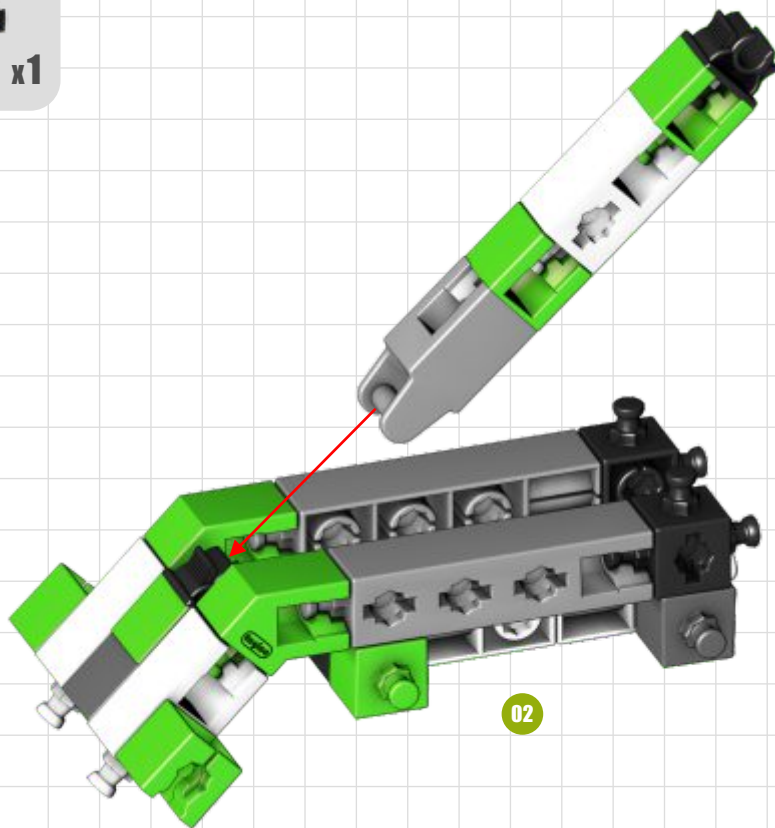
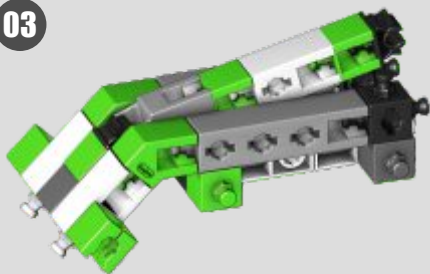


x2



x1

03



02



x1



x2

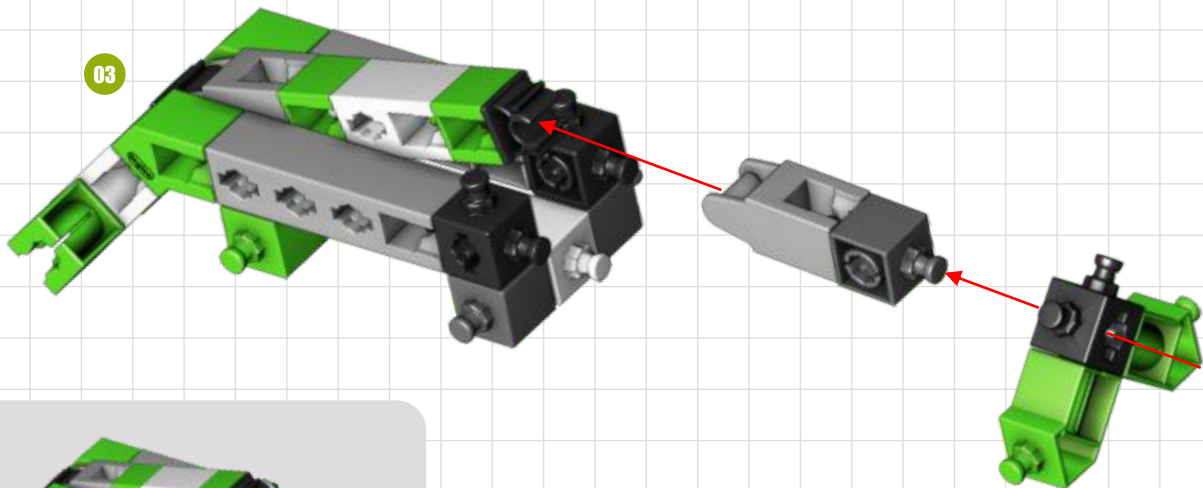


x1

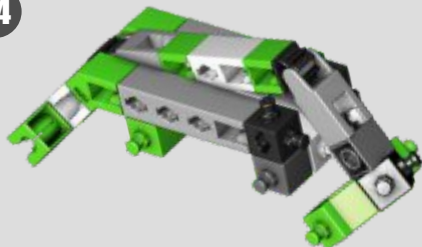


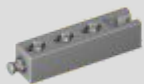
x1

03



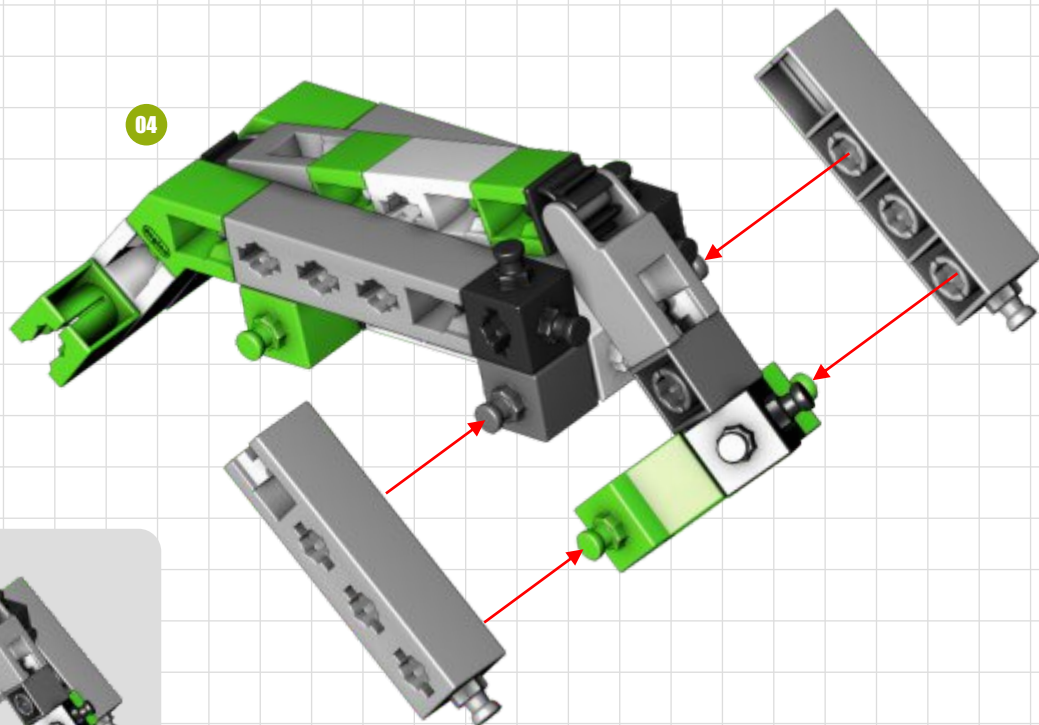
04



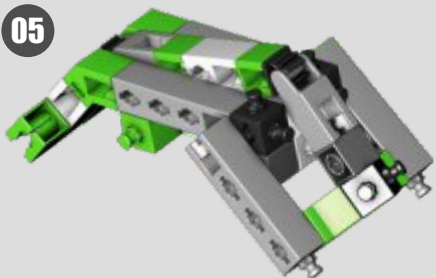


x2

04



05





x2



x4



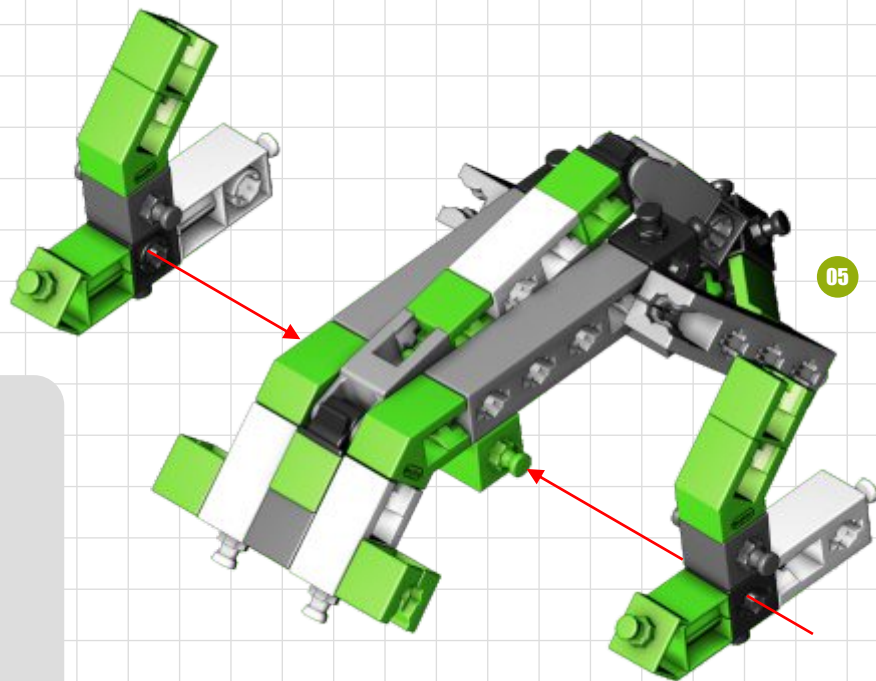
x2



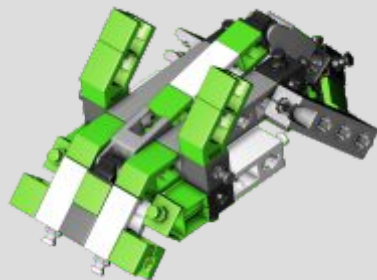
x2



x2



06





x2



x2



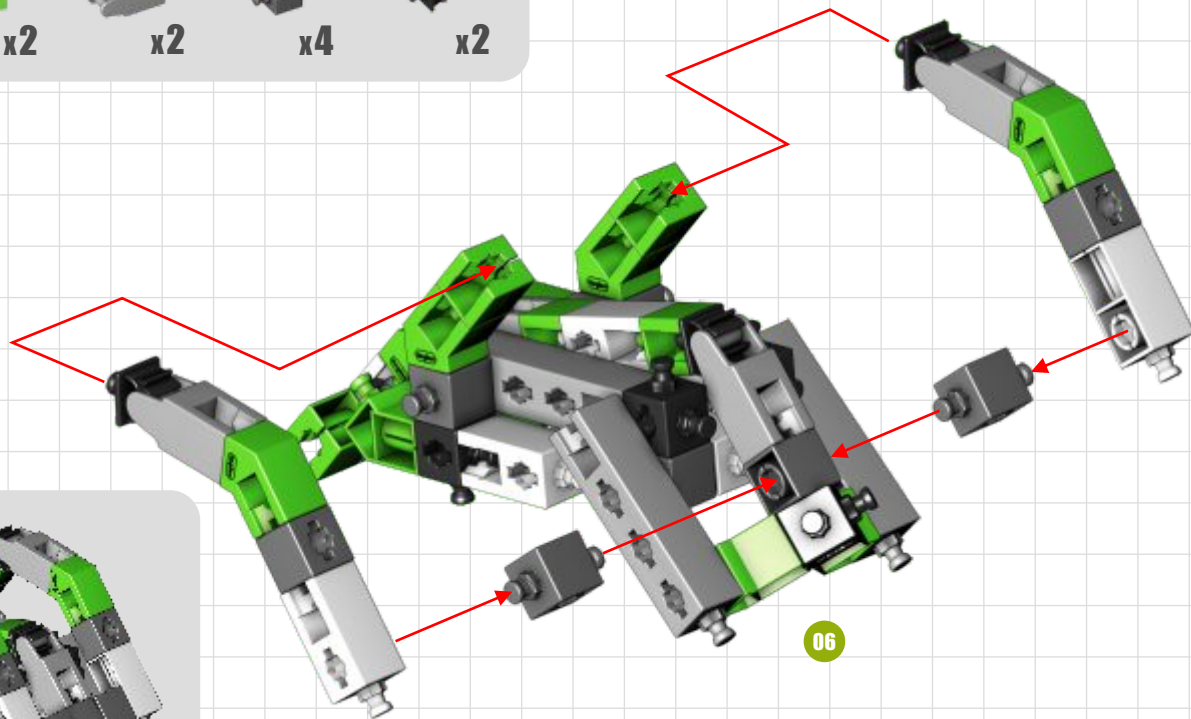
x2



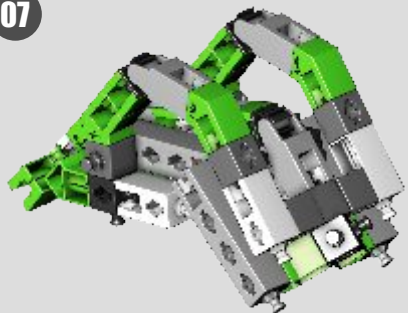
x4



x2



07



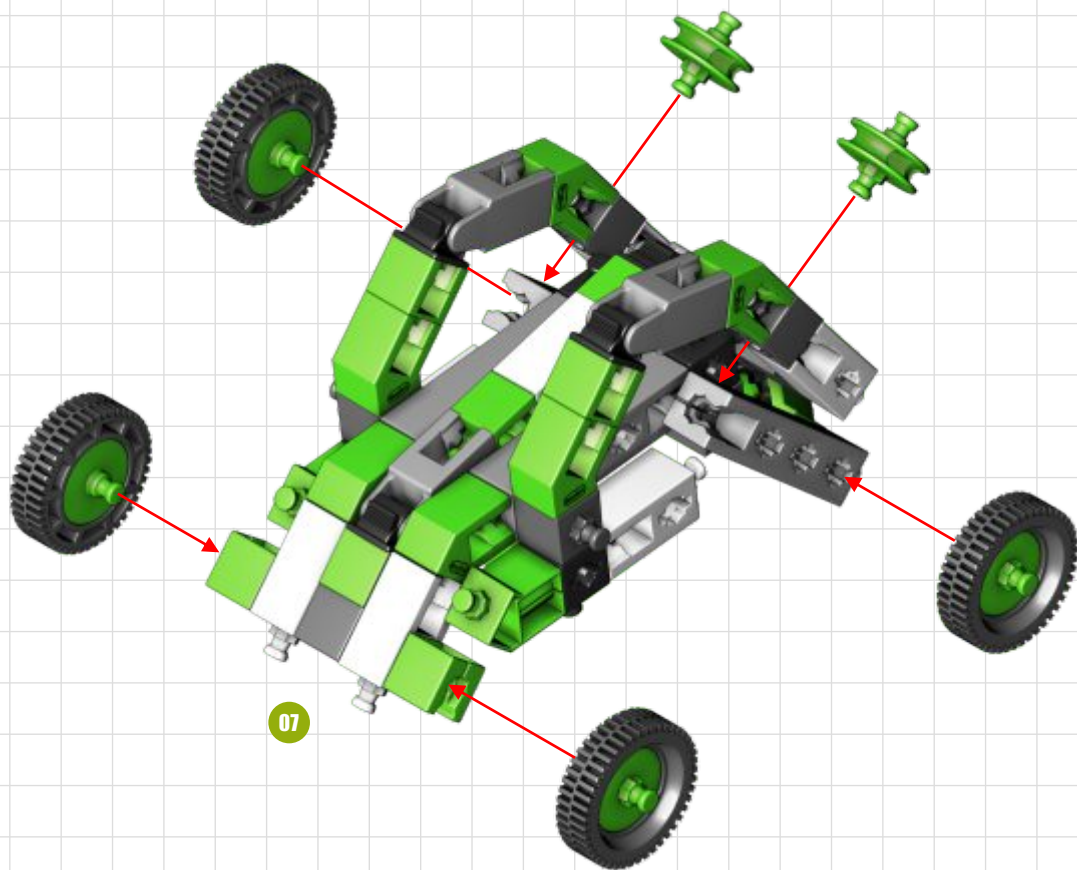




x4



x6



07



x4

